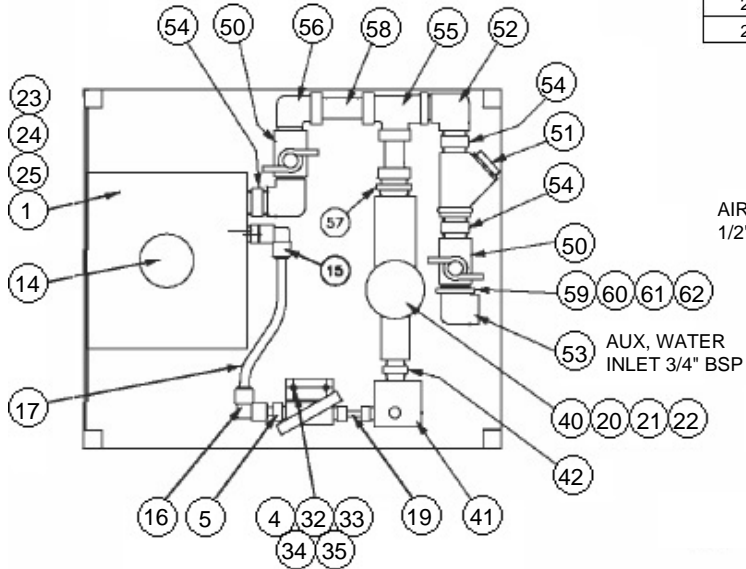
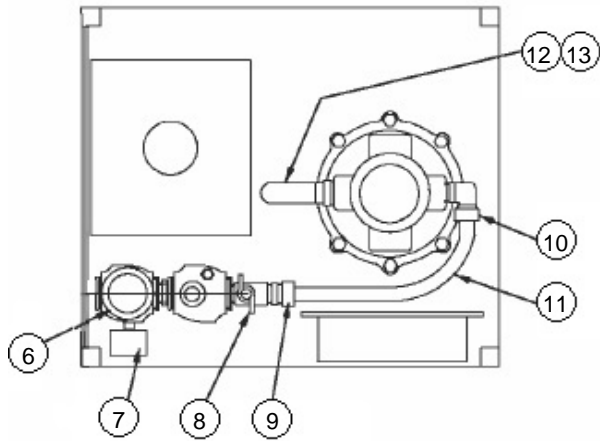
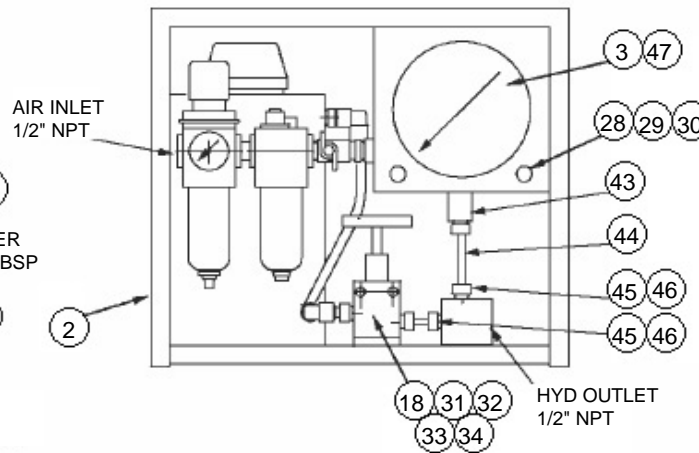


LAYOUT OF PNEUMATIC PIPEWORK



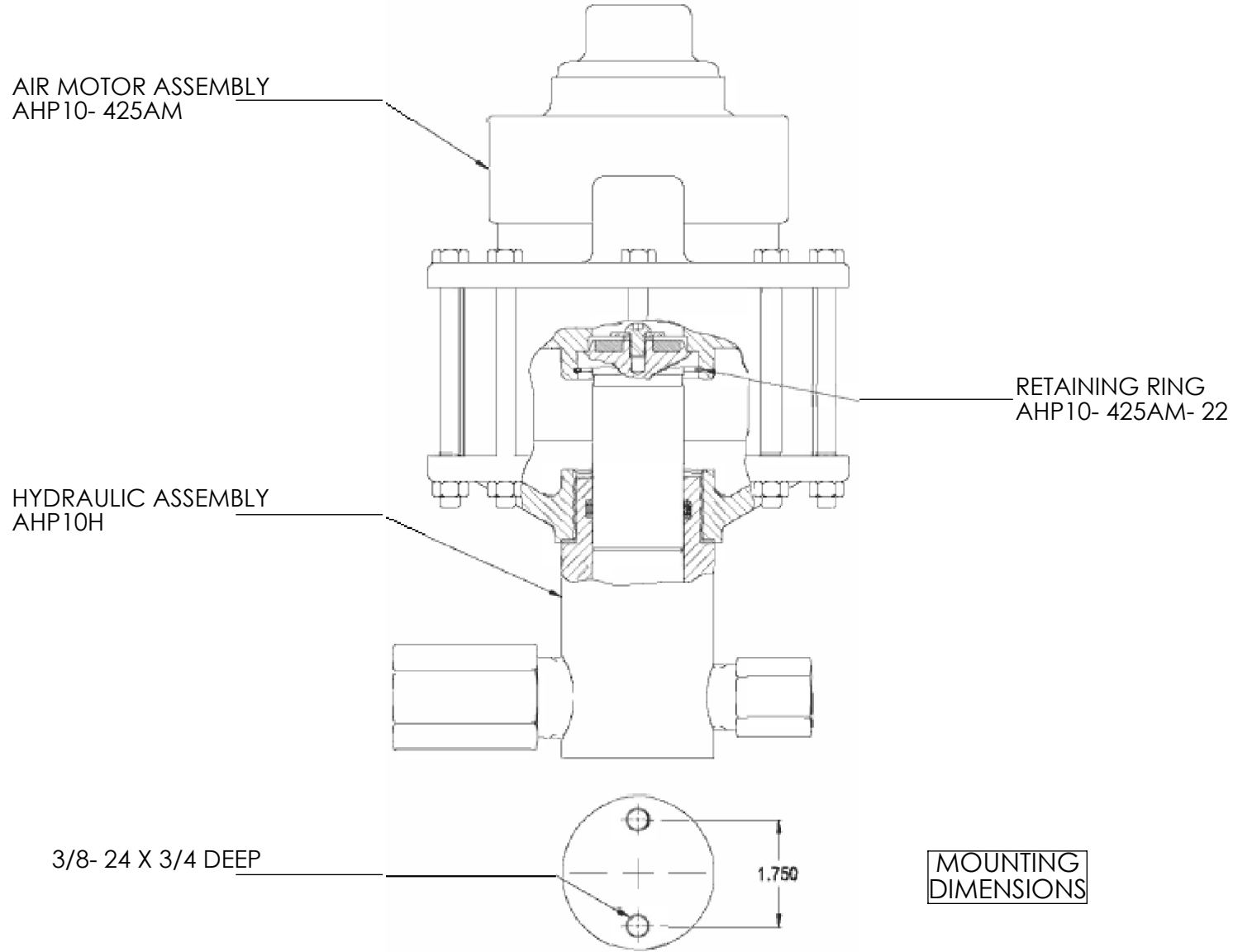
LAYOUT OF HYDRAULIC PIPEWORK

ITEM NO.	HI-FORCE PART NO.	DESCRIPTION	QTY
1	AHP10-425-1	7.5 LITRE TANK	1
2	AHP10-425-2	FRAME	1
3	AHP10-425-3	GAUGE GAURD	1
4	AHP10-425-4	VALVE BRACKET	1
5	AHP10-425-5	HM4 x 3/8 OD ADAPTOR	1
6	AHP10-425-6	FRL UNIT	1
7	AHP10-425-7	0-10 BAR AIR GAUGE 1/8 BSP	1
8	AHP10-425-8	AIR ON/OFF VALVE	1
9	AHP10-425-9	1/2" OD MALE COUPLING	1
10	AHP10-425-10	1/2" OD MALE ELBOW	1
11	AHP10-425-11	COPPER TUBE	1
12	AHP10-425-12	SILENCER	1
13	AHP10-425-13	REDUCING BUSH 3/4 - 1/2	1
14	AHP10-425-14	FILLER BREATHER	1
15	AHP10-425-15	3/8" OD x 3/8 BSPT MALE ELBOW	1
16	AHP10-425-16	3/8" OD EQUAL ELBOW	1
17	AHP10-425-17	3/8" OD NYLON TUBE	1
18	AHP10-275-18	PRESSURE RELEASE VALVE	1
19	AHP10-425-19	1/4" OD NIPPLE x 2.75 LONG	1
20	AHP10-425-20	HEX HEAD SET SCREW	2
21	AHP10-425-21	PLAIN WASHER	2
22	AHP10-425-22	SPRING WASHER	2

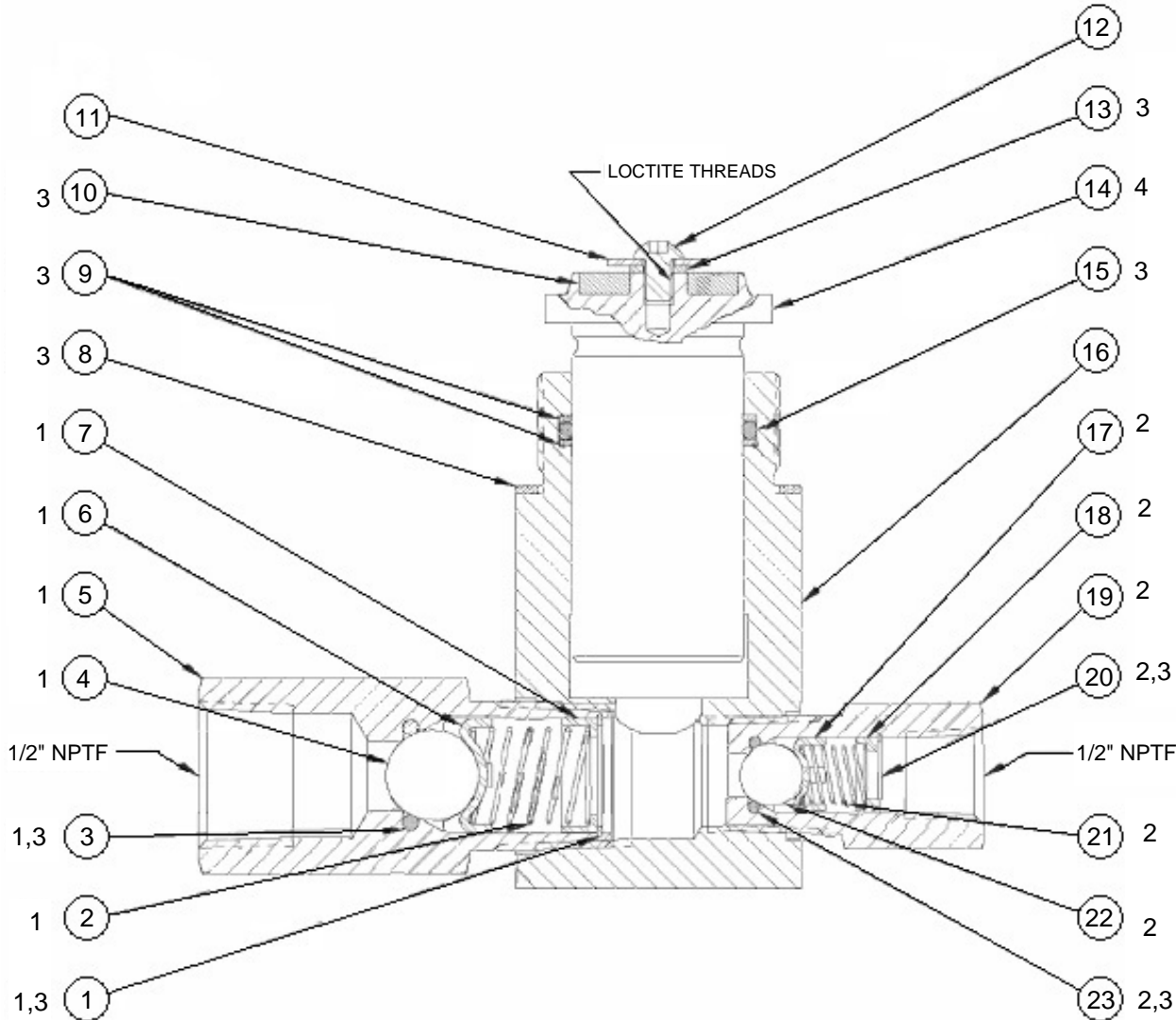


ITEM NO.	HI-FORCE PART NO.	DESCRIPTION	QTY
23	AHP10-425-23	HEX HEAD SET SCREW	2
24	AHP10-425-24	PLAIN WASHER	2
25	AHP10-425-25	SPRING WASHER	2
26	AHP10-425-26	LABEL	2
27	AHP10-425-27	LABEL DRIVE PIN	2
28	AHP10-425-28	BUTTON HEAD S/S SCREW	2
29	AHP10-425-29	S/S NUT	2
30	AHP10-425-30	S/S WASHER	2
31	AHP10-425-31	HEX HEAD S/S SCREW	2
32	AHP10-425-32	S/S NUT	4
33	AHP10-425-33	S/S PLAIN WASHER	8
34	AHP10-425-34	S/S SPRING WASHER	4
35	AHP10-425-35	HEX HEAD S/S SCREW	2
40	AHP10-40	PUMP - PAINTED RAL2002	1
41	AHP10-58-41	OUTLET BLOCK	1
42	AHP10-58-42	1/2" NPT S/S HEX NIPPLE	1
43	AHP10-107-43	GAUGE ADAPTOR HF4 x 1/2" NPT	1
44	AHP10-107-44	GAUGE PIPE NIPPLE 3"	1
45	AHP10-425-45	GLAND NUT	2
46	AHP10-425-46	COLLAR	2
47	AHP10-47	GAUGE	1
50	AHP10-26-50	BALL VALVE	2
51	AHP10-26-51	BRASS Y TYPE STRAINER	1
52	AHP10-107-52	SWIVEL ELBOW 1/2"	1
53	AHP10-53	3/4" BSP EQUAL ELBOW	2
54	AHP10-54	BRASS HEX NIPPLE	3
55	AHP10-55	3/4" BSP FEMALE RUN TEE	1
56	AHP10-56	3/4" BSP MALE ELBOW	1
57	AHP10-57	1" BSP x 22mm O/D MSC	1
58	AHP10-58	COPPER TUBE	2
59	AHP10-26-59	1 1/2" U CLAMP - M6	1
60	AHP10-26-60	M6 NUT	2
61	AHP10-26-61	M6 PLAIN WASHER	2
62	AHP10-26-62	M6 SPRING WASHER	2

**IMPORTANT**  
WHEN ORDERING SPARES YOU MUST STATE THE FULL PART NUMBER AND THE PRODUCT SERIAL NUMBER - FROM THE LABEL TO PROTECT YOUR WARRANTY ALWAYS USE GENUINE HI-FORCE PARTS.



**IMPORTANT**  
WHEN ORDERING SPARES YOU MUST STATE THE FULL PART NUMBER AND THE  
PRODUCT SERIAL NUMBER - FROM THE LABEL  
TO PROTECT YOUR WARRANTY ALWAYS USE GENUINE HI-FORCE PARTS.



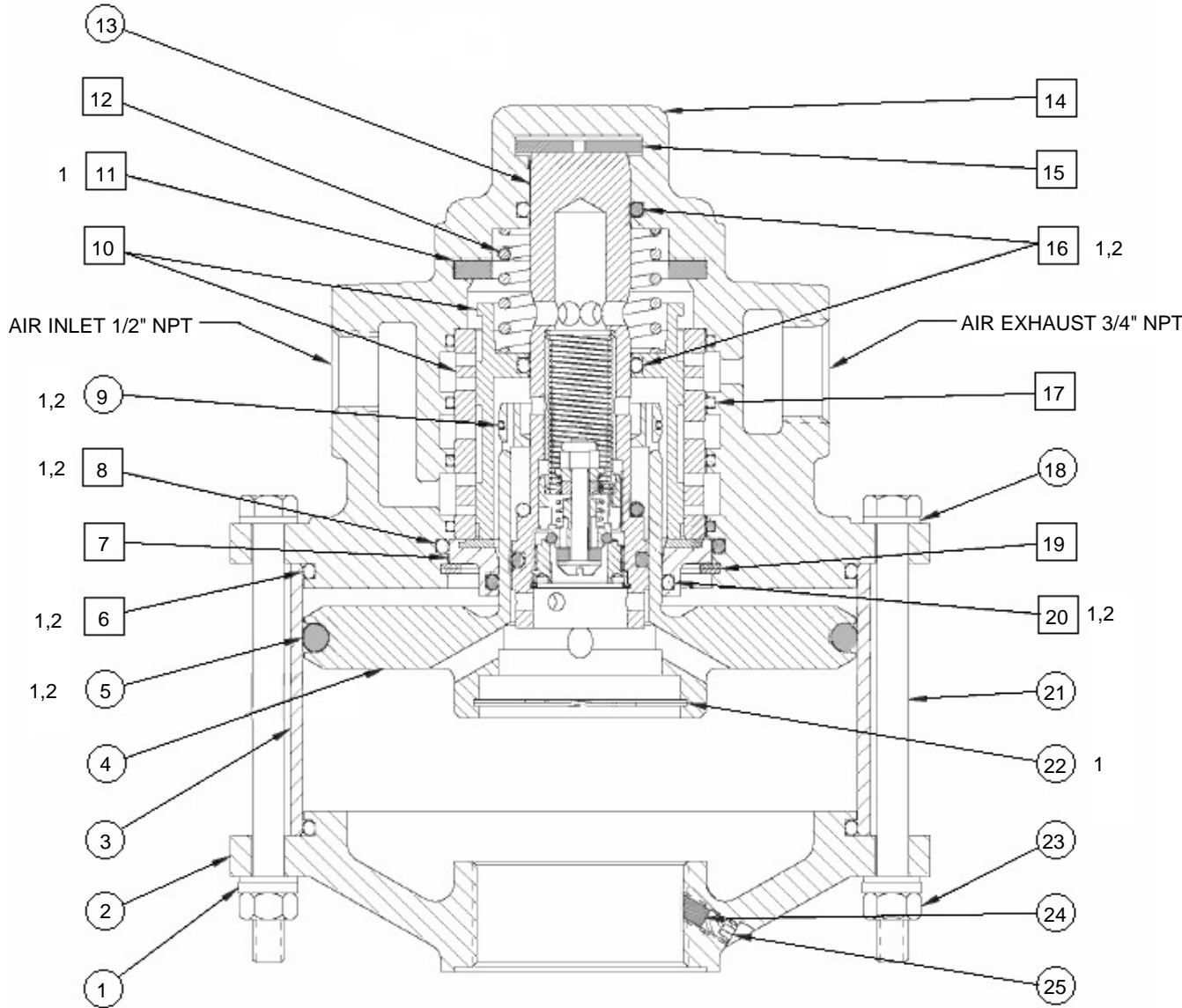
ITEM	HI-FORCE PART NUMBER	DESCRIPTION
	AHP10H	HYDRAULIC ASSEMBLY - COMPLETE
	AHP10-HK	HYDRAULIC REPAIR KIT
1	AHP10H-1	RETAINING RING
2	AHP10H-2	SPRING
3	AHP10H-3	O-RING
4	AHP10H-4	CHECK BALL
5	AHP10H-5	SEAT - INLET
5A	<b>AHP10H-5A</b>	<b>INLET CHECK VALVE ASSY</b>
6	AHP10H-6	BALL GUIDE
7	AHP10H-7	SPRING GUIDE
8	AHP10-425H-8	GASKET
9	AHP10H-9	BACK UP RING
10	AHP10-425H-10	PISTON BUMPER
11	AHP10-425H-11	FENDER WASHER
12	AHP10-425H-12	BUTTON HEAD CAP SCREW
13	AHP10H-13	HELICAL SPRING LOCK WASHER
14	AHP10H-14	HYDRAULIC PISTON
15	AHP10H-15	O-RING
16	AHP10H-16	HYDRAULIC CYLINDER
17	AHP10H-17	BALL GUIDE
18	AHP10H-18	SPRING GUIDE
19	AHP10H-19	SEAT - OUTLET
19A	<b>AHP10H-19A</b>	<b>OUTLET CHECK VALVE ASSY</b>
20	AHP26-107H-1	RETAINING RING
21	AHP26-107H-2	SPRING
22	AHP10-22	CHECK BALL
23	AHP10-23	O -RING

3. INCLUDED IN AHP10-HK  
2. INCLUDED IN AHP10H-5A  
1. INCLUDED IN AHP10H-19A

\* REPRESENTS HYDRAULIC ASSEMBLY MODEL NUMBER

**IMPORTANT**

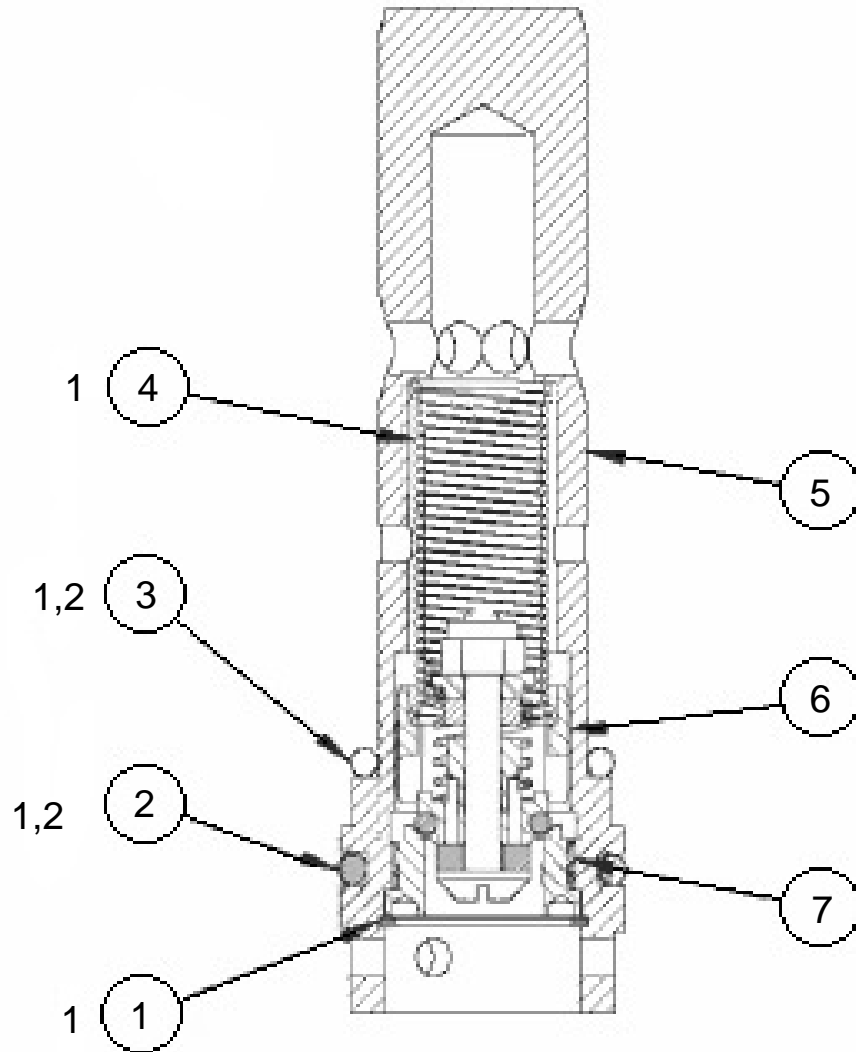
WHEN ORDERING SPARES YOU MUST STATE THE FULL PART NUMBER AND THE PRODUCT SERIAL NUMBER - FROM THE LABEL TO PROTECT YOUR WARRANTY ALWAYS USE GENUINE HI-FORCE PARTS.



ITEM	HI-FORCE PART NUMBER	DESCRIPTION	QTY
1	AHP10-425AM-1	WASHER - LOCK	8
2	AHP10-425AM-2	END	1
3	AHP10-425AM-3	CYLINDER AIR	1
4	AHP10-425AM-4	PISTON AIR	1
5	AHP10-425AM-5	O - RING	1
6	AHP10-425AM-6	O - RING	2
7	AHP10-425AM-7	BEARING ASSEMBLY	1
8	AHP10-425AM-8	O-RING	1
9	AHP10-425AM-9	SPRING	1
10	AHP10-425AM-10	APA VALVE ASSY	1
11	AHP10-425AM-11	BUMPER	1
12	AHP10-425AM-12	SPRING	1
13	AHP10-425AM-13	PILOT VALVE ASSY	1
14	AHP10-425AM-14	HEAD	1
15	AHP10-425AM-15	BUMPER	1
16	AHP10-425AM-16	O - RING	2
17	AHP10-425AM-17	O - RING	4
18	AHP10-425AM-18	WASHER - FLAT	16
19	AHP10-425AM-19	RETAINING RING	1
20	AHP10-425AM-20	O - RING	1
21	AHP10-425AM-21	BOLT - HEX	8
22	AHP10-425AM-22	RETAINING RING	1
23	AHP10-425AM-23	NUT - HEX	8
24	AHP10-425AM-24	PLUG - BUNA	1
25	AHP10-425AM-25	SET SCREW-HEX SOCKET	1
	<b>AHP10-425AM-K</b>	<b>SEAL KIT</b>	
	<b>AHP10-425AM-RK</b>	<b>REPAIR KIT</b>	
	<b>AHP10-425AM</b>	<b>COMPLETE AIR MOTOR</b>	
	<b>AHP10-425AM-HD</b>	<b>AIR MOTOR COMPLETE HEAD</b>	

**IMPORTANT**

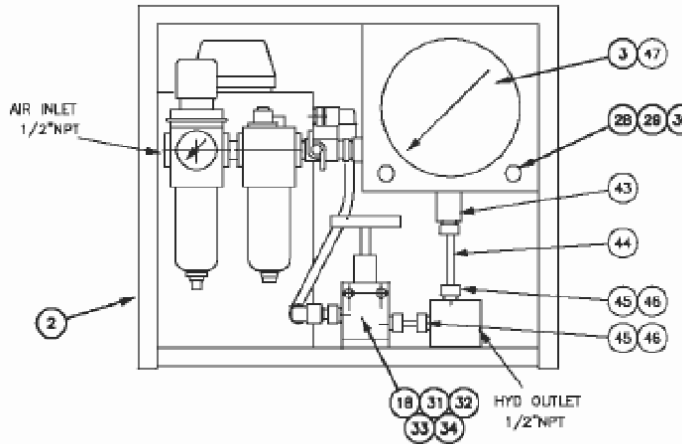
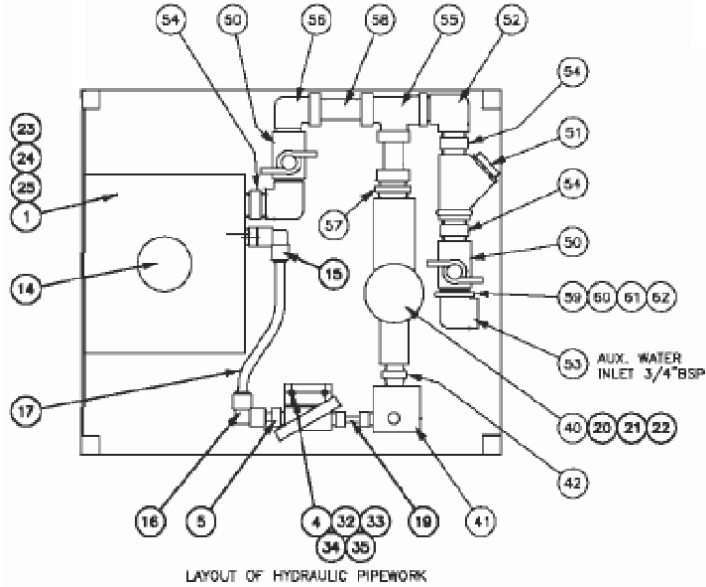
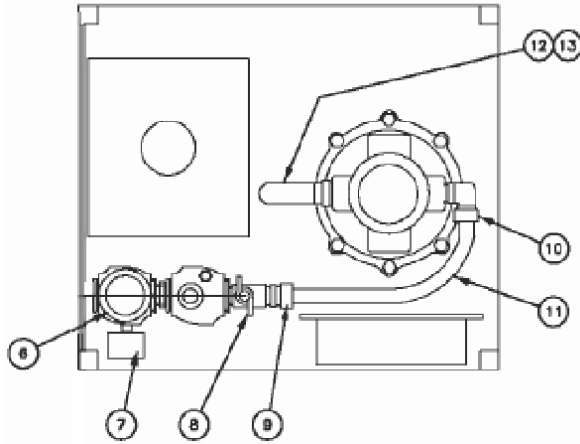
WHEN ORDERING SPARES YOU MUST STATE THE FULL PART NUMBER AND THE PRODUCT SERIAL NUMBER - FROM THE LABEL TO PROTECT YOUR WARRANTY ALWAYS USE GENUINE HI-FORCE PARTS.



ITEM	HI-FORCE PART NUMBER	DESCRIPTION	QTY
1	AHP10-425PV-1	RETAINING RING	1
2	AHP10-425PV-2	O - RING	1
3	AHP10-425PV-3	O - RING	1
4	AHP10-425PV-4	SPRING	1
5	AHP10-425PV-5	VALVE BODY	1
6	AHP10-425PV-6	AIR CHECK ASSY	1
7	AHP10-425PV-7	SEAT	1

**IMPORTANT**  
WHEN ORDERING SPARES YOU MUST STATE THE FULL PART NUMBER AND THE  
PRODUCT SERIAL NUMBER - FROM THE LABEL  
TO PROTECT YOUR WARRANTY ALWAYS USE GENUINE HI-FORCE PARTS.

LAYOUT OF PNEUMATIC PIPEWORK



Item	HI-FORCE Part Number	Description	Qty
1	AHP 10-425-1	7.5 LITRE TANK	1
2	AHP 10-425-2	FRAME	1
3	AHP 10-425-3	GAUGE GUARD	1
4	AHP 10-425-4	VALVE BRACKET	1
5	AHP 10-425-5	HM4 x 3/8 OD ADAPTOR	1
6	AHP 10-425-6	FRL UNIT	1
7	AHP 10-425-7	0-10 BAR AIR GAUGE 1/8 BSP	1
8	AHP 10-425-8	AIR ON/OFF VALVE	1
9	AHP 10-425-9	1/2" OD MALE COUPLING	1
10	AHP 10-425-10	1/2" OD MALE ELBOW	1
11	AHP 10-425-11	COPPER TUBE	1
12	AHP 10-425-12	SILENCER	1
13	AHP 10-425-13	REDUCING BUSH 3/4 - 1/2	1
14	AHP 10-425-14	FILLER BREATHER	1
15	AHP 10-425-15	3/8" OD x 3/8 BSPT MALE ELBOW	1
16	AHP 10-425-16	3/8 OD EQUAL ELBOW	1
17	AHP 10-425-17	3/8" OD NYLON TUBE	1
18	AHP 10-275-18	PRESSURE RELEASE VALVE	1
19	AHP 10-425-19	1/4 OD NIPPLE X 2.75 LONG	1
20	AHP 10-425-20	HEX HEAD SET SCREW	2
21	AHP 10-425-21	PLAIN WASHER	2
22	AHP 10-425-22	SPRING WASHER	2
23	AHP 10-425-23	HEX HEAD SET SCREW	2
24	AHP 10-425-24	PLAIN WASHER	2
25	AHP 10-425-25	SPRING WASHER	2
26	AHP 10-425-26	LABEL	2
27	AHP 10-425-27	LABEL DRIVE PIN	2
28	AHP 10-425-28	BUTTON HEAD S/S SCREW	2
29	AHP 10-425-29	S/S NUT	2
30	AHP 10-425-30	S/S WASHER	2
31	AHP 10-425-31	HEX HEAD S/S SCREW	2
32	AHP 10-425-32	S/S NUT	4
33	AHP 10-425-33	S/S PLAIN WASHER	8
34	AHP 10-425-34	S/S SPRING WASHER	4
35	AHP 10-425-35	HEX HEAD S/S SCREW	2
40	AHP 10-40	PUMP - PAINTED RAL2002	1
41	AHP 10-58-41	OUTLET BLOCK	1
42	AHP 10-58-42	1/2"NPT S/S HEX NIPPLE	1
43	AHP 10-107-43	GAUGE ADAPTOR HF4 X 1/2"NPT	1
44	AHP 10-107-44	GAUGE PIPE NIPPLE 3"	1
45	AHP 10-425-45	GLAND NUT	2
46	AHP 10-425-46	COLLAR	2
47	AHP 10-47	GAUGE	1
50	AHP 10-26-50	BALL VALVE	2
51	AHP 10-26-51	BRASS Y TYPE STRAINER	1
52	AHP 10-26-52	3/4" O/D X 3/4" BSP M/E	1
53	AHP 10-53	3/4" BSP EQUAL ELBOW	2
54	AHP 10-54	BRASS HEX NIPPLE	3
55	AHP 10-55	3/4" BSP FEMALE RUN TEE	1
56	AHP 10-56	3/4" BSP MALE ELBOW	1
57	AHP 10-57	1" BSP X 22mm O/D M/C	1
58	AHP 10-58	COPPER TUBE	2
59	AHP 10-26-59	1 1/2" U CLAMP - M6	1
60	AHP 10-26-60	M6 NUT	2
61	AHP 10-26-61	M6 PLAIN WASHER	2
62	AHP 10-26-62	M6 SPRING WASHER	2

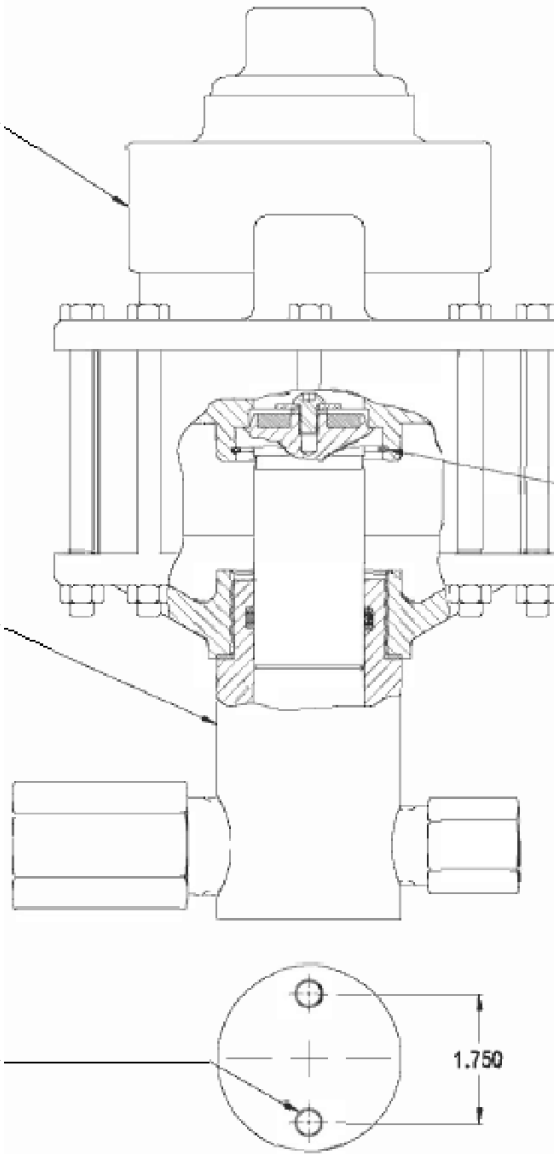
**IMPORTANT**

WHEN ORDERING SPARES YOU MUST STATE THE FULL PART NUMBER AND THE PRODUCT SERIAL NUMBER - FROM THE LABEL TO PROTECT YOUR WARRANTY ALWAYS USE GENUINE HI-FORCE PARTS.

AIR MOTOR ASSEMBLY  
AHP10- 425AM

HYDRAULIC ASSEMBLY  
AHP10H

3/8- 24 X 3/4 DEEP

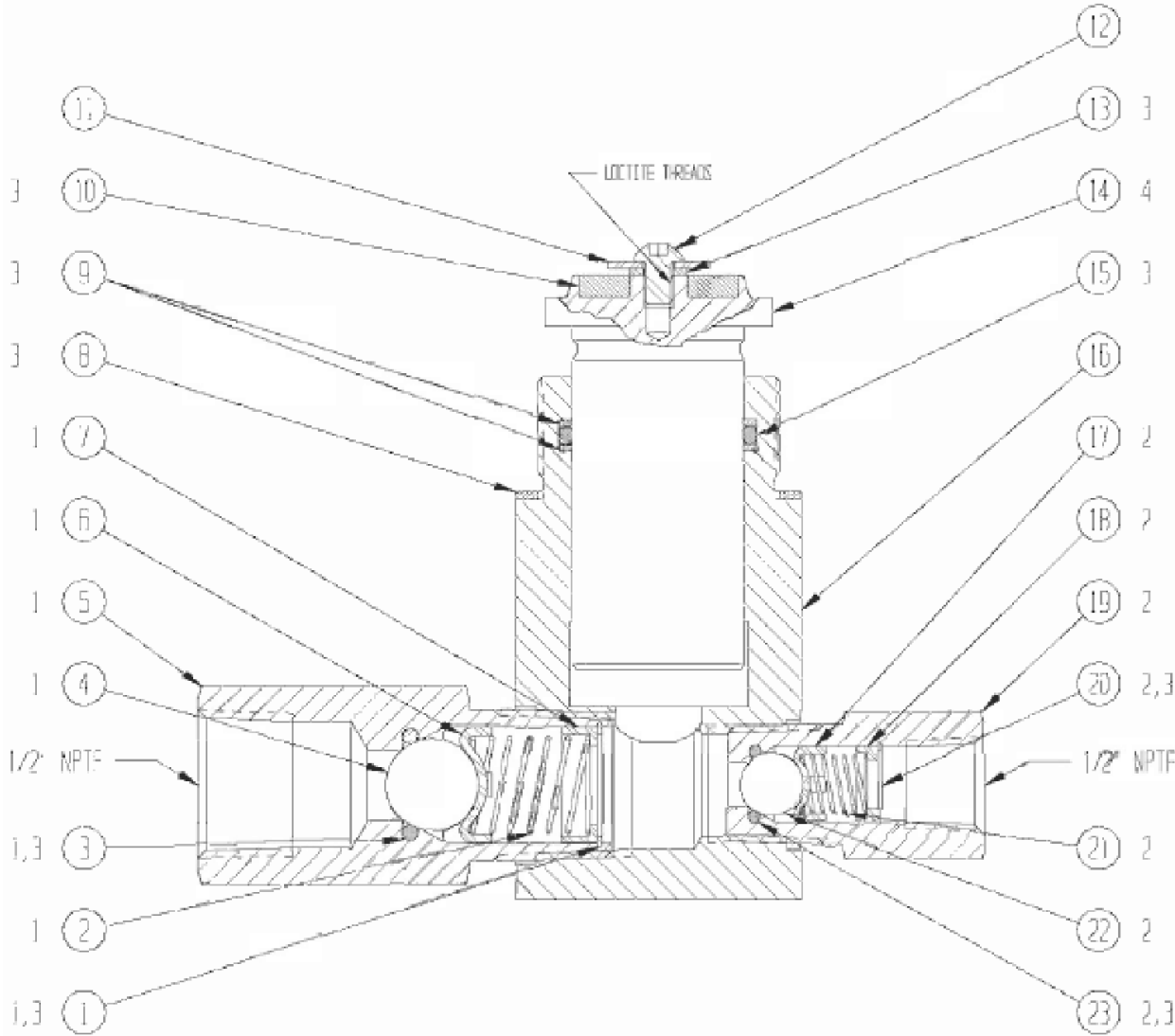


RETAINING RING  
AHP10- 425AM- 22

**MOUNTING  
DIMENSIONS**

**IMPORTANT**

WHEN ORDERING SPARES YOU MUST STATE THE FULL PART NUMBER AND THE  
PRODUCT SERIAL NUMBER - FROM THE LABEL  
TO PROTECT YOUR WARRANTY ALWAYS USE GENUINE HI-FORCE PARTS.



\* REPRESENTS HYDRAULIC ASSEMBLY MODEL NUMBER

Item	HI-FORCE Part Number	Description
	AHP10H	HYDRAULIC ASSEMBLY - COMPLETE
	AHP10-HK	HYDRAULIC REPAIR KIT
1	AHP10H-1	RETAINING RING
2	AHP10H-2	SPRING
3	AHP10H-3	O-RING
4	AHP10H-4	CHECK BALL
5	AHP10H-5	SEAT-INLET
5A	<b>AHP10H-5A</b>	<b>INLET CHECK VALVE ASSY</b>
6	AHP10H-6	BALL GUIDE
7	AHP10H-7	SPRING GUIDE
8	AHP10-425H-8	GASKET
9	AHP10H-9	BACK UP RING
10	AHP10-425H-10	PISTON BUMPER
11	AHP10-425H-11	FENDER WASHER
12	AHP10-425H-12	BUTTON HEAD CAP SCREW
13	AHP10H-13	HELICAL SPRING LOCK WASHER
14	AHP10H-14	HYDRAULIC PISTON
15	AHP10H-15	O-RING
16	AHP10H-16	HYDRAULIC CYLINDER
17	AHP10H-17	BALL GUIDE
18	AHP10H-18	SPRING GUIDE
19	AHP10H-19	SEAT-OUTLET
19A	<b>AHP10H-19A</b>	<b>OUTLET CHECK VALVE ASSY</b>
20	AHP26-107H-1	RETAINING RING
21	AHP26-107H-2	SPRING
22	AHP10H-22	CHECK BALL
23	AHP10H-23	O-RING

3. INCLUDED IN AHP10- HK

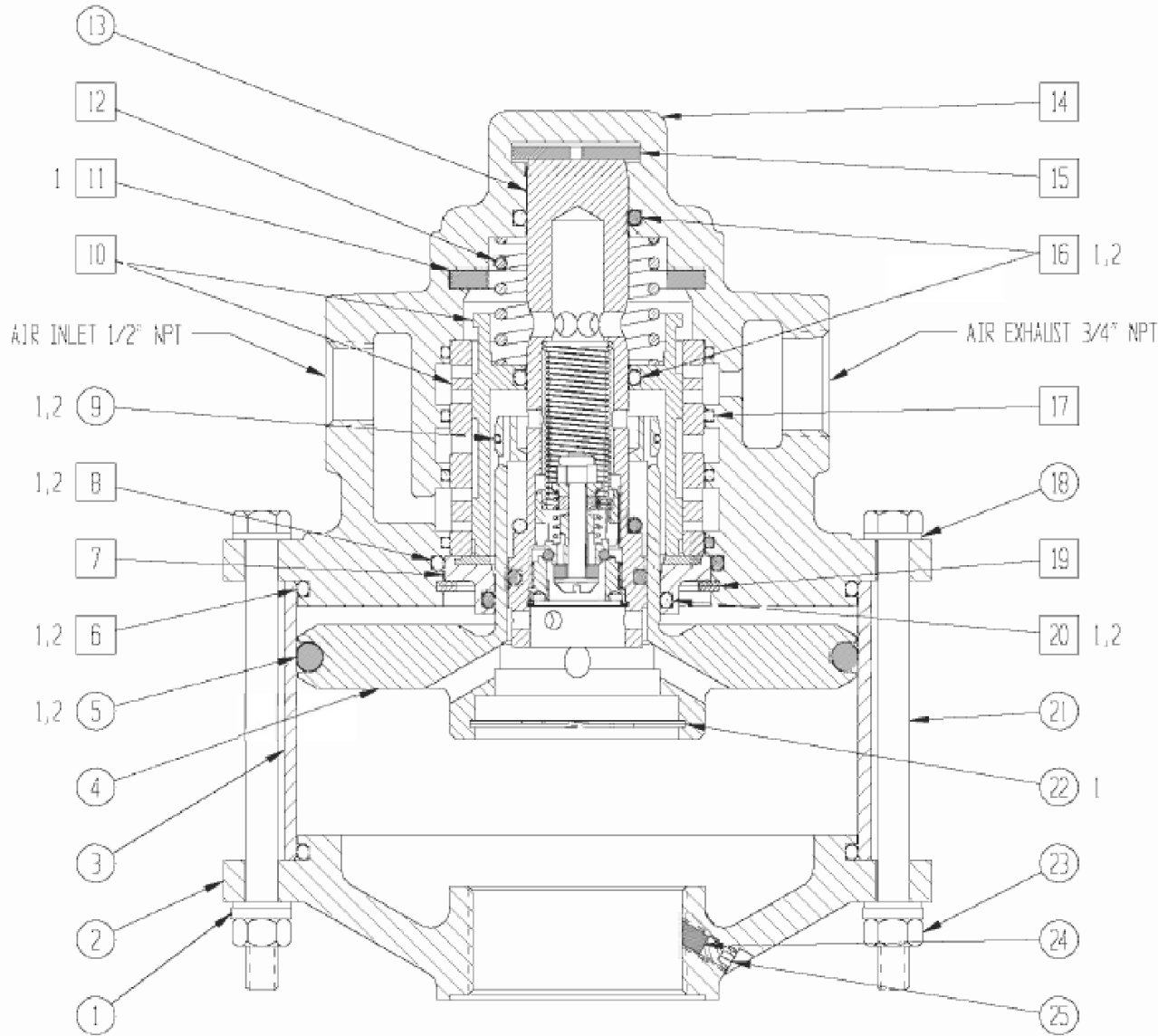
2. INCLUDED IN AHP10H- 5A

1. INCLUDED IN AHP10H- 19A

**IMPORTANT**

WHEN ORDERING SPARES YOU MUST STATE THE FULL PART NUMBER AND THE PRODUCT SERIAL NUMBER - FROM THE LABEL TO PROTECT YOUR WARRANTY ALWAYS USE GENUINE HI-FORCE PARTS.

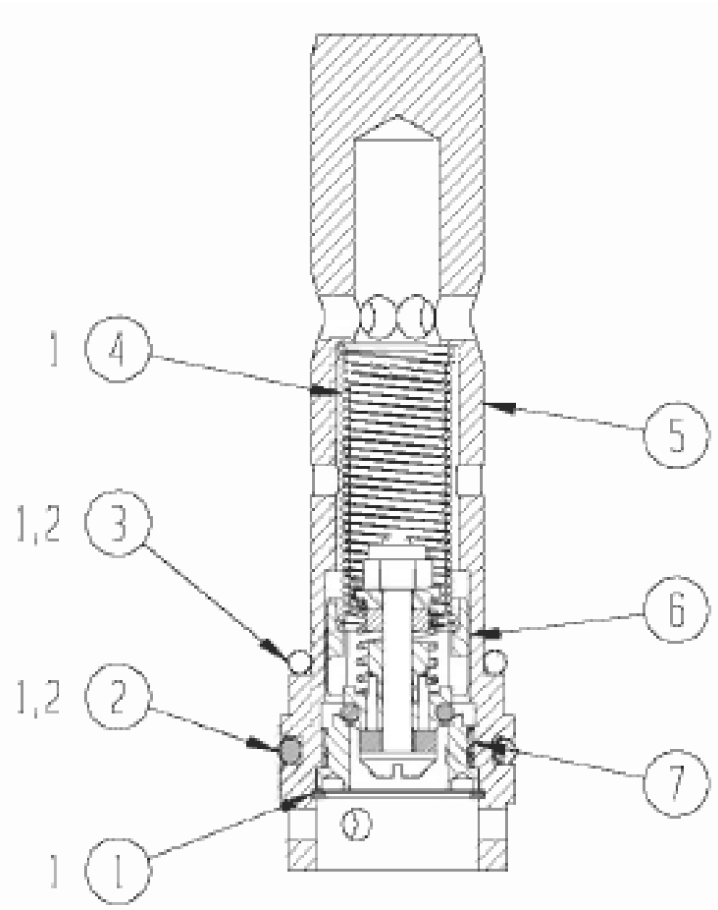




Item	HI-FORCE Part Number	Description	Qty
1	AHP10-425AM-1	WASHER-LOCK	8
2	AHP10-425AM-2	END	1
3	AHP10-425AM-3	CYLINDER AIR	1
4	AHP10-425AM-4	PISTON AIR	1
5	AHP10-425AM-5	O-RING	1
6	AHP10-425AM-6	O-RING	2
7	AHP10-425AM-7	BEARING ASSEMBLY	1
8	AHP10-425AM-8	O-RING	1
9	AHP10-425AM-9	O-RING	1
10	AHP10-425AM-10	APA VALVE ASSY	1
11	AHP10-425AM-11	BUMPER	1
12	AHP10-425AM-12	SPRING	1
13	AHP10-425AM-13	PILOT VALVE ASSY	1
14	AHP10-425AM-14	HEAD	1
15	AHP10-425AM-15	BUMPER	1
16	AHP10-425AM-16	O-RING	2
17	AHP10-425AM-17	O-RING	4
18	AHP10-425AM-18	WASHER-FLAT	16
19	AHP10-425AM-19	RETAINING RING	1
20	AHP10-425AM-20	O-RING	1
21	AHP10-425AM-21	BOLT-HEX	8
22	AHP10-425AM-22	RETAINING RING	1
23	AHP10-425AM-23	NUT-HEX	8
24	AHP10-425AM-24	PLUG - BUNA	1
25	AHP10-425AM-25	SET SCREW-HEX SOCKET	1
	<b>AHP10-425AM-K</b>	<b>SEAL KIT</b>	
	<b>AHP10-425AM-RK</b>	<b>REPAIR KIT</b>	
	<b>AHP10-425AM</b>	<b>COMPLETE AIR MOTOR</b>	
	<b>AHP10-425AM-HD</b>	<b>AIR MOTOR COMPLETE HEAD</b>	

**IMPORTANT**

WHEN ORDERING SPARES YOU MUST STATE THE FULL PART NUMBER AND THE PRODUCT SERIAL NUMBER - FROM THE LABEL TO PROTECT YOUR WARRANTY ALWAYS USE GENUINE HI-FORCE PARTS.



Item	HI-FORCE Part Number	Description	Qty
1	AHP10-425PV-1	RETAINING RING	1
2	AHP10-425PV-2	O-RING	1
3	AHP10-425PV-3	O-RING	1
4	AHP10-425PV-4	SPRING	1
5	AHP10-425PV-5	valve body	1
6	AHP10-425PV-6	AIR CHECK ASSY	1
7	AHP10-425PV-7	SEAT	1

**IMPORTANT**

WHEN ORDERING SPARES YOU MUST STATE THE FULL PART NUMBER AND THE  
PRODUCT SERIAL NUMBER - FROM THE LABEL  
TO PROTECT YOUR WARRANTY ALWAYS USE GENUINE HI-FORCE PARTS.