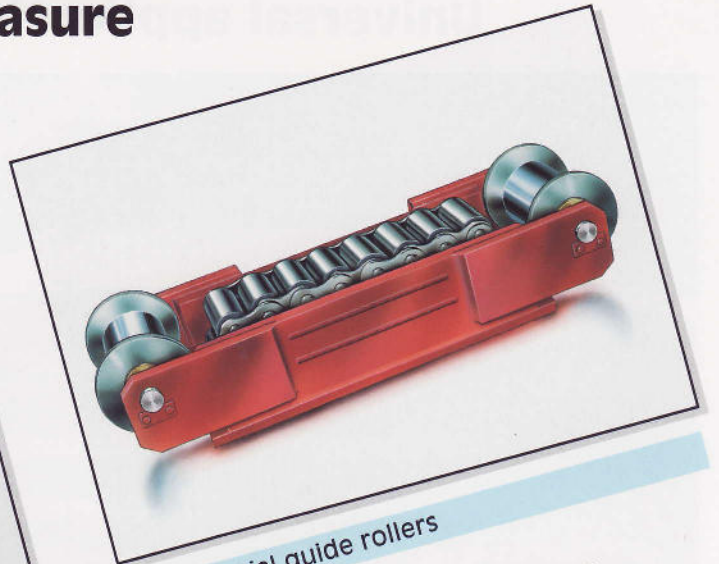


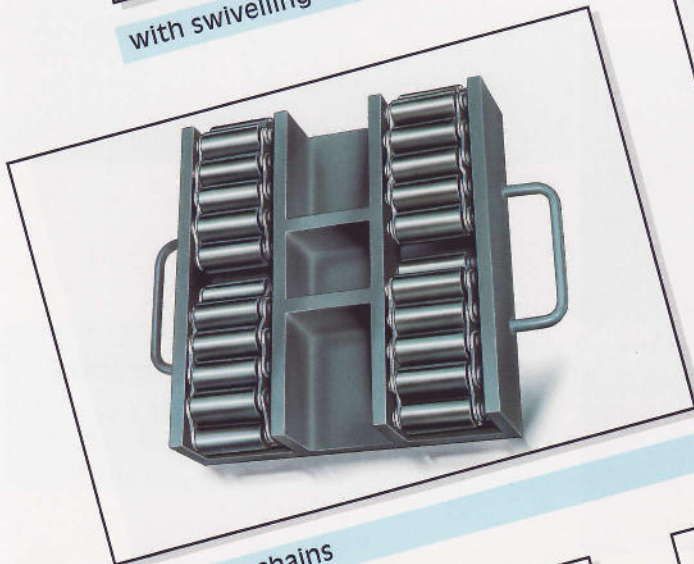
## Roller Skates made to measure



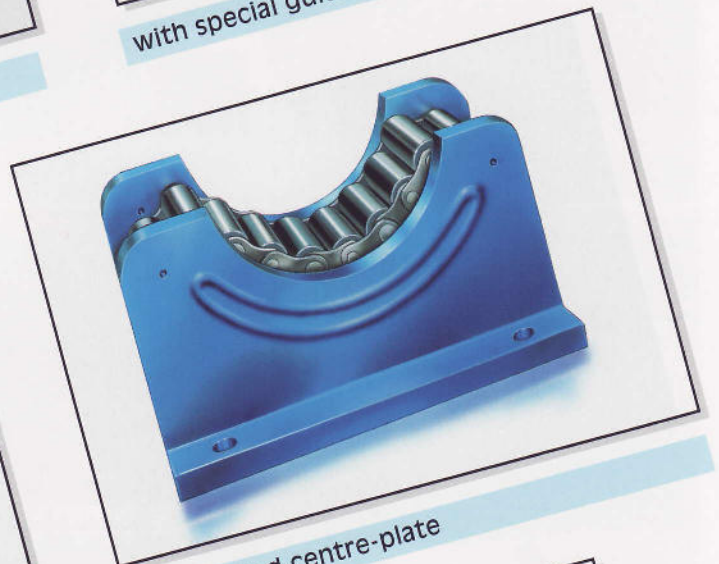
with swivelling top-plate



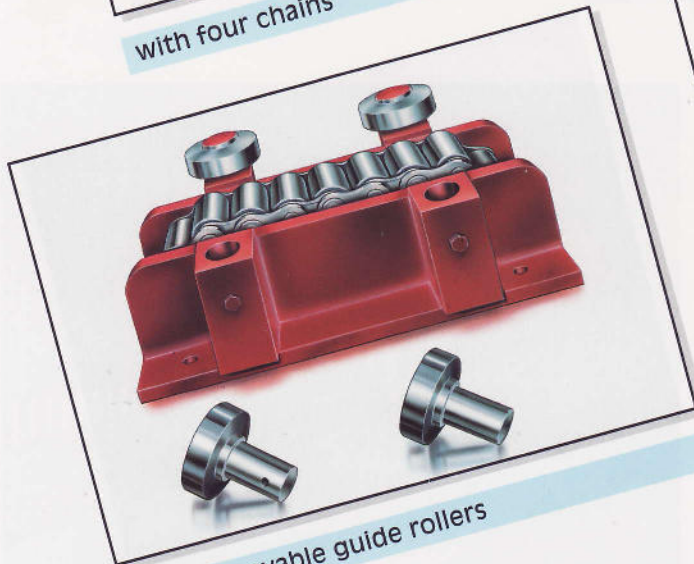
with special guide rollers



with four chains



with curved centre-plate



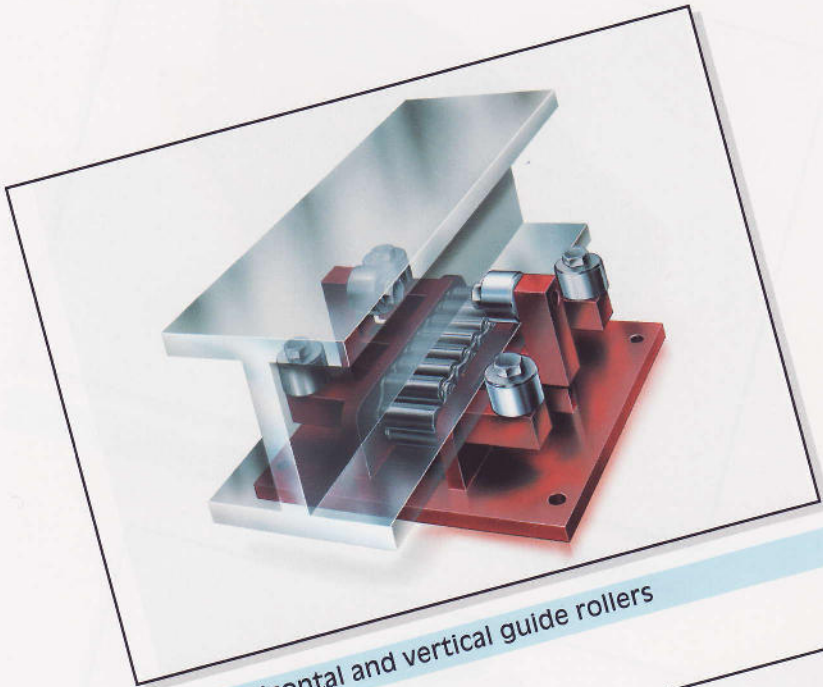
with removable guide rollers



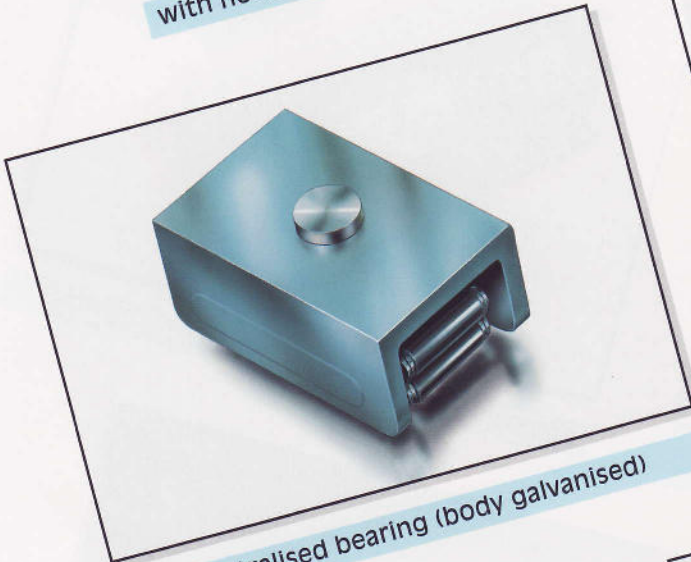
with guide rollers to run in channels



# Roller Skates made to measure



with horizontal and vertical guide rollers



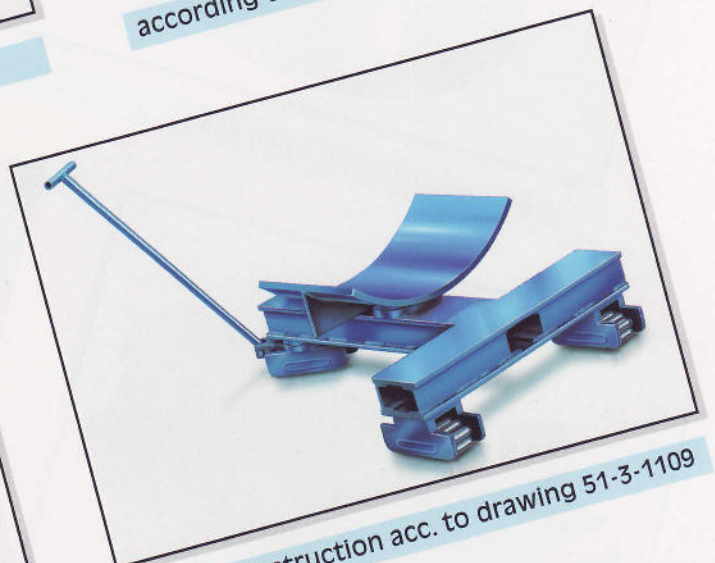
with centralised bearing (body galvanised)



according to drawing Sk 68 A



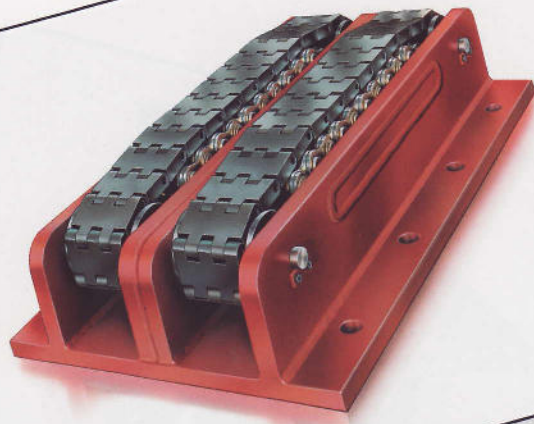
(galvanised) according to drawing 51-3-960



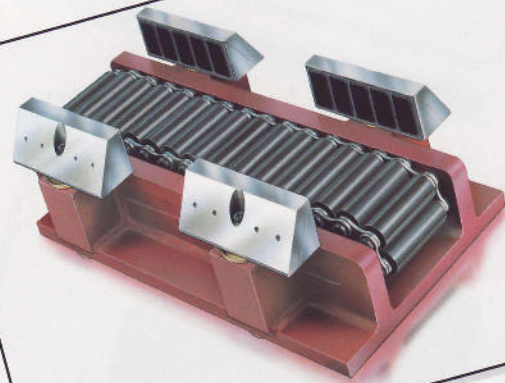
special construction acc. to drawing 51-3-1109



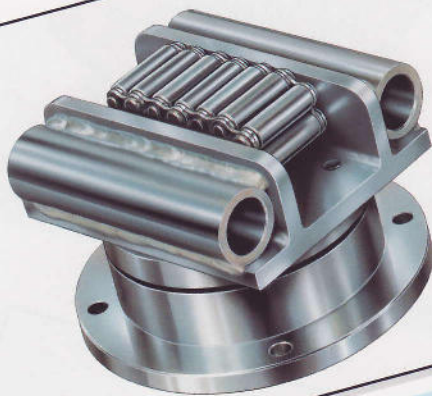
# Roller Skates made to measure



according to drawing 51-5-1612



according to drawing 51-3-1407



according to drawing 51-3-1663



according to drawing 51-5-846



according to drawing 51-6-1721