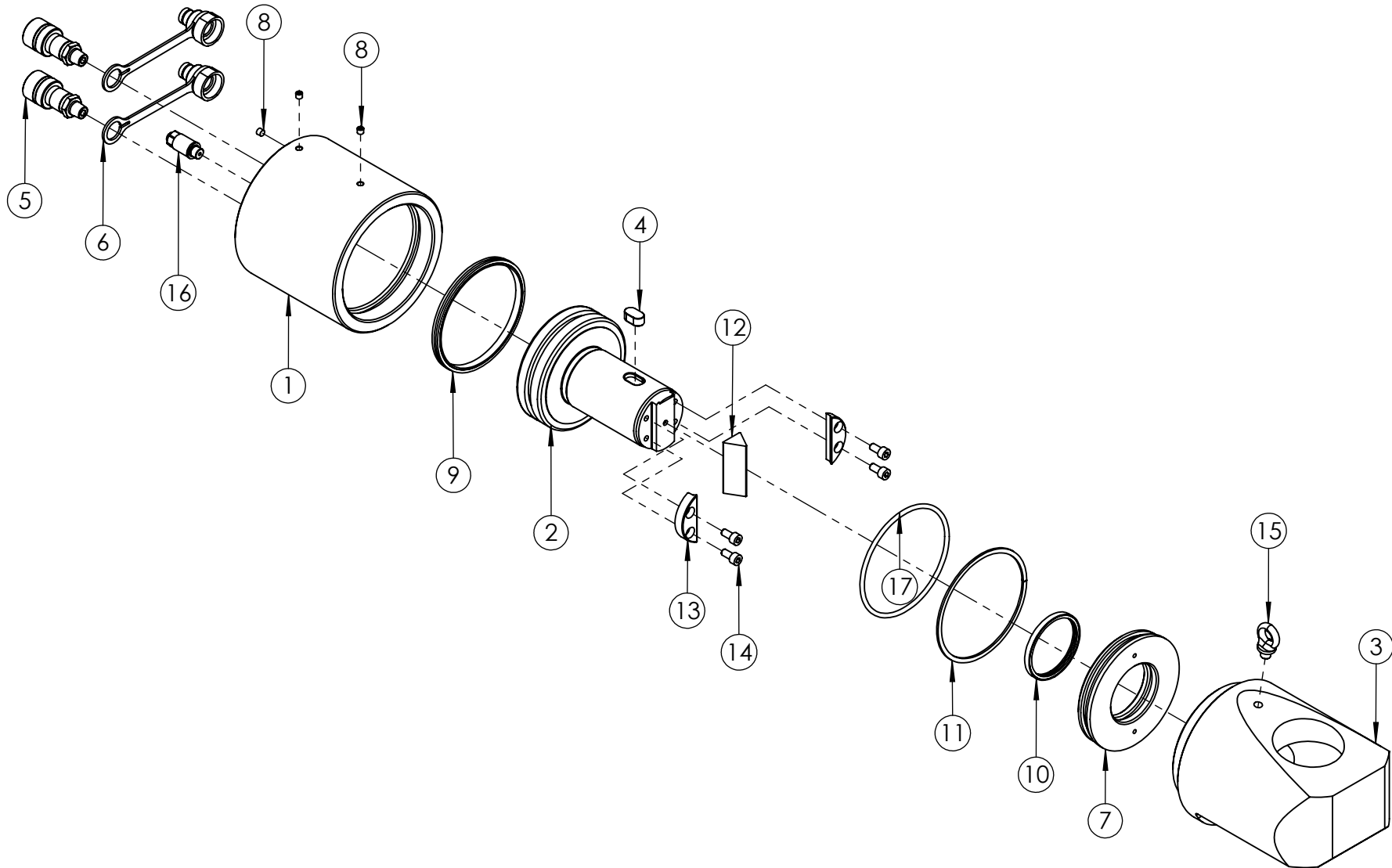


REVISION

|    |      |
|----|------|
| 1  |      |
| 2  | 6349 |
| 3  |      |
| 4  |      |
| 5  |      |
| 6  |      |
| 7  |      |
| 8  |      |
| 9  |      |
| 10 |      |
| 11 |      |
| 12 |      |
| 13 |      |
| 14 |      |
| 15 |      |
| 16 |      |
| 17 |      |
| 18 |      |
| 19 |      |
| 20 |      |



**IMPORTANT**

WHEN ORDERING SPARES YOU MUST STATE THE FULL PART NUMBER AND THE PRODUCT SERIAL NUMBER - FROM THE LABEL TO PROTECT YOUR WARRANTY ALWAYS USE GENUINE HI-FORCE PARTS.

| ITEM NO. | PART NUMBER | DESCRIPTION  | QTY. | SPARE PARTS | SERVICE PARTS |
|----------|-------------|--|------|-------------|---------------|
| 1        | CBC146SD002 | CYLINDER   | 1    | X           |               |
| 2        | PRC146BE002 | PISTON ROD   | 1    | X           |               |
| 3        | ADC100CA003 | JAW  | 1    |             |               |
| 4        | NSC100KA001 | KEY  | 1    |             |               |
| 5        | CF1         | COUPLER  | 2    |             |               |
| 6        | PPC1        | DUST COVER   | 2    |             |               |
| 7        | SSC146EA001 | SEAL RETAINER  | 1    |             |               |
| 8        | FPC002PN001 | 1/16"NPTF x 7/8" TAPER PLUG  | 3    |             |               |
| 9        | SEC146GA001 | PISTON SEAL - I.D. 134.04 mm, O.D. 146.08 mm, H 9.30 mm, NBR-B85   | 1    | X           | ✓             |
| 10       | SEC076GE001 | ROD SEAL - I.D. 76.08 mm, O.D. 85.52 mm, H 7.11 mm, NITRILE 70     | 1    | X           | ✓             |
| 11       | SEC146BA001 | BACK UP RING - I.D. 137.00 mm, O.D. 148.00 mm, H 2.50 mm, DPU-BD57 | 1    | X           | ✓             |
| 12       | DNS404-B    | BLADE  | 1    |             |               |
| 13       | SFC076RA001 | BLADE CLAMP  | 2    |             |               |
| 14       | BLC008KD016 | M8 x 16 mm HEX SOCKET CAP HEAD SCREW                               | 4    |             |               |
| 15       | FLC012CB001 | MODIFIED M12 EYEBOLT   | 1    |             |               |
| 16       | VRA001AF002 | RELIEF VALVE   | 1    |             |               |
| 17       | SEC146RA001 | O-RING - I.D. 136.53mm, C.S. 5.33mm, NITRILE 70                    | 1    | X           | ✓             |

REVISION

|    |      |
|----|------|
| 1  |      |
| 2  | 6349 |
| 3  |      |
| 4  |      |
| 5  |      |
| 6  |      |
| 7  |      |
| 8  |      |
| 9  |      |
| 10 |      |
| 11 |      |
| 12 |      |
| 13 |      |
| 14 |      |
| 15 |      |
| 16 |      |
| 17 |      |
| 18 |      |
| 19 |      |
| 20 |      |

**NOTES:**

- ALL PARTS ARE AVAILABLE TO BE ORDERED AS INDIVIDUAL SPARE PARTS (UNLESS MARKED WITH X).

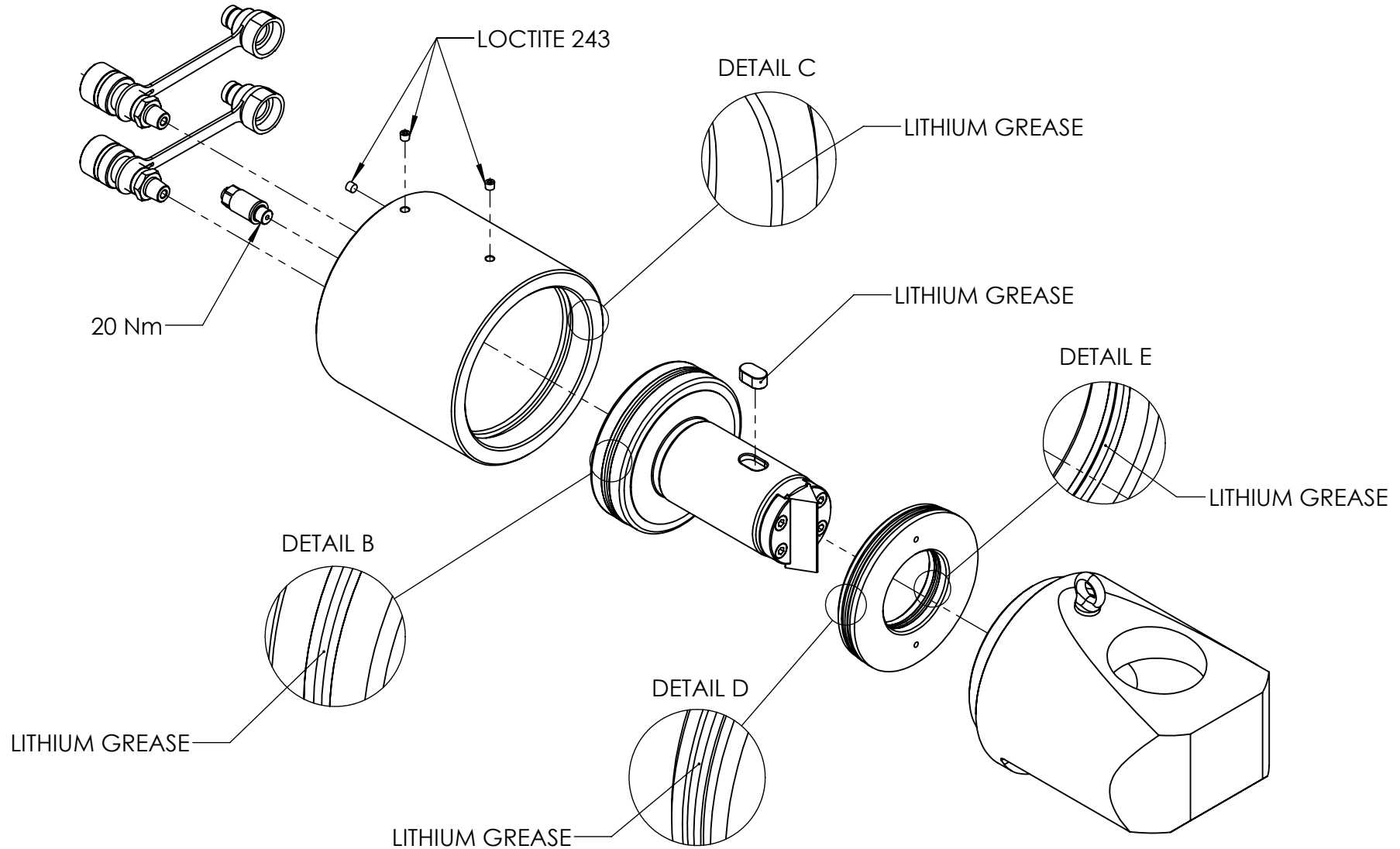
- ALL PARTS MARKED WITH ✓ ARE **ONLY** AVAILABLE AS SERVICEABLE PARTS FOUND IN: **DNS404TP1-K** SEAL KIT. (REFER TO **DNS404TP1-K** EVD FOR FULL PARTS LIST).

**IMPORTANT**

WHEN ORDERING SPARES YOU MUST STATE THE FULL PART NUMBER AND THE PRODUCT SERIAL NUMBER - FROM THE LABEL TO PROTECT YOUR WARRANTY ALWAYS USE GENUINE HI-FORCE PARTS.

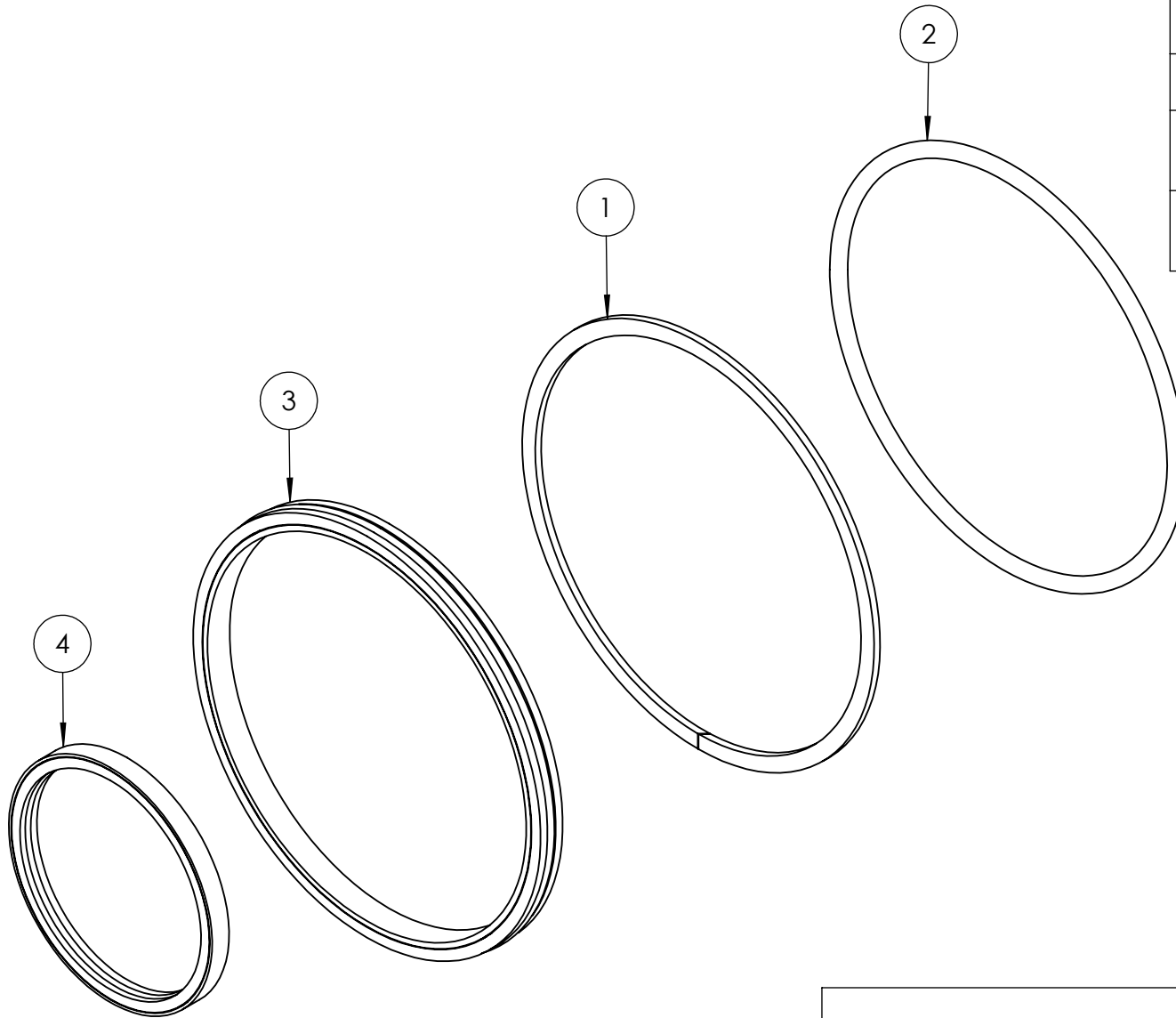
REVISION

|    |      |
|----|------|
| 1  |      |
| 2  | 6349 |
| 3  |      |
| 4  |      |
| 5  |      |
| 6  |      |
| 7  |      |
| 8  |      |
| 9  |      |
| 10 |      |
| 11 |      |
| 12 |      |
| 13 |      |
| 14 |      |
| 15 |      |
| 16 |      |
| 17 |      |
| 18 |      |
| 19 |      |
| 20 |      |

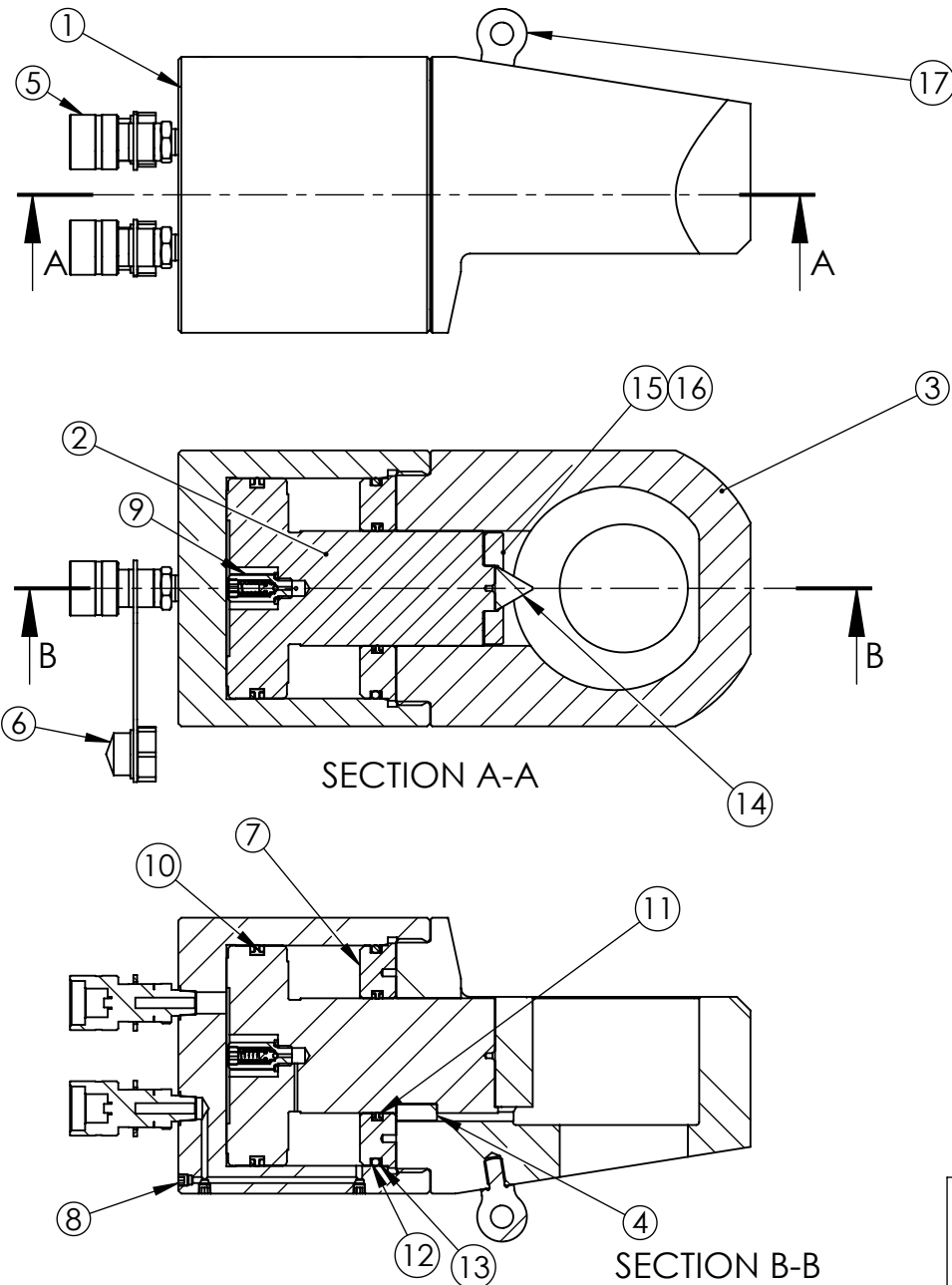


**IMPORTANT**  
WHEN ORDERING SPARES YOU MUST STATE THE FULL PART NUMBER AND THE PRODUCT SERIAL NUMBER - FROM THE LABEL TO PROTECT YOUR WARRANTY ALWAYS USE GENUINE HI-FORCE PARTS.

| ITEM NO. | PART NUMBER | DESCRIPTION  | QTY. | REVISION |
|----------|-------------|--|------|----------|
| 1        | SEC146BA001 | BACK UP RING - I.D. 137.00 mm, O.D. 148.00 mm, H 2.50 mm, DPU-BD57 | 1    | 1 6349   |
| 2        | SEC146RA001 | O-RING - I.D. 136.53mm, C.S. 5.33mm, NITRILE 70                    | 1    | 2        |
| 3        | SEC146GA001 | PISTON SEAL - I.D. 134.04 mm, O.D. 146.08 mm, H 9.30 mm, NBR-B85   | 1    | 3        |
| 4        | SEC076GE001 | ROD SEAL - I.D. 76.08 mm, O.D. 85.52 mm, H 7.11 mm, NITRILE 70     | 1    | 4        |
|          |             |  |      | 5        |
|          |             |  |      | 6        |
|          |             |  |      | 7        |
|          |             |  |      | 8        |
|          |             |  |      | 9        |
|          |             |  |      | 10       |
|          |             |  |      | 11       |
|          |             |  |      | 12       |
|          |             |  |      | 13       |
|          |             |  |      | 14       |
|          |             |  |      | 15       |
|          |             |  |      | 16       |
|          |             |  |      | 17       |
|          |             |  |      | 18       |
|          |             |  |      | 19       |
|          |             |  |      | 20       |



**IMPORTANT**  
WHEN ORDERING SPARES YOU MUST STATE THE FULL PART NUMBER AND THE PRODUCT SERIAL NUMBER - FROM THE LABEL TO PROTECT YOUR WARRANTY ALWAYS USE GENUINE HI-FORCE PARTS.



| ITEM NO. | PART NUMBER | DESCRIPTION         | QTY. |
|----------|-------------|---------------------|------|
| 1        | CBC146SD001 | CYLINDER            | 1    |
| 2        | PRC146BE001 | PISTON ROD.         | 1    |
| 3        | ADC100CA003 | JAW                 | 1    |
| 4        | NSC100KA001 | KEY                 | 1    |
| 5        | CF1         | COUPLER             | 2    |
| 6        | PPC1        | DUST COVER          | 2    |
| 7        | SSC146EA001 | SEAL RETAINER       | 1    |
| 8        | FPC002PN001 | PLUG                | 3    |
| 9        | VRA700AF002 | RELIEF VALVE        | 1    |
| 10       | X           | PISTON SEAL         | 1    |
| 11       | X           | ROD SEAL            | 1    |
| 12       | X           | O - RING            | 1    |
| 13       | X           | BACK UP RING        | 1    |
| 14       | DNS404-B    | BLADE               | 1    |
| 15       | SFC076RA001 | BLADE CLAMP         | 2    |
| 16       | BLC008KD025 | SOCKET CAP HD SCREW | 4    |
| 17       | BS4278-M12  | EYEBOLT             | 1    |

PARTS MARKED X ARE AVAILABLE ONLY IN SERVICE KIT DNS404TP1-K

**IMPORTANT**

WHEN ORDERING SPARES YOU MUST STATE THE FULL PART NUMBER AND THE PRODUCT SERIAL NUMBER - FROM THE LABEL TO PROTECT YOUR WARRANTY ALWAYS USE GENUINE HI-FORCE PARTS.