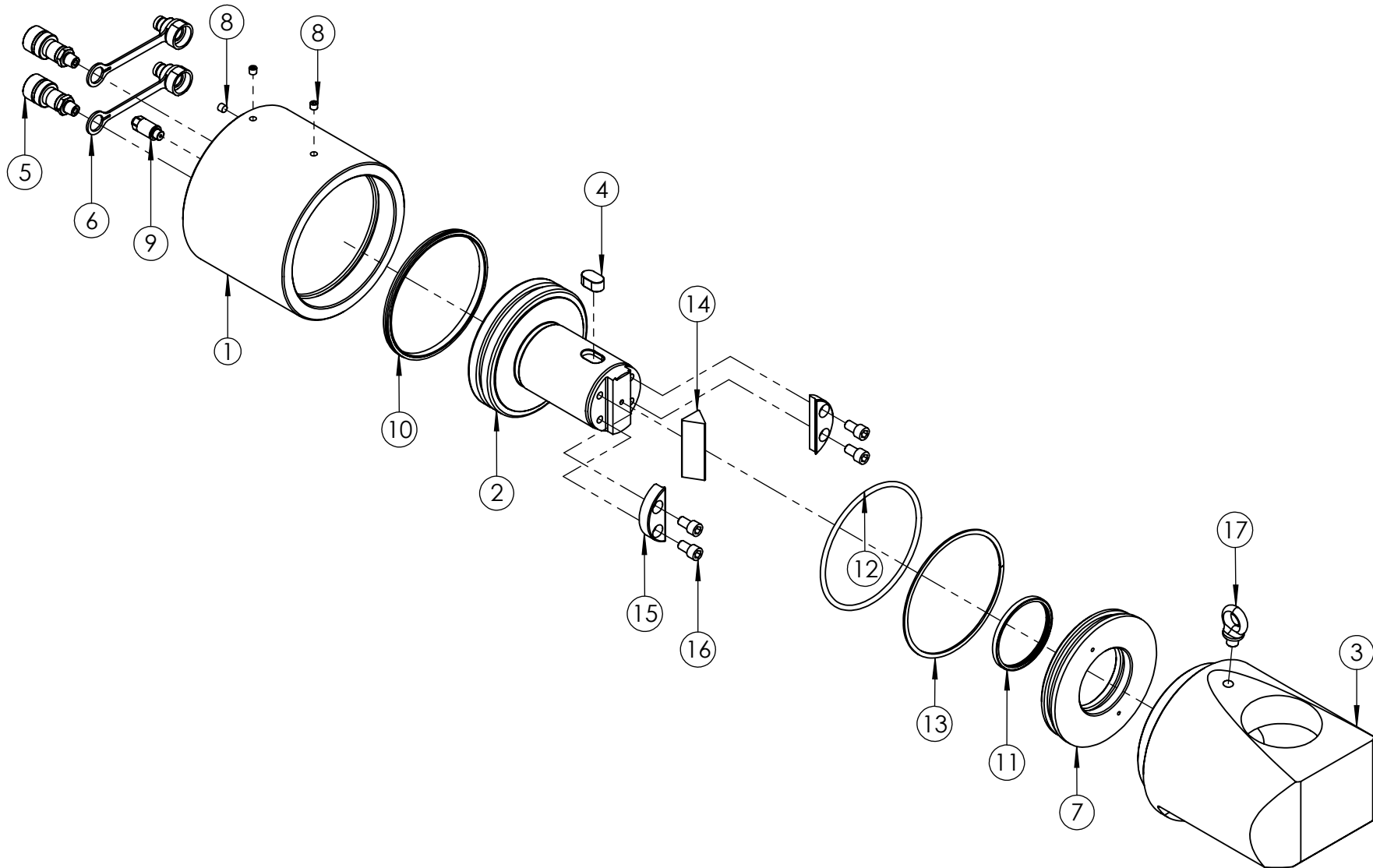


REVISION

1	
2	6349
3	
4	
5	
6	
7	
8	
9	
10	
11	
12	
13	
14	
15	
16	
17	
18	
19	
20	



IMPORTANT
WHEN ORDERING SPARES YOU MUST STATE THE FULL PART NUMBER AND THE
PRODUCT SERIAL NUMBER - FROM THE LABEL
TO PROTECT YOUR WARRANTY ALWAYS USE GENUINE HI-FORCE PARTS.

ITEM NO.	PART NUMBER	DESCRIPTION	QTY.	SPARE PARTS	SERVICE PARTS
1	CBC190AC002	CYLINDER	1	X	
2	PRC190JC004	PISTON ROD	1	X	
3	ADC200CA003	JAW	1		
4	NSC200KA001	KEY	1		
5	CF1	COUPLER	2		
6	PPC1	DUST COVER	2		
7	SSC190EA005	SEAL RETAINER	1		
8	FPC003PN002	1/8" x 3/4" NPT TAPER DRY SEAL PRESS PLUG	3		
9	VRA001AF002	RELIEF VALVE	1		
10	SEC190GA001	PISTON SEAL - O.D. 190.50 mm, I.D. 178.51 mm, H. 9.30 mm, NITRILE/NYLON 70 SHORE	1	X	✓
11	SEC098GE001	ROD SEAL - I.D. 98.37 mm, O.D. 107.74 mm, H 7.11 mm, NBR-B85	1	X	✓
12	SEC190RA001	O-RING - I.D. 177.17 mm, C.S. 6.99 mm, NITRILE 70	1	X	✓
13	SEC190BA001	BACKUP RING - O.D. 190.50, I.D. 178.50 mm, H. 2 mm, PTFE	1	X	✓
14	DNS506-B	BLADE	1		
15	SFC089RA001	BLADE CLAMP	2		
16	BLC012MD020	M12 x 20 SOCKET CAP HD SCREW	4		
17	FLC016CC001	MODIFIED M16 EYEBOLT	1		

REVISION

1	
2	6349
3	
4	
5	
6	
7	
8	
9	
10	
11	
12	
13	
14	
15	
16	
17	
18	
19	
20	

NOTES:

- ALL PARTS ARE AVAILABLE TO BE ORDERED AS INDIVIDUAL SPARE PARTS (UNLESS MARKED WITH X).

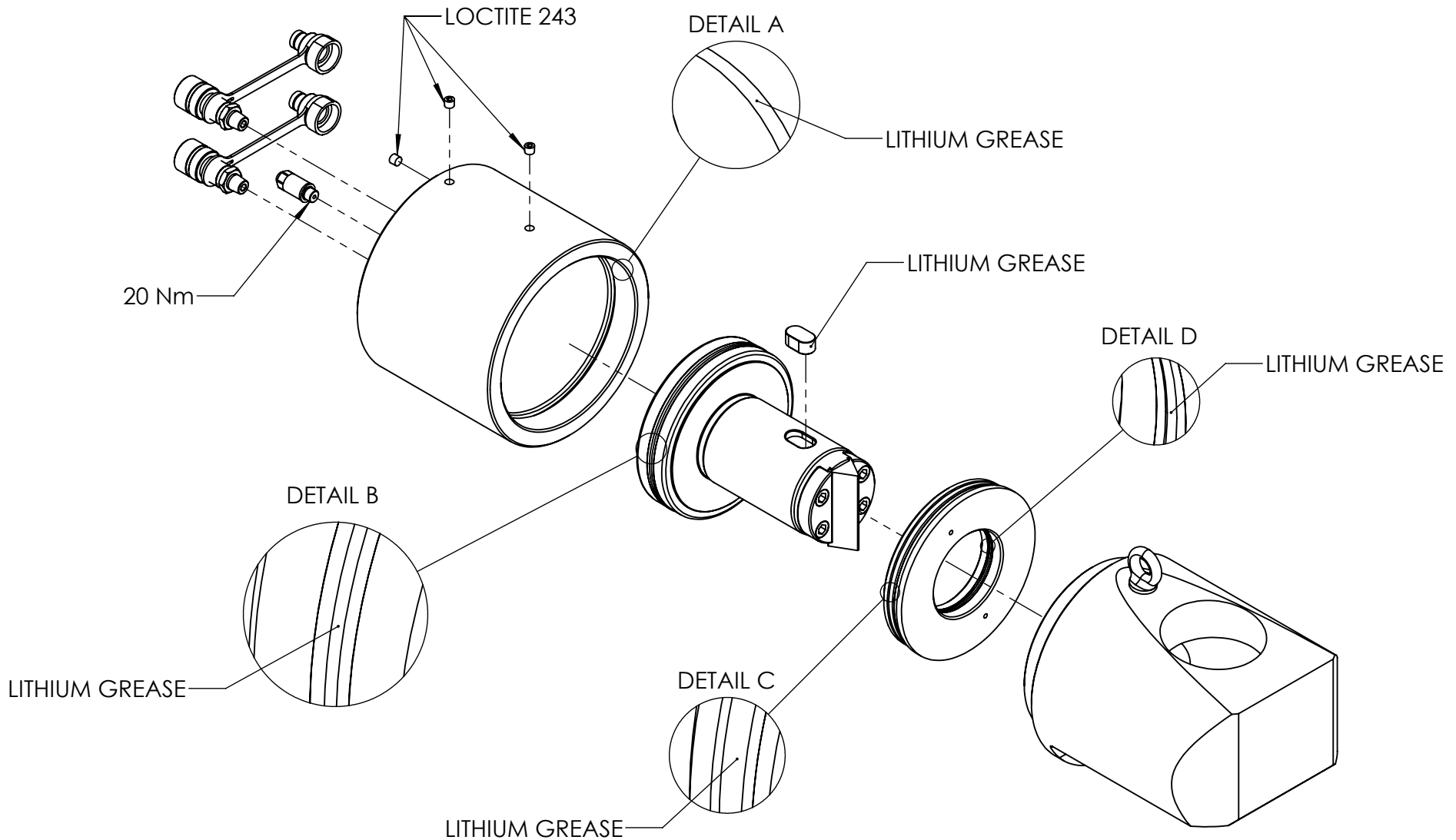
- ALL PARTS MARKED WITH ✓ ARE **ONLY** AVAILABLE AS SERVICEABLE PARTS FOUND IN: **DNS506TP1-K** SEAL KIT. (REFER TO **DNS506TP1-K** EVD FOR FULL PARTS LIST).

IMPORTANT

WHEN ORDERING SPARES YOU MUST STATE THE FULL PART NUMBER AND THE PRODUCT SERIAL NUMBER - FROM THE LABEL TO PROTECT YOUR WARRANTY ALWAYS USE GENUINE HI-FORCE PARTS.

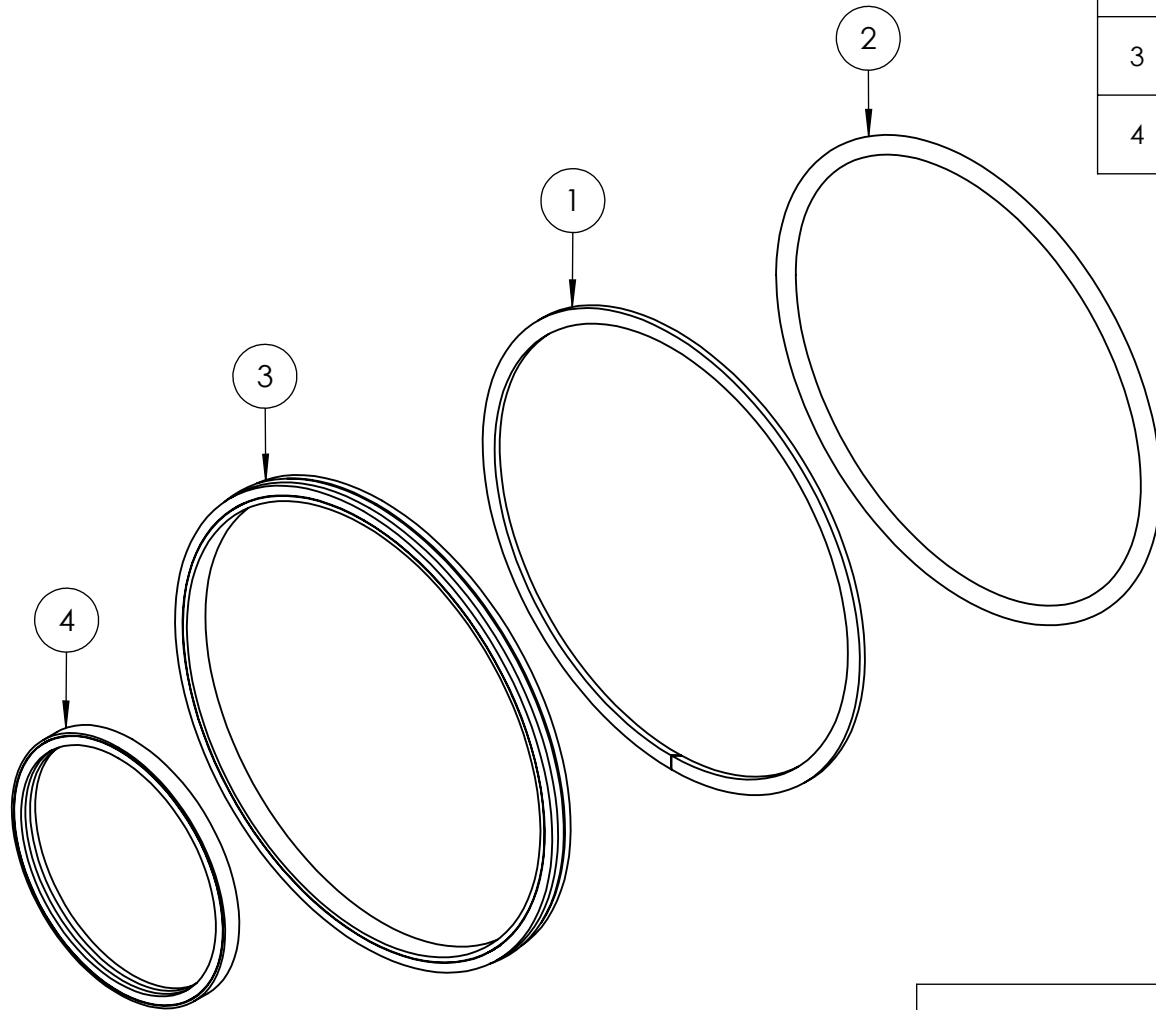
REVISION

1	
2	6349
3	
4	
5	
6	
7	
8	
9	
10	
11	
12	
13	
14	
15	
16	
17	
18	
19	
20	

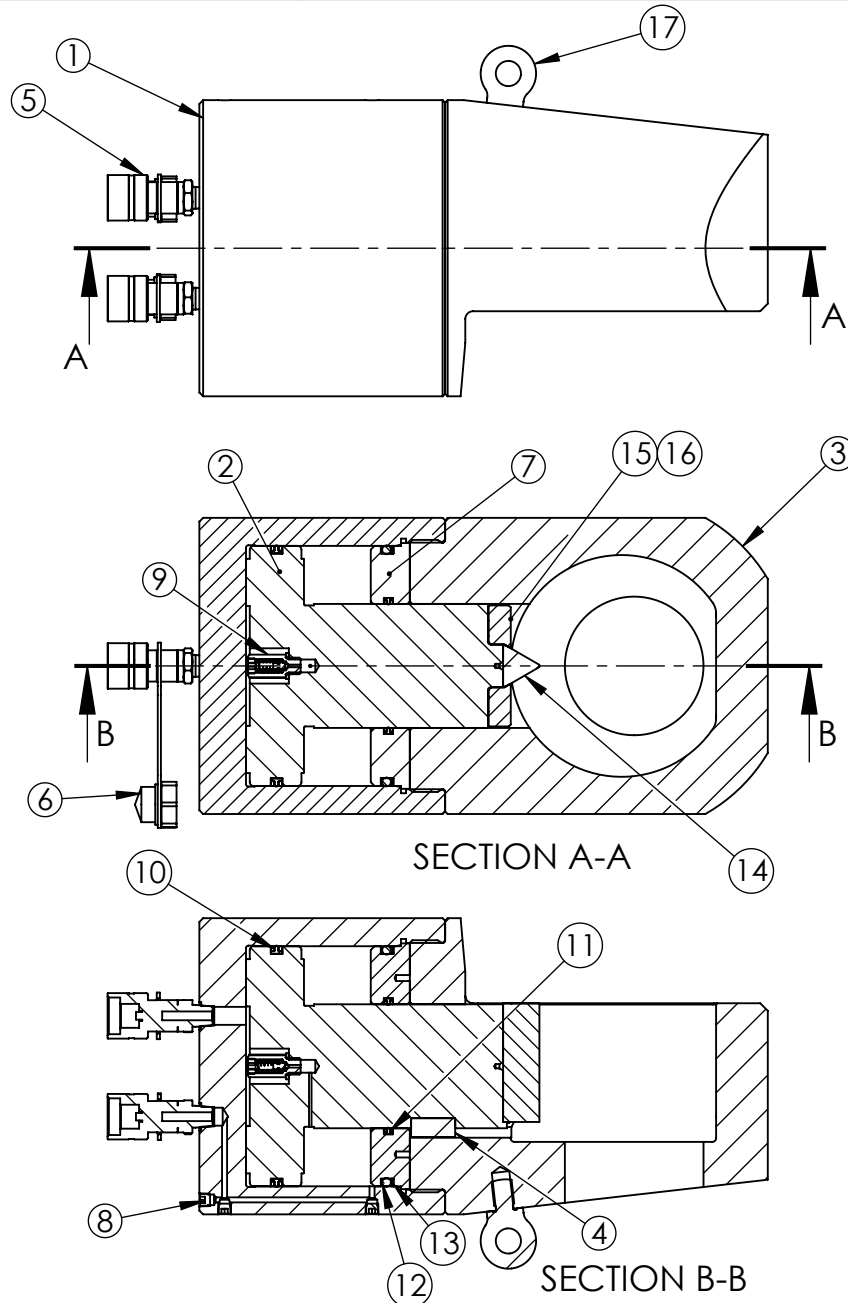


IMPORTANT
WHEN ORDERING SPARES YOU MUST STATE THE FULL PART NUMBER AND THE
PRODUCT SERIAL NUMBER - FROM THE LABEL
TO PROTECT YOUR WARRANTY ALWAYS USE GENUINE HI-FORCE PARTS.

ITEM NO.	PART NUMBER	DESCRIPTION	QTY.	REVISION
1	SEC190BA001	BACKUP RING - O.D. 190.50, I.D. 178.50 mm, H. 2 mm, PTFE	1	1 6349
2	SEC190RA001	O-RING - I.D. 177.17 mm, C.S. 6.99 mm, NITRILE 70	1	2
3	SEC190GA001	PISTON SEAL - O.D. 190.50 mm, I.D. 178.51 mm, H. 9.30 mm, NITRILE/NYLON 70 SHORE	1	3
4	SEC098GE001	ROD SEAL - I.D. 98.37 mm, O.D. 107.74 mm, H 7.11 mm, NBR-B85	1	4
				5
				6
				7
				8
				9
				10
				11
				12
				13
				14
				15
				16
				17
				18
				19
				20



IMPORTANT
WHEN ORDERING SPARES YOU MUST STATE THE FULL PART NUMBER AND THE PRODUCT SERIAL NUMBER - FROM THE LABEL TO PROTECT YOUR WARRANTY ALWAYS USE GENUINE HI-FORCE PARTS.



ITEM NO.	PART NUMBER	DESCRIPTION	QTY.
1	CBC190AC001	CYLINDER	1
2	PRC190JC003	PISTON ROD.	1
3	ADC200CA003	JAW	1
4	NSC200KA001	KEY	1
5	CF1	COUPLER	2
6	PPC1	DUST COVER	2
7	SSC190EA005	SEAL RETAINER	1
8	FPC003PN001	PLUG	3
9	VRA700AF002	RELIEF VALVE	1
10	X	PISTON SEAL	1
11	X	ROD SEAL	1
12	X	O - RING	1
13	X	BACK UP RING	1
14	DNS506-B	BLADE	1
15	SFC089RA001	BLADE CLAMP	2
16	BLC012MD020	SOCKET CAP HD SCREW	4
17	BS4278-M16	EYEBOLT	1

PARTS MARKED X ARE AVAILABLE ONLY IN SERVICE KIT DNS506TP1-K

IMPORTANT

WHEN ORDERING SPARES YOU MUST STATE THE FULL PART NUMBER AND THE PRODUCT SERIAL NUMBER - FROM THE LABEL TO PROTECT YOUR WARRANTY ALWAYS USE GENUINE HI-FORCE PARTS.