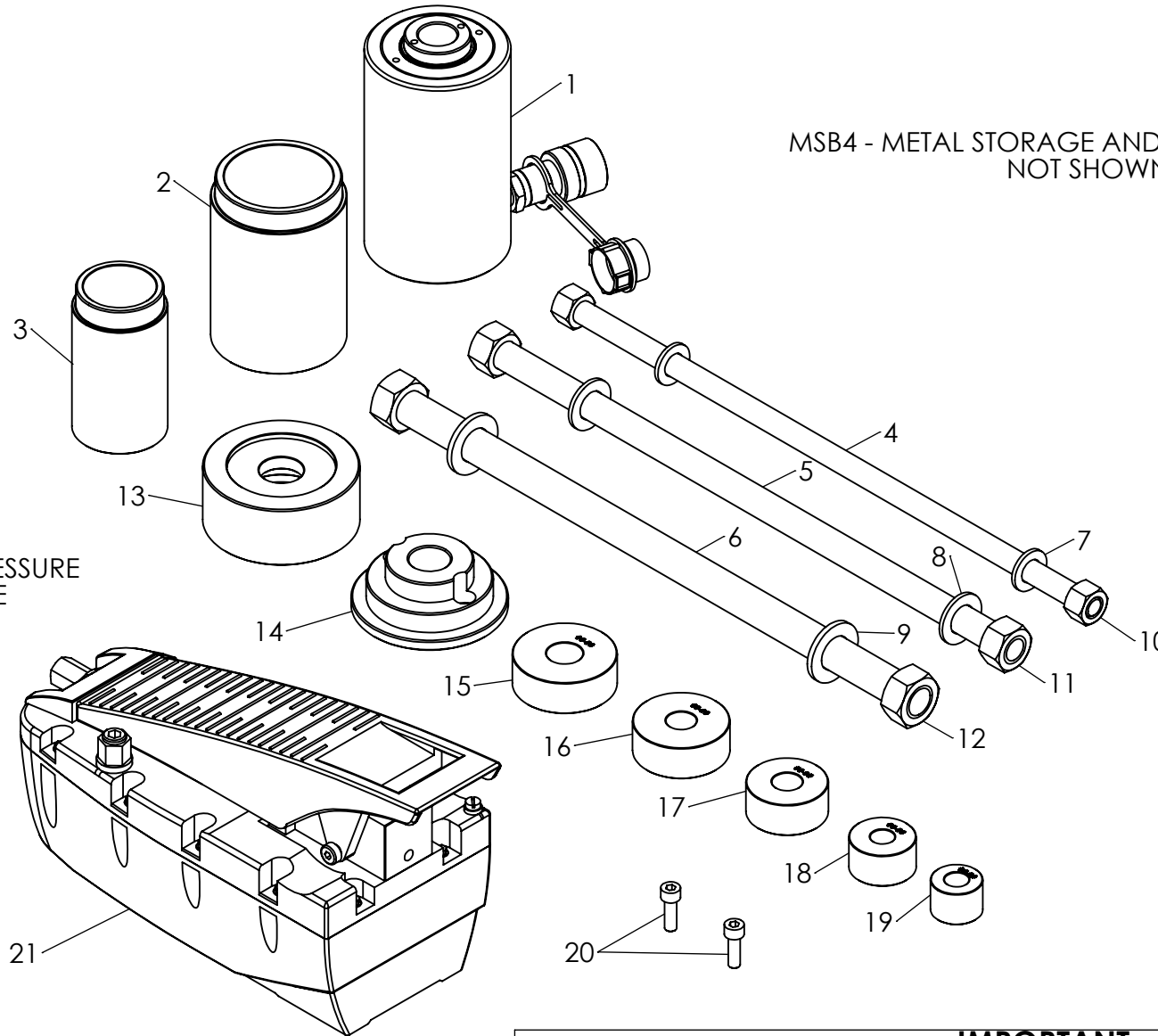


REVISION

1	4681
2	
3	
4	
5	
6	
7	
8	
9	
10	
11	
12	
13	
14	
15	
16	
17	
18	
19	
20	



MSB4 - METAL STORAGE AND TRANSPORT BOX  
NOT SHOWN

HC2 - 2 METRE HIGH PRESSURE  
HYDRAULIC HOSE  
NOT SHOWN

**IMPORTANT**

WHEN ORDERING SPARES YOU MUST STATE THE FULL PART NUMBER AND THE  
PRODUCT SERIAL NUMBER - FROM THE LABEL  
TO PROTECT YOUR WARRANTY ALWAYS USE GENUINE HI-FORCE PARTS.

	PART NO.	DESCRIPTION	QTY
1	HHA182	HOLLOW PISTON	1
2	ADC018GE002	PULL SLEEVE (LARGE)	1
3	ADC018GE001	PULL SLEEVE (SMALL)	1
4	TBC016MQ001	M16 THREADED ROD	1
5	TBC020MR001	M20 THREADED ROD	1
6	TBC024MS001	M24 THREADED ROD	1
7	WAC016AF001	M16 WASHER	2
8	WAC020AF001	M20 WASHER	2
9	WAC024AF001	M24 WASHER	2
10	NUC016NA001	M16 NUT (CLASS 12)	2
11	NUC020PA001	M20 NUT (CLASS 12)	2
12	NUC024QA001	M24 NUT (CLASS 12)	2
13	ADC018GF001	ADAPTOR PLATE PROTECTOR	1
14	ADC018GF002	ADAPTOR PLATE	1
15	ADC018GG005	PRESS PLATE - 24.5 MM ID, 70 MM OD	1
16	ADC018GG004	PRESS PLATE - 20.5 MM ID, 65 MM OD	1
17	ADC018GG003	PRESS PLATE - 20.5 MM ID, 55 MM OD	1
18	ADC018GG002	PRESS PLATE- 16.5 MM ID, 45 MM OD	1
19	ADC018GG001	PRESS PLATE - 16.5 MM ID, 35 MM OD	1
20	BLC008KD025	M8 X 25 MM CAP HEAD SCREW	2
21	AHP1120	AIR DRIVEN, SINGLE STAGE PUMP	1
	HC2	2 METRE HIGH PRESSURE HYDRAULIC HOSE	1
	MSB4	METAL STORAGE AND TRANSPORT BOX	1

REVISION

1 4681

2

3

4

5

6

7

8

9

10

11

12

13

14

15

16

17

18

19

20

**IMPORTANT**

WHEN ORDERING SPARES YOU MUST STATE THE FULL PART NUMBER AND THE PRODUCT SERIAL NUMBER - FROM THE LABEL TO PROTECT YOUR WARRANTY ALWAYS USE GENUINE HI-FORCE PARTS.