

REVISION

1	5717
2	
3	
4	
5	
6	
7	
8	
9	
10	
11	
12	
13	
14	
15	
16	
17	
18	
19	
20	

**IMPORTANT**

WHEN ORDERING SPARES YOU MUST STATE THE FULL PART NUMBER AND THE PRODUCT SERIAL NUMBER - FROM THE LABEL TO PROTECT YOUR WARRANTY ALWAYS USE GENUINE HI-FORCE PARTS.

ITEM NO.	PART NUMBER	DESCRIPTION	QTY.	SPARE PARTS	SERVICE PARTS
1	<b>TAA025JS001</b>	25 LTR TANK ASSEMBLY	1		
2	BPC025KP001	1" SQ RIBBED INSERT BLACK	4		
3	<b>TAA025CS001</b>	25 LTR ROLL FRAME ASSEMBLY	1		
4	WAC008AB000	M8 PLAIN WASHER	4		
5	<b>TYPE200-24</b>	200 SERIES PUMP UNIT	1		
6	<b>EMA230ME001</b>	MOTOR ASSEMBLY	1		
7	<b>EMA230UE001</b>	MOTOR STARTER ASSEMBLY 230V	1		
8	<b>PGP063AK001</b>	HEP & HAP PRESSURE GAUGE ASSEMBLY	1		
9	<b>PM1</b>	PORT PLATE (15777)	1		
10	TAC000PA001	160 mm LONG SUCTION PIPE	1		
11	FPC013AC010	1/2" BSPT SUCTION PIPE	1		
12	FPC010PB001	3/8" BSP BLANKING PLUG	1		
13	FFC045MZ001	FILTER	1		
14	BLC005HF020	M5 x 20 mm HEX SOCKET COUNTERSUNK SCREW	10		
15	15482	TANK GASKET	1		✓
16	TAC000FS003	MOUNTING PLATE	1		
17	NUC008KC000	M8 NYLOC NUT	4		
18	TAC000FS004	HOUSING	1		
19	BLC006JH010	M6 X 10 mm BUTTON HEAD HEX SOCKET SCREW	8		
20	WAC006AF000	M6 ZINC WASHER	8		
21	WAC006BC001	M6 SPRING ZINC WASHER (SQUARE SECTION)	4		

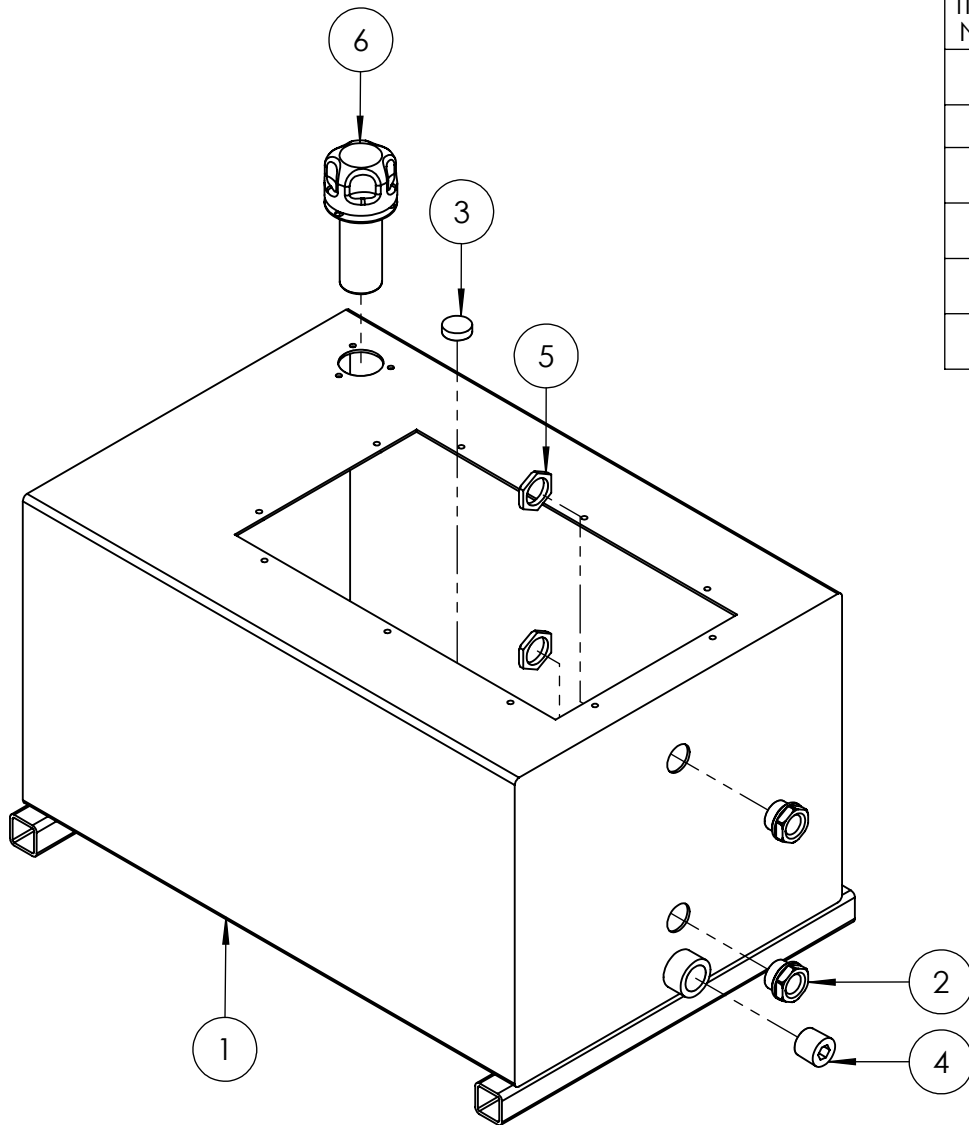
ITEM NO.	PART NUMBER	DESCRIPTION	QTY.	SPARE PARTS	SERVICE PARTS	REVISION
22	ANC015PC001	CABLE CLIP BLACK SCREW POLYACETAL CABLE CLIP, 15mm	4			1 5717
23	SEC013EH001	12.7mm ID BLACK PVC OPEN GROMMET	1			2
24	SEC013EH002	12.7mm OD BLACK PVC BLIND GROMMET	2			3
25	AAN000UP001	60 x 30 mm UNIVERSAL NAME PLATE	1		X	4
26	FAS002HZ001	NO.4 x 3/16 BRASS HAMMER DRIVE SCREW	2			5
*	SFC065FA002	BLANKING PLATE	1			6
						7
						8
						9
						10
						11
						12
						13
						14
						15
						16
						17
						18
						19
						20

**NOTE:**

- ALL PARTS ARE AVAILABLE TO BE ORDERED AS SPARE PARTS (UNLESS MARKED WITH X).
- ONLY PARTS MARKED WITH ✓ ARE AVAILABLE AS BOTH SPARE PARTS OR SERVICEABLE PARTS, FROM **HEP-SK1 PUMP SERVICE KIT**. (REFER TO HEP-SK1: PUMP SERVICE KIT EVD FOR FULL PARTS LIST)
- FOR SUB ASSEMBLIES (ITEM NO.S 1, 3, 5, 6, 7, 8 & 9) PLEASE REFER TO THEIR INDIVIDUAL EVD's.

**IMPORTANT**

WHEN ORDERING SPARES YOU MUST STATE THE FULL PART NUMBER AND THE PRODUCT SERIAL NUMBER - FROM THE LABEL TO PROTECT YOUR WARRANTY ALWAYS USE GENUINE HI-FORCE PARTS.



ITEM NO.	PART NUMBER	DESCRIPTION	QTY.	SPARE PARTS	REVISION
1	TAC025AS006	25L TANK	1		1 5717
2	BLC021YT010	SIGHT GLASS HGF.13 BLACK OIL LEVEL INDICATOR	2		2
3	DCSF00328	DOUBLE SIDED MAGNET	1		3
4	FPC013PC001	12" BSPT HEX SOCKET PLUG	1		4
5	NUC021-B000	1/2" BSP LOCK NUT	2		5
6	FFC028PZ001	FILLER/BREATHER	1		6
					7
					8
					9
					10
					11
					12
					13
					14
					15
					16
					17
					18
					19
					20

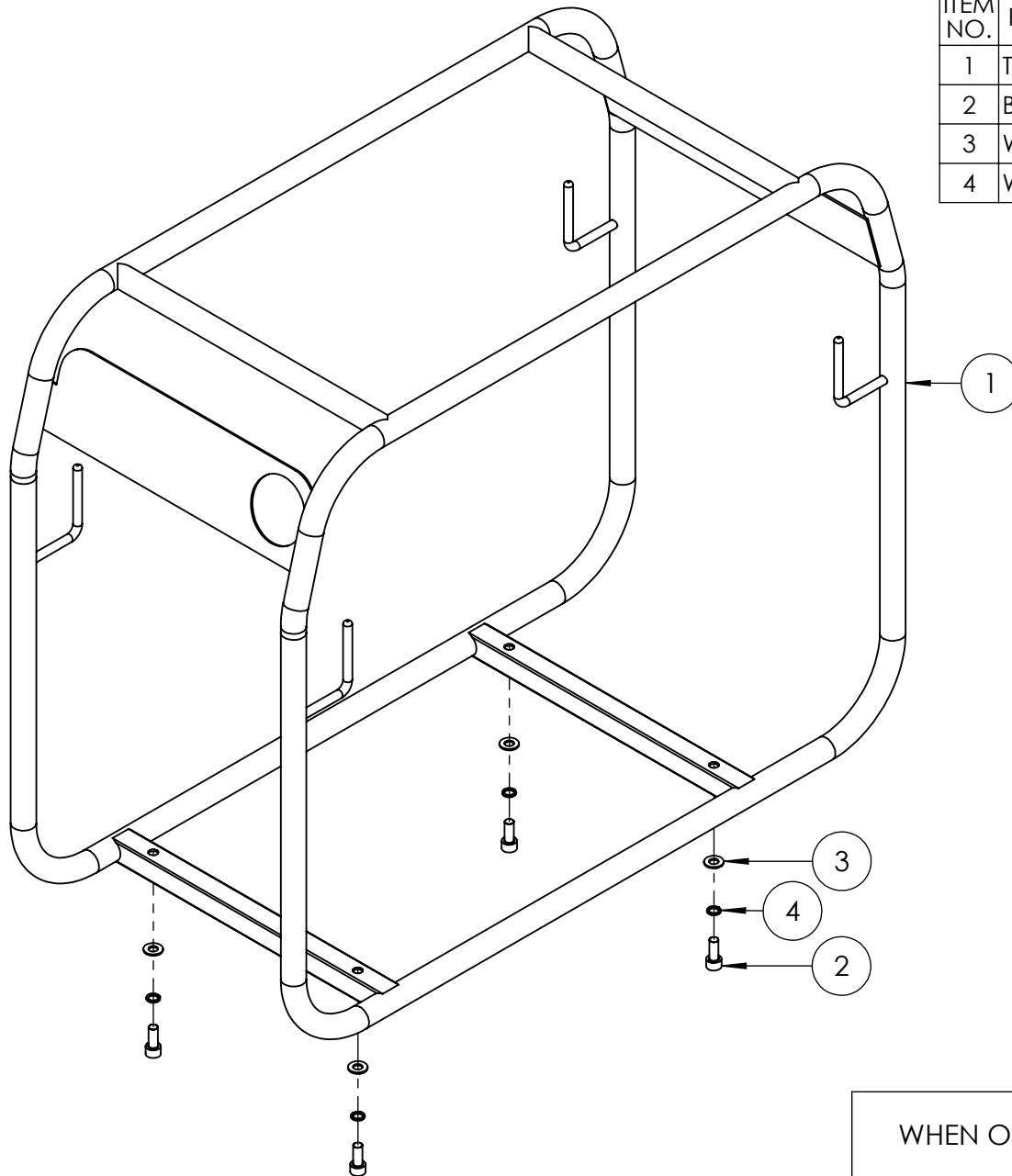
**NOTE:**

- ALL PARTS ARE AVAILABLE TO BE ORDERED AS SPARE PARTS (UNLESS MARKED WITH **X**).

**IMPORTANT**

WHEN ORDERING SPARES YOU MUST STATE THE FULL PART NUMBER AND THE PRODUCT SERIAL NUMBER - FROM THE LABEL TO PROTECT YOUR WARRANTY ALWAYS USE GENUINE HI-FORCE PARTS.

ITEM NO.	PART NUMBER	DESCRIPTION	QTY.	SPARE PARTS	REVISION
1	TAC025CS003	25L ROLL FRAME	1		1 5717
2	BLC008KD020	M8 x 20 mm HEX SOCKET CAP HEAD SCREW	4		2
3	WAC008AB000	M8 PLAIN WASHER	4		3
4	WAC008BB000	M8 ZINC PLATED SPRING WASHER	4		4
					5
					6
					7
					8
					9
					10
					11
					12
					13
					14
					15
					16
					17
					18
					19
					20

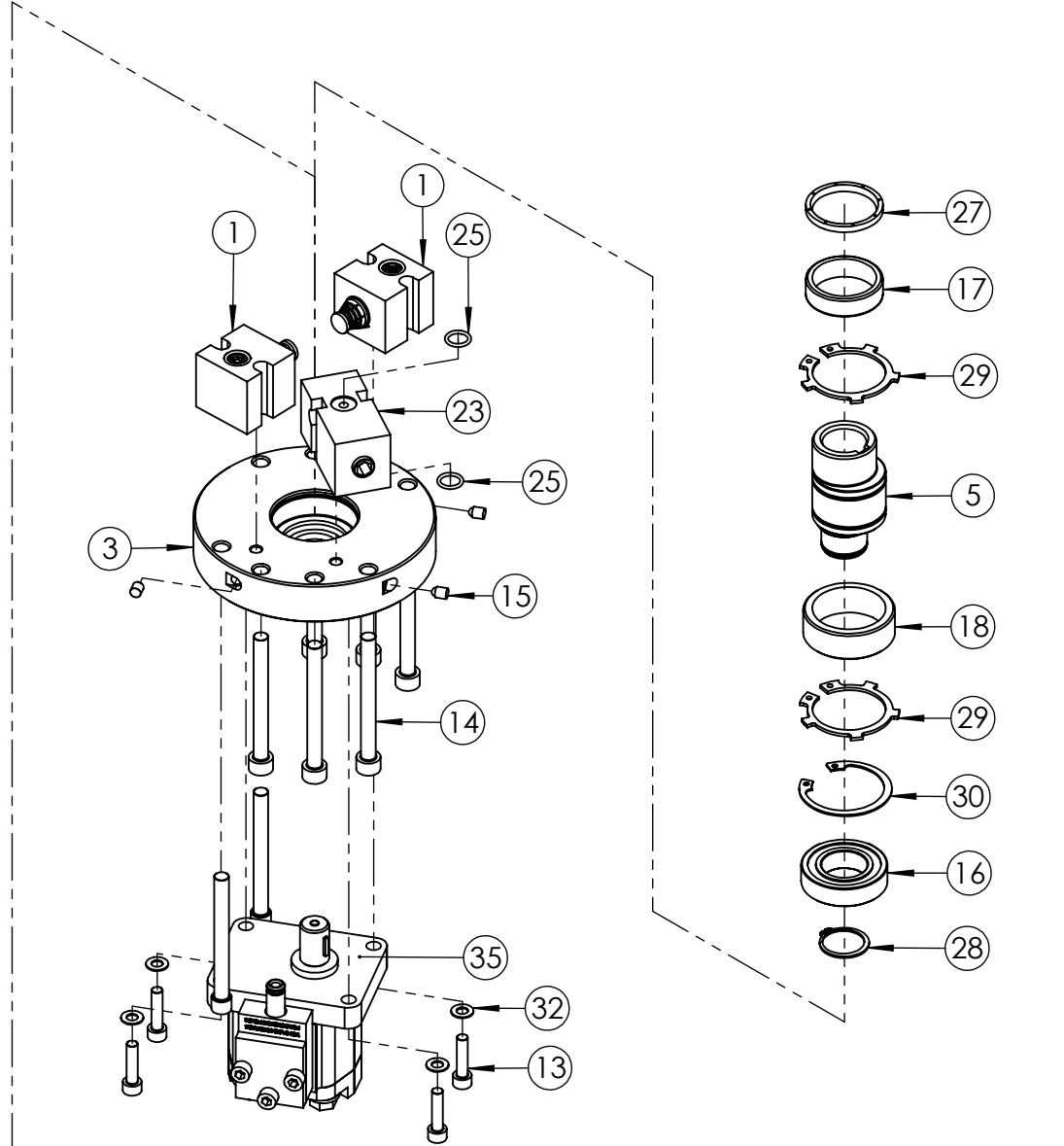
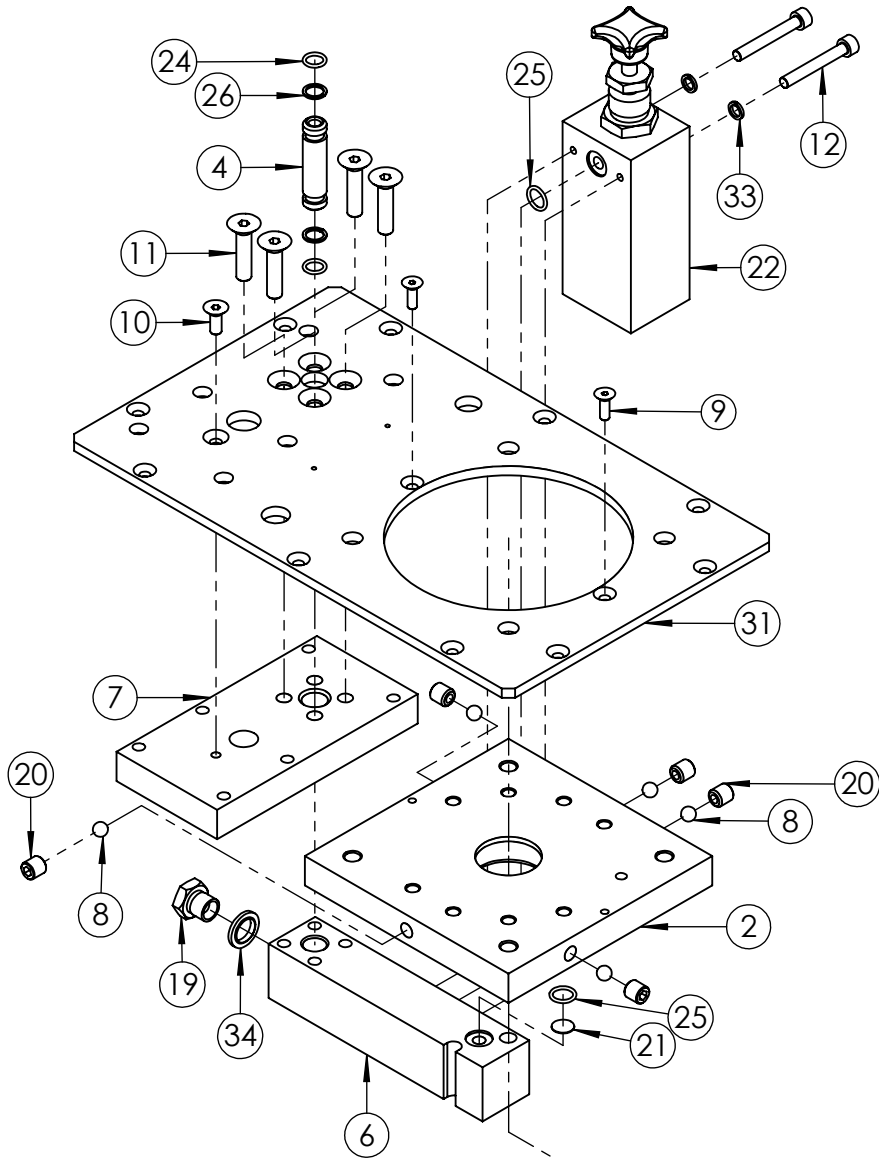


**NOTE:**

- ALL PARTS ARE AVAILABLE TO BE ORDERED AS SPARE PARTS (UNLESS MARKED WITH ✕).

**IMPORTANT**

WHEN ORDERING SPARES YOU MUST STATE THE FULL PART NUMBER AND THE PRODUCT SERIAL NUMBER - FROM THE LABEL TO PROTECT YOUR WARRANTY ALWAYS USE GENUINE HI-FORCE PARTS.



REVISION

1	5717
2	5866
<b>3</b>	5939
4	
5	
6	
7	
8	
9	
10	
11	
12	
13	
14	
15	
16	
17	
18	
19	
20	

**IMPORTANT**  
WHEN ORDERING SPARES YOU MUST STATE THE FULL PART NUMBER AND THE PRODUCT SERIAL NUMBER - FROM THE LABEL TO PROTECT YOUR WARRANTY ALWAYS USE GENUINE HI-FORCE PARTS.

ITEM NO.	PART NUMBER	DESCRIPTION	QTY.	SPARE PARTS	SERVICE PARTS
1	<b>15494-A</b>	PISTON BLOCK ASSEMBLY	2		
2	15497	UPPER PLATE	1		
3	15499	LOWER PLATE	1		
4	15503	CONNECTOR PIPE	1		
5	15505	24mm DRIVE SHAFT	1		
6	17587	TRANSFER BLOCK	1		
7	17588	VALVE PLATE	1		
8	BAC008SN000	Ø8 mm STEEL BALL GRADE 100	5		
9	BLC005HF016	M5 x 16 mm HEX SOCKET COUNTERSUNK SCREW	2		
10	BLC006JE016	M6 x 16 mm HEX SOCKET COUNTERSUNK SCREW	1		
11	BLC008KF035	M8 x 35 mm HEX SOCKET COUNTERSUNK SCREW	4		
12	BLC006JC045	M6 x 45 mm HEX SOCKET CAP HEAD SCREW	2		
13	BLC006JD025	M6 x 25 mm HEX SOCKET CAP HEAD SCREW	4		
14	BLC008KC080	M8 x 80 mm HEX SOCKET CAP HEAD SCREW	6		
15	BPC006RS001	SEALING PLUG	3		
16	BSC025MC001	LOWER PLATE BEARING	1		
17	BSC035NC001	UPPER PLATE BEARING	1		
18	BSC040ND001	ECCENTRIC BEARING	1		
19	FAS006GJ010	1/4" BSP HEX HEAD BLANKING PLUG	1		
20	FAS010MA010	M10 X 10 CUP POINT GRUB SCREW	5		
21	FFC012MA001	SUCTION FILTER	1		
22	HPRV1	HIGH PRESSURE R/VALVE	1		
23	LPRV1	LOW PRESSURE R/VALVE	1		
24	SEC013RA001	O-RING - I.D. 9.25mm, C.S. 1.78mm, NITRILE 90	2		✓
25	SEC014RF001	O-RING - I.D. 10.82 mm, C.S. 1.78 mm, NITRILE 90	4		✓

ITEM NO.	PART NUMBER	DESCRIPTION	QTY.	SPARE PARTS	SERVICE PARTS
26	SEC013BA001	BACK-UP RING - PTFE, SOLID SPLIT	2		✓
27	SEC035WE001	UPPER PLATE OIL SEAL	1		
28	STC025AA001	EXTERNAL CIRCLIP - 25 x 1.2 mm D1400/025	1		
29	STC040AA001	EXTERNAL CIRCLIP - 40 x 1.75 mm D2100/0400	2		
30	STC047BA001	INTERNAL CIRCLIP - 47 x 1.75 mm D1300/0470	1		
31	TAC000BA003	COVER PLATE	1		
32	WAC006AF000	M6 ZINC WASHER	4		
33	WAC006BC001	M6 SPRING ZINC WASHER (SQUARE SECTION)	2		
34	WAC007HD000	1/4" BSP SELF CENTERING BONDED WASHER	1		
35	<b>PMA048GZ001</b>	GP48 GEAR PUMP ASSEMBLY	1		

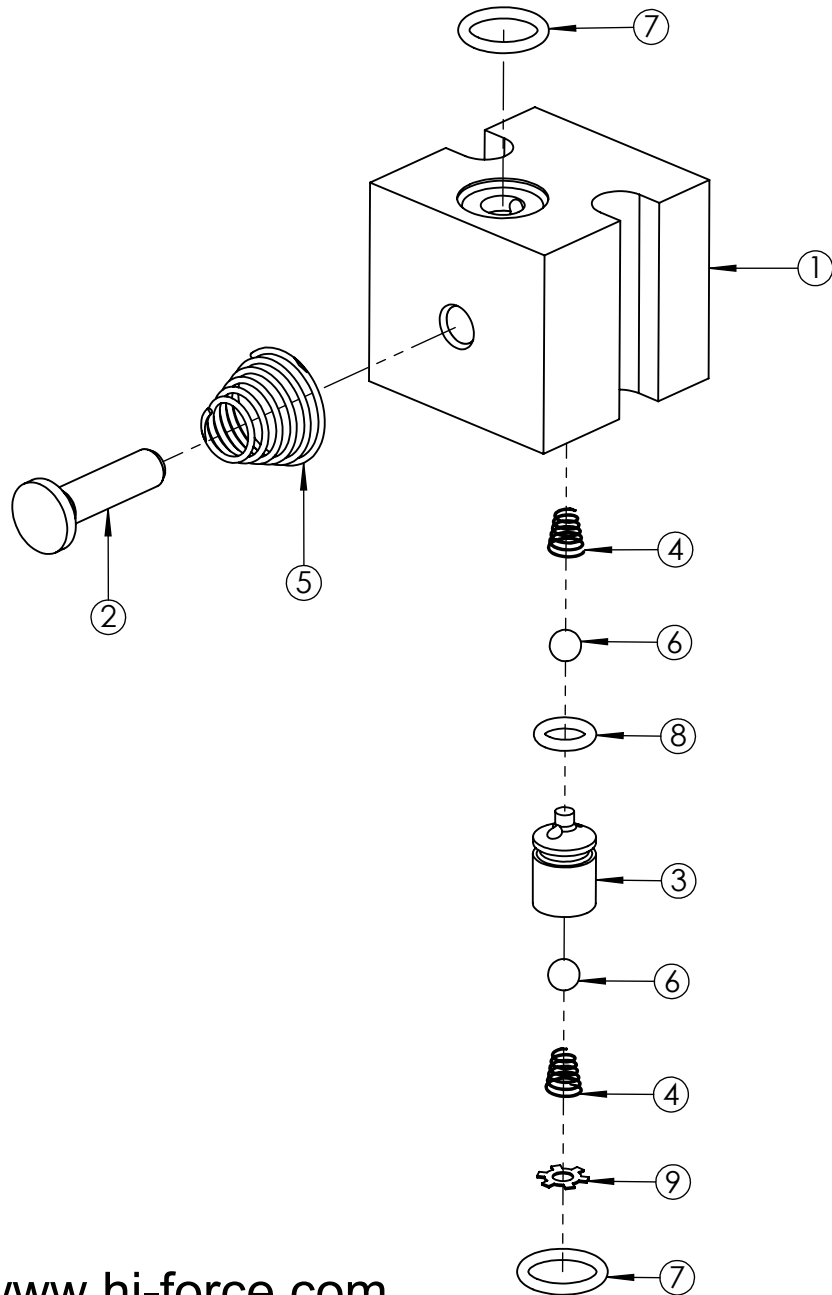
REVISION
1
2
3
4
5
6
7
8
9
10
11
12
13
14
15
16
17
18
19
20

**NOTE:**

- ALL PARTS ARE AVAILABLE TO BE ORDERED AS SPARE PARTS (UNLESS MARKED WITH X).
- ONLY PARTS MARKED WITH ✓ ARE AVAILABLE AS BOTH SPARE PARTS OR SERVICEABLE PARTS, FROM **HEP-SK1 PUMP SERVICE KIT**. (REFER TO HEP-SK1: PUMP SERVICE KIT EVD FOR FULL PARTS LIST)
- IF ITEM NO. 23 (**LPRV1**) IS ORDERED AS A SPARE PART, THIS ALREADY COMES WITH 2 OFF ITEM NO. 25 (**SEC014RF001**). THEREFORE THESE ARE NOT REQUIRED TO BE ORDERED SPERATELY.
- FOR SUB ASSEMBLIES - ITEM NO. 1 (**15494-A**) & ITEM NO. 35 (**PMA048GZ001**) REFER TO THEIR INDIVIDUAL EVD'S.

**IMPORTANT**

WHEN ORDERING SPARES YOU MUST STATE THE FULL PART NUMBER AND THE PRODUCT SERIAL NUMBER - FROM THE LABEL TO PROTECT YOUR WARRANTY ALWAYS USE GENUINE HI-FORCE PARTS.



ITEM NO.	PART NUMBER	DESCRIPTION	QTY.	SPARE PARTS	SERVICE PARTS	REVISION
1	15494	PISTON BLOCK	1	X		1 5717
2	15495	PISTON	1	X		2 5866
3	15496	VALVE SEAT	1	X		3
4	15509	SUCTION/DELIVERY SPRING	2	X		4
5	15508	PUMP SPRING	1	X		5
6	BAC005SN000	Ø5 mm STEEL BALL GRADE 100	2	X		6
7	SEC014RF001	O-RING - I.D. 10.82 mm, C.S. 1.78 mm, NITRILE 90	2		✓	7
8	SEC010RA001	O-RING - I.D. 6.35 mm, C.S. 1.78 mm, NITRILE 70	1	X		8
9	STC008SA001	N1305-0031 SELF LOCKING RING	1	X		9
						10
						11
						12
						13
						14
						15
						16
						17
						18
						19
						20

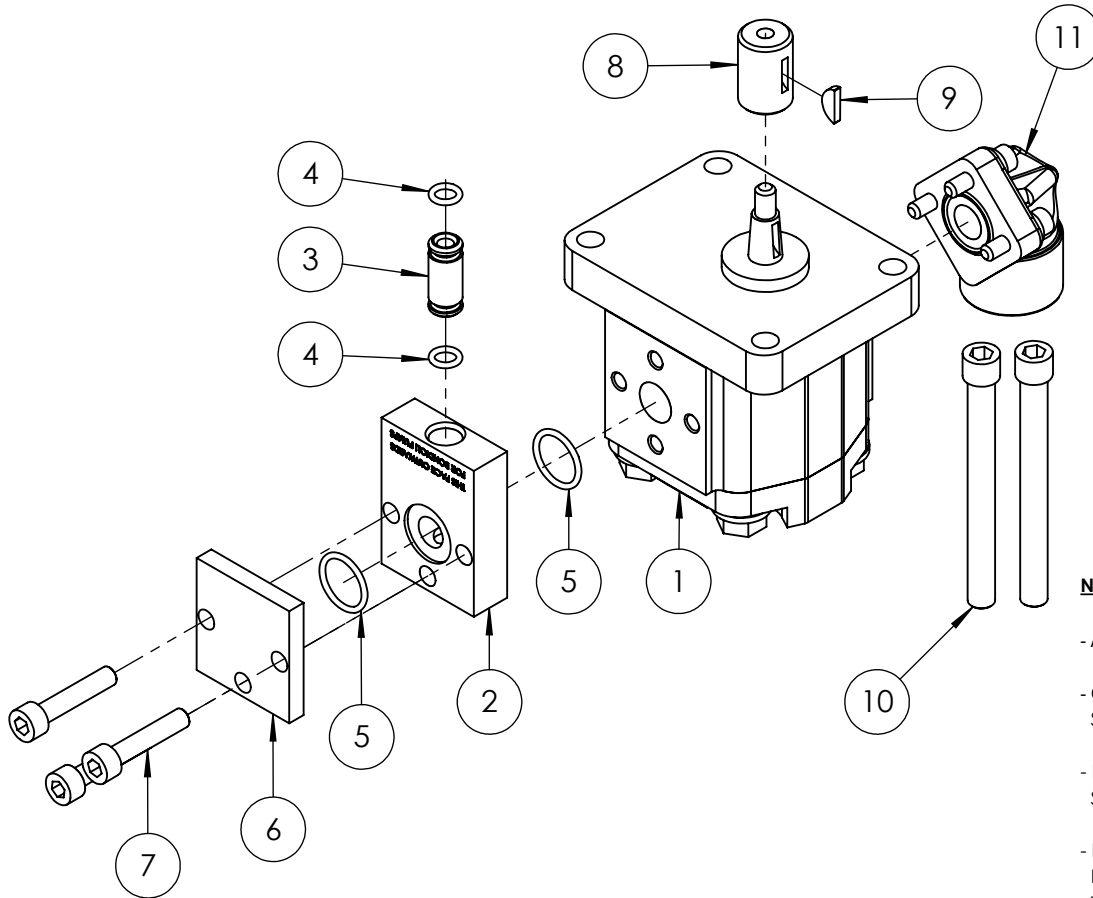
**NOTE:**

- ALL PARTS ARE AVAILABLE TO BE ORDERED AS SPARE PARTS (UNLESS MARKED WITH X).

- ONLY PARTS MARKED WITH ✓ ARE AVAILABLE AS BOTH SPARE PARTS OR SERVICEABLE PARTS, FROM **HEP-SK1 PUMP SERVICE KIT**. (REFER TO HEP-SK1: PUMP SERVICE KIT EVD FOR FULL PARTS LIST).

**IMPORTANT**

WHEN ORDERING SPARES YOU MUST STATE THE FULL PART NUMBER AND THE PRODUCT SERIAL NUMBER - FROM THE LABEL TO PROTECT YOUR WARRANTY ALWAYS USE GENUINE HI-FORCE PARTS.



ITEM NO.	PART NUMBER	DESCRIPTION	QTY.	SPARE PARTS	SERVICE PARTS	REVISION	
1	GP48	GEAR PUMP	1			1	5939
2	PMC000TM001	TRANSFER PLATE	1			2	5983
3	15510A	CONNECTOR TUBE	1			3	
	15510B	CONNECTOR TUBE	1			4	
4	SEC010RA001	O-RING - I.D. 6.35 mm, C.S. 1.78 mm, NITRILE 70	2		✓	5	
5	SEC019RF002	O-RING - I.D. 15.60, C.S. 1.78mm, NITRILE 90	2		✓	6	
6	PMC000XM001	SEALING PLATE	1			7	
7	BLC006JD030	M6 x 30 mm HEX SOCKET CAP HEAD SCREW	3			8	
8	15507	ADAPTOR	1			9	
9	PCC002WC001	KEY TO FIT 200/300 PUMPS	1			10	
10	FAS008SP080	M8 X 80 HEX SOCKET REDUCED CAP HEAD SCREW (FULLY THREADED)	2			11	
11	FPA013DC001	GEAR PUMP ELBOW (INC WITH GEAR PUMP)	1	x		12	

**NOTE:**

- ALL PARTS ARE AVAILABLE TO BE ORDERED AS SPARE PARTS (UNLESS MARKED WITH x)
- ONLY PARTS MARKED WITH ✓ ARE AVAILABLE AS BOTH SPARE PARTS OR SERVICEABLE PARTS, FROM HEP SK1 PUMP SERVICE KIT. (REFER TO HEP-SK1: PUMP SERVICE KIT EVD FOR FULL PARTS LIST)
- POSITION OF ITEM NO. 2 (PMC000TM001) IS TO BE DETERMINED BY THE BRAND OF THE GP48 GEAR PUMP SUPPLIED (REFER TO SHEET 2 FOR FURTHER DETAILS)
- ITEM NO. 3 USED IS DETERMINED BY THE BRAND OF THE GP48 GEAR PUMP SUPPLIED FOR HEP, HAP AND HPP PUMPS WITH SERIAL NUMBERS EARLIER THAN **BR9070**. FOR BONDIOLI GEAR PUMPS USE CONNECTOR TUBE 15510A AND FOR GALTECH GEAR PUMPS USE CONNECTOR TUBE 15510B (REFER TO SHEET 2 FOR FURTHER DETAILS)
- ITEM NO.10 (FAS008SP080) ARE TO REPLACE TWO SCREWS (BLC008KC080) ON THE TYPE200-24, PRIOR TO FITTING PMA048GZ001 (REFER TO SHEET 3 FOR FURTHER DETAILS)
- INDIVIDUAL ITEMS ARE NOT AVAILABLE AS SPARE PARTS FOR HEP, HAP AND HPP PUMPS WITH SERIAL NUMBERS EARLIER THAN **BR9070**. GP48 GEAR PUMP ASSEMBLY (PMA048GZ001) WILL NEED TO BE ORDERED. INDIVIDUAL ITEMS APART FROM ITEM NO.11 ARE AVAILABLE AS SPARE PARTS FOR HEP, HAP AND HPP PUMPS WITH SERIAL NUMBERS ABOVE **BR9070**

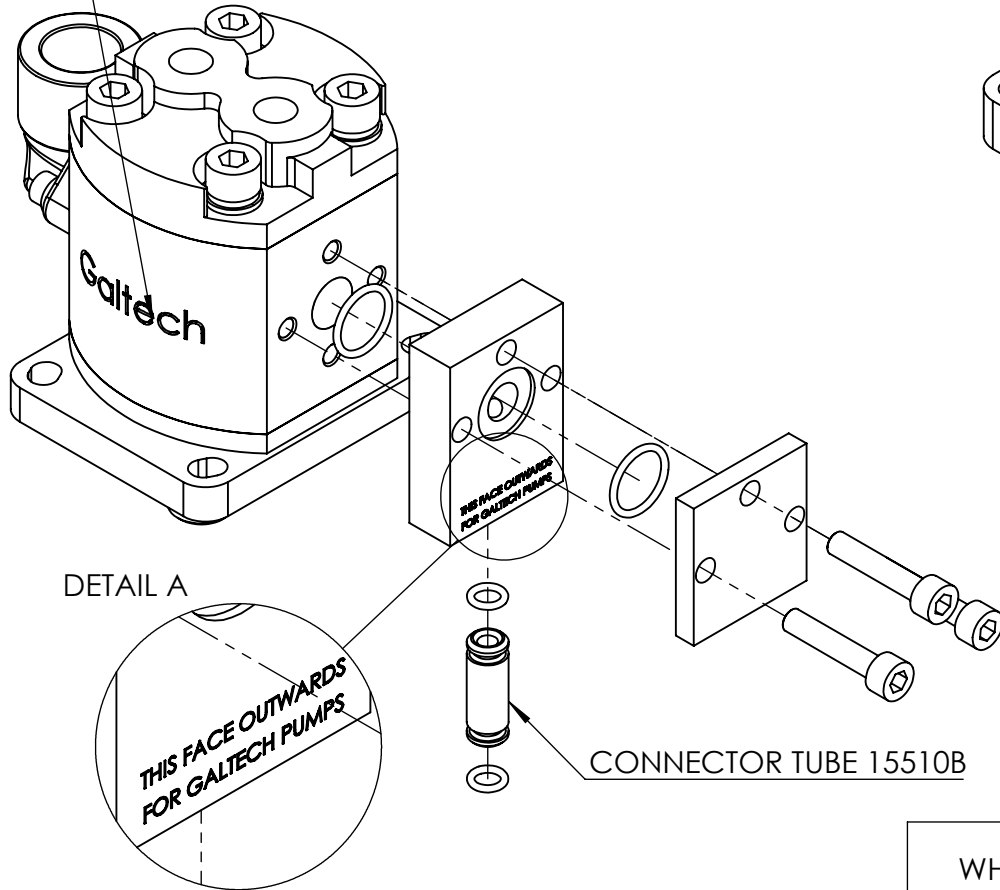
**IMPORTANT**

WHEN ORDERING SPARES YOU MUST STATE THE FULL PART NUMBER AND THE PRODUCT SERIAL NUMBER - FROM THE LABEL TO PROTECT YOUR WARRANTY ALWAYS USE GENUINE HI-FORCE PARTS.

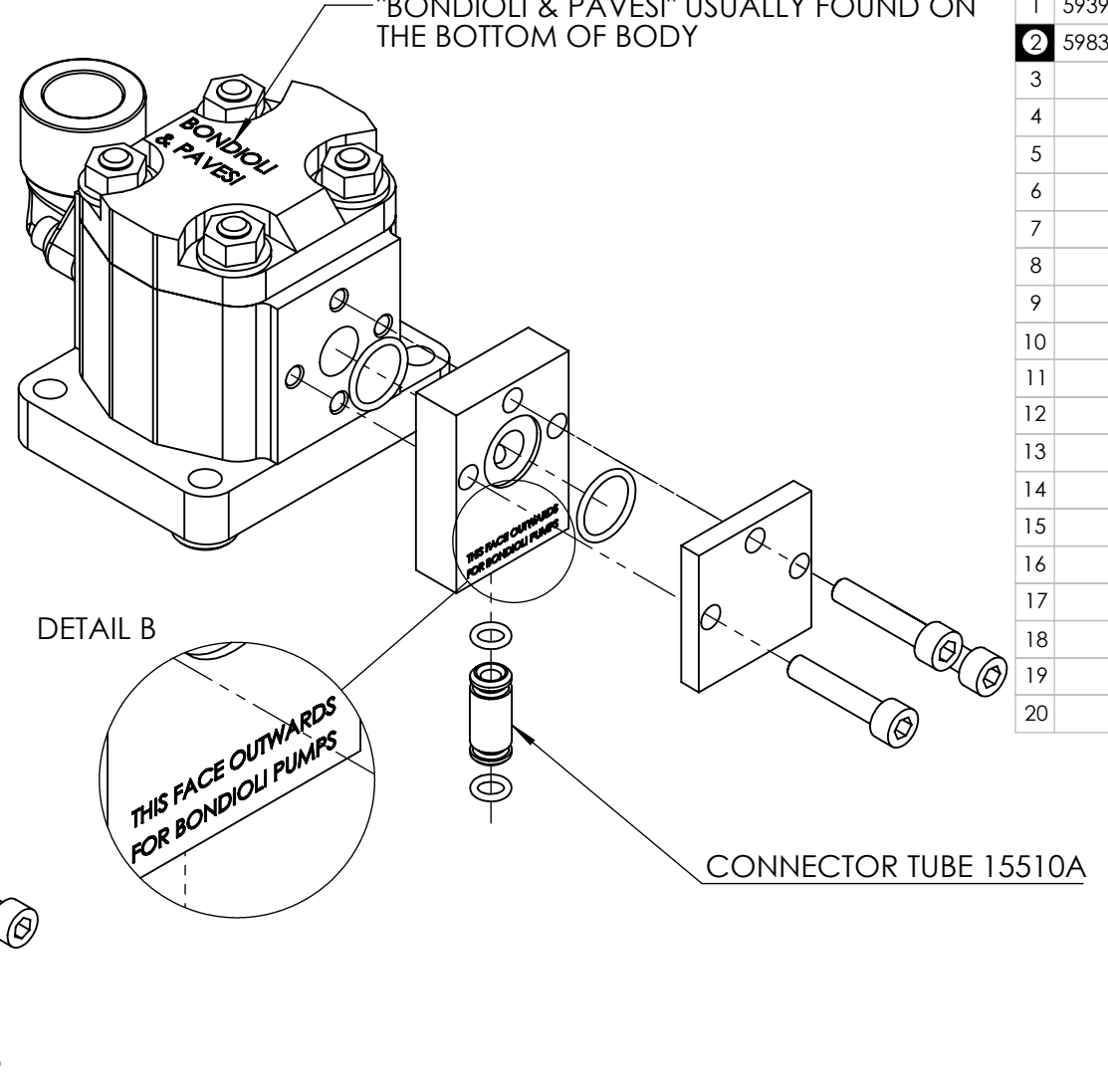


**ORIENTATION OF TRANSFER PLATE**

FOR GALTECH GEAR PUMPS, LOOK FOR "GALTECH" USUALLY FOUND ON THE SIDE OF THE BODY



FOR BONDIOLI GEAR PUMPS, LOOK FOR "BONDIOLI & PAVESI" USUALLY FOUND ON THE BOTTOM OF BODY



REVISION

1	5939
<b>2</b>	5983
3	
4	
5	
6	
7	
8	
9	
10	
11	
12	
13	
14	
15	
16	
17	
18	
19	
20	

**IMPORTANT**  
WHEN ORDERING SPARES YOU MUST STATE THE FULL PART NUMBER AND THE PRODUCT SERIAL NUMBER - FROM THE LABEL TO PROTECT YOUR WARRANTY ALWAYS USE GENUINE HI-FORCE PARTS.

REVISION

1 5939

**2** 5983

3

4

5

6

7

8

9

10

11

12

13

14

15

16

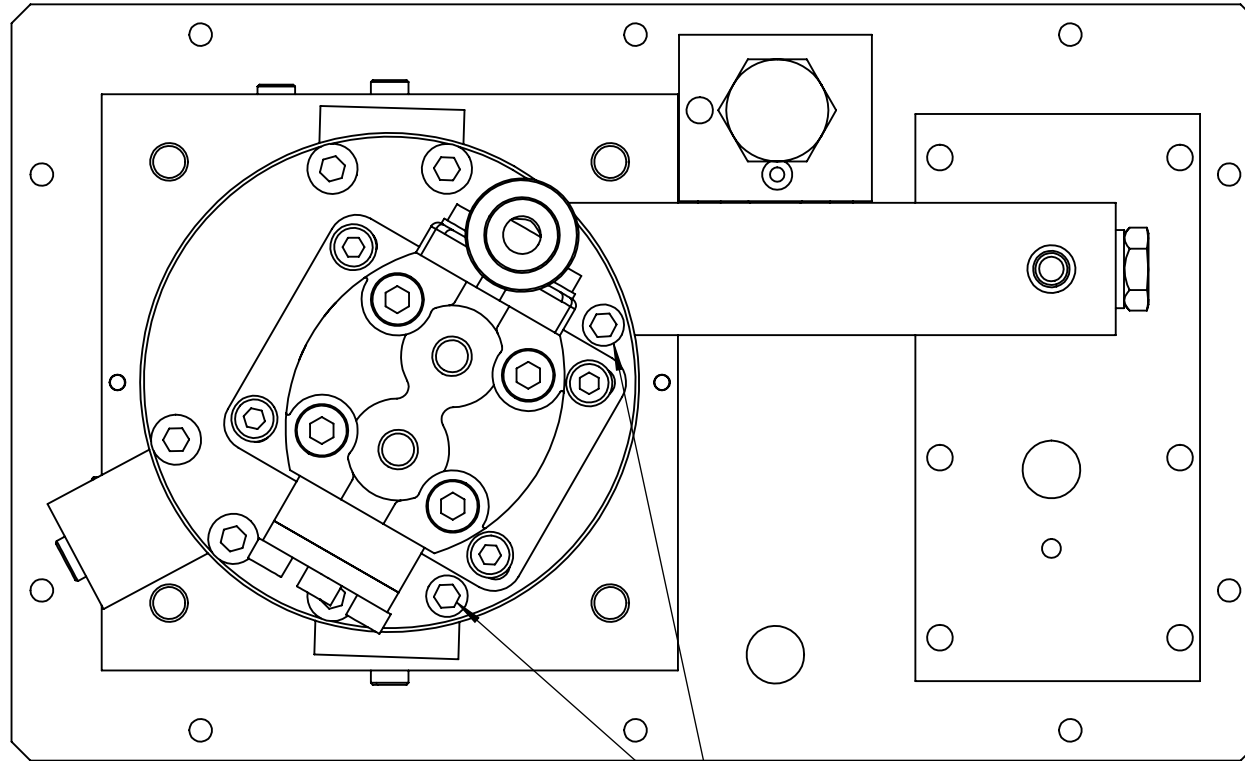
17

18

19

20

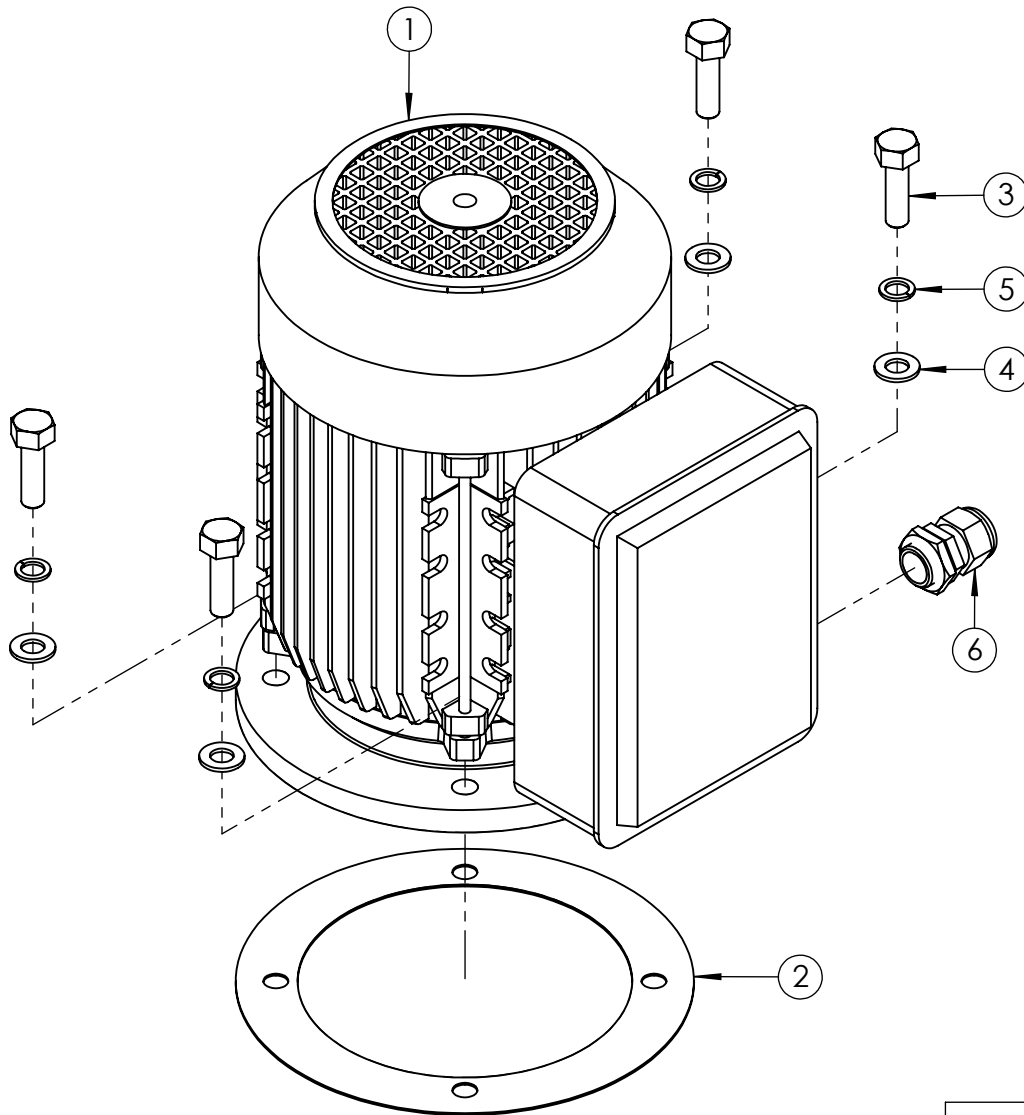
**TYPE200-24: BOTTOM VIEW**



REMOVE THE TWO CURRENT SCREWS FROM THESE TWO POSITIONS AND REPLACE WITH ITEM NO. 10 (FAS008SP080)

**IMPORTANT**

WHEN ORDERING SPARES YOU MUST STATE THE FULL PART NUMBER AND THE PRODUCT SERIAL NUMBER - FROM THE LABEL TO PROTECT YOUR WARRANTY ALWAYS USE GENUINE HI-FORCE PARTS.



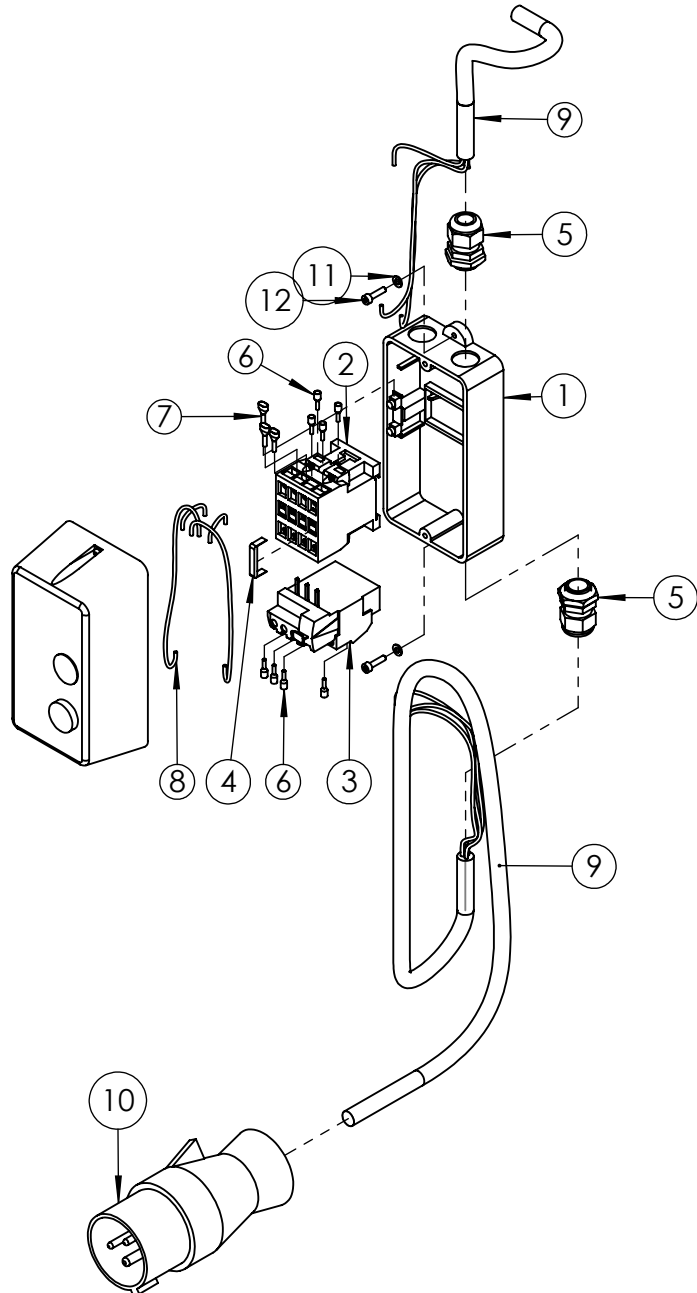
ITEM NO.	PART NUMBER	DESCRIPTION	QTY.	SPARE PARTS	SERVICE PARTS	REVISION
1	EM230-1.5-4LAF	ELECTRIC MOTOR 1.5KW 230VAC	1			1 5717
2	SEC001KT003	GASKET	1		✓	2
3	BLC010LB035	M10 x 35 mm HEX HEAD BOLT, ZINC PLATED	4			3
4	WAC010AB000	M10 ZINC PLATED FLAT WASHER	4			4
5	WAC010BZ000	M10 SPRING WASHER	4			5
6	NUC020LS002	GLAND 6-12MM	1			6
						7
						8
						9
						10
						11
						12
						13
						14
						15
						16
						17
						18
						19
						20

**NOTE:**

- ALL PARTS ARE AVAILABLE TO BE ORDERED AS SPARE PARTS (UNLESS MARKED WITH **X**).
- ONLY PARTS MARKED WITH **✓** ARE AVAILABLE AS BOTH SPARE PARTS OR SERVICEABLE PARTS, FROM **HEP-SK1 PUMP SERVICE KIT**. (REFER TO HEP-SK1: PUMP SERVICE KIT EVD FOR FULL PARTS LIST)

**IMPORTANT**

WHEN ORDERING SPARES YOU MUST STATE THE FULL PART NUMBER AND THE PRODUCT SERIAL NUMBER - FROM THE LABEL TO PROTECT YOUR WARRANTY ALWAYS USE GENUINE HI-FORCE PARTS.



ITEM NO.	PART NUMBER	DESCRIPTION	QTY.	SPARE PARTS	SERVICE PARTS	REVISION
1	EMC000EF001	ENCLOSURE WITH PUSH BUTTONS P1MT	1			1 5717
2	EMC230KE001	CONTACTOR 230 VOLT	1			2
3	EMC230RE001	OVERLOAD RELAY 8-11 AMPS	1			3
4	EMC110XF001	BRIDGING BAR	1			4
5	NUC020LS002	GLAND 6-12MM	2			5
6	CEC250SX001	BOOTLACE FERRULE (INSULATED) 2.5mm GREY	8			6
7	CEC250SX002	TWIN BOOTLACE FERRULE 2.5 mm <sup>2</sup>	3			7
8	CEC250AC000	SINGLE CORE TR-RATED CABLE 2.5 mm <sup>2</sup>	1			8
9	CEC250CC000	3 CORE CABLE 2.5mm <sup>2</sup> H07RN-F3G 2.5	2			9
10	MCC240EP002	240V 16 Amp PLUG	1			10
11	WAC004YB000	M4 WASHER ST	2			11
12	BLC004JD016	M4 X 16 HEX SOCKET, CAP HEAD SCREW	2			12
						13
						14
						15
						16
						17
						18
						19
						20

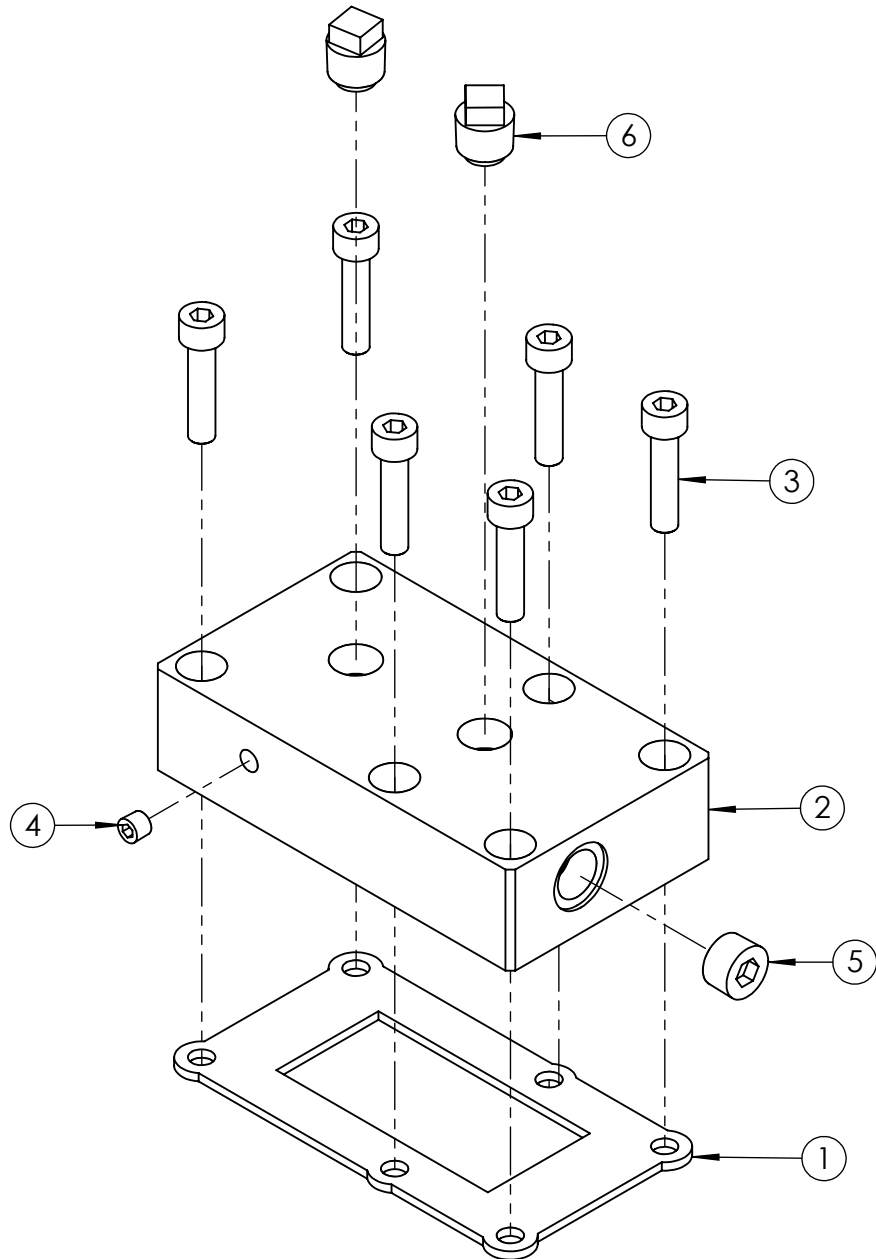
**NOTE:**

- ALL PARTS ARE AVAILABLE TO BE ORDERED AS SPARE PARTS (UNLESS MARKED WITH X).

**IMPORTANT**

WHEN ORDERING SPARES YOU MUST STATE THE FULL PART NUMBER AND THE PRODUCT SERIAL NUMBER - FROM THE LABEL TO PROTECT YOUR WARRANTY ALWAYS USE GENUINE HI-FORCE PARTS.

ITEM NO.	PART NUMBER	DESCRIPTION	QTY.	SPARE PARTS	REVISION
1	SEC003KT001	VALVE GASKET	1		1 5717
2	VFC010BF010	CONNECTOR PLATE	1		2
3	BLC008KD035	M8 x 35 mm HEX SOCKET CAP HEAD SCREW	6		3
4	FPC002PN001	1/16" x 7/8" NPT SOCKET PLUG	1		4
5	FPC010PN002	3/8" X 7/8" NPT SOCKET PLUG	1		5
6	BPC010SP004	3/8 NPT PLASTIC BLANKING PLUG (RED)	2		6
					7
					8
					9
					10
					11
					12
					13
					14
					15
					16
					17
					18
					19
					20

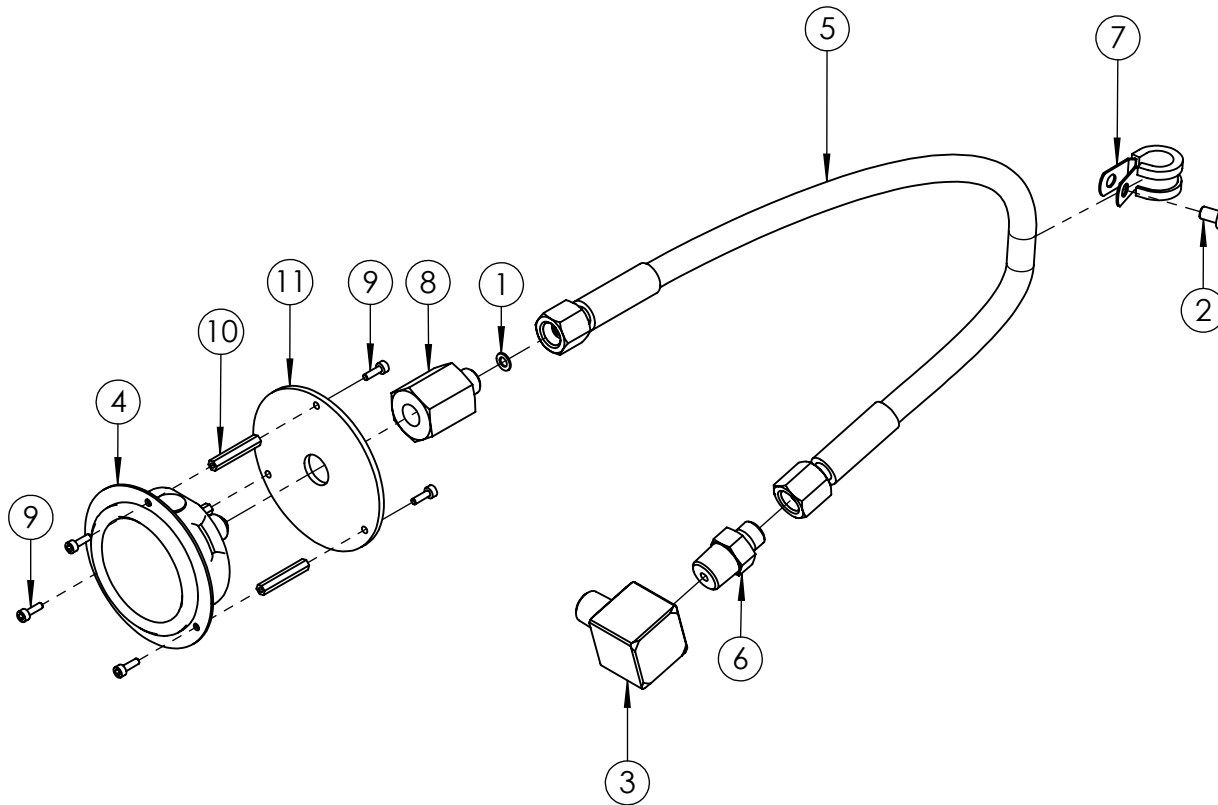


**NOTE:**

- ALL PARTS ARE AVAILABLE TO BE ORDERED AS SPARE PARTS (UNLESS MARKED WITH **X**).

**IMPORTANT**

WHEN ORDERING SPARES YOU MUST STATE THE FULL PART NUMBER AND THE PRODUCT SERIAL NUMBER - FROM THE LABEL TO PROTECT YOUR WARRANTY ALWAYS USE GENUINE HI-FORCE PARTS.



ITEM NO.	PART NUMBER	DESCRIPTION	QTY.	SPARE PARTS	REVISION
1	WAC005EC001	M5 X 9 X 1.0 COPPER SEALING WASHER	1		1 5717
2	BLC006JH010	M6 X 10 mm, HEX SOCKET, BUTTON HEAD SCREW	1		2
3	HF16	ELBOW, 3/8" NPT FEMALE TO 3/8" NPT MALE	1		3
4	PGB063PF001	FLANGE MOUNTED 700 Bar PRESSURE GAUGE	1		4
5	HOC006GB001	700 Bar GAUGE HOSE WITH 1/4" BSP CONE FEMALE FITTINGS	1		5
6	FPC010BN008	M/M ADAPTOR 3/8 NPT x 1/4 BSP INT 60° CONE 1000 Bar (STAINLESS STEEL)	1		6
7	ANC013PC001	13mm BLACK STAINLESS STEEL P CLIP	1		7
8	FPC006BB002	700 Bar SS 1/4" BSPP x BSPP FIXED FEMALE GAUGE ADAPTOR	1		8
9	BLC003ZD010	M3 X 10 mm HEX SOCKET CAP HEAD SCREW	6		9
10	NUC003UK001	M3 FEMALE STEEL HEX STANDOFF 30mm LONG	3		10
11	SFC085HA001	STRAIN RELIEF PLATE	1		11

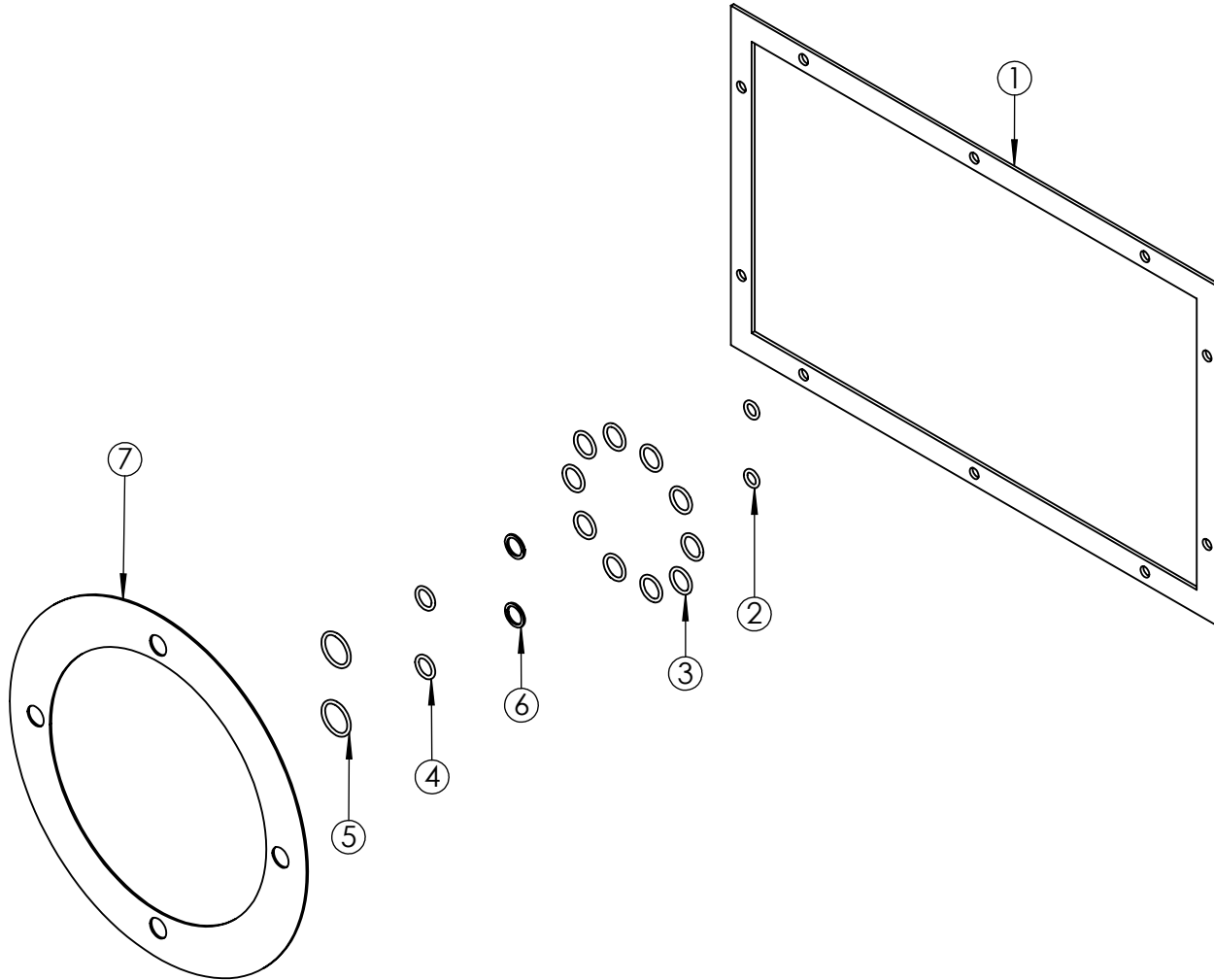
**NOTE:**

- ALL PARTS ARE AVAILABLE TO BE ORDERED AS SPARE PARTS (UNLESS MARKED WITH X).

**IMPORTANT**

WHEN ORDERING SPARES YOU MUST STATE THE FULL PART NUMBER AND THE PRODUCT SERIAL NUMBER - FROM THE LABEL TO PROTECT YOUR WARRANTY ALWAYS USE GENUINE HI-FORCE PARTS.

ITEM NO.	PART NUMBER	DESCRIPTION	QTY.	REVISION
1	15482	TANK GASKET	1	1 5717
2	SEC010RA001	O-RING - I.D. 6.35 mm, C.S. 1.78 mm, NITRILE 70	2	2 5939
3	SEC014RF001	O-RING - I.D. 10.82 mm, C.S. 1.78 mm, NITRILE 90	10	3
4	SEC013RA001	O-RING - I.D. 9.25mm, C.S. 1.78mm, NITRILE 90	2	4
5	SEC019RF002	O-RING - I.D. 15.60, C.S. 1.78mm, NITRILE 90	2	5
6	SEC013BA001	BACK-UP RING - PTFE, SOLID SPLIT	2	6
7	SEC001KT003	GASKET	1	7
				8
				9
				10
				11
				12
				13
				14
				15
				16
				17
				18
				19
				20



**IMPORTANT**  
WHEN ORDERING SPARES YOU MUST STATE THE FULL PART NUMBER AND THE PRODUCT SERIAL NUMBER - FROM THE LABEL TO PROTECT YOUR WARRANTY ALWAYS USE GENUINE HI-FORCE PARTS.