

REVISION

1 5717

2 6146

3

4

5

6

7

8

9

10

11

12

13

14

15

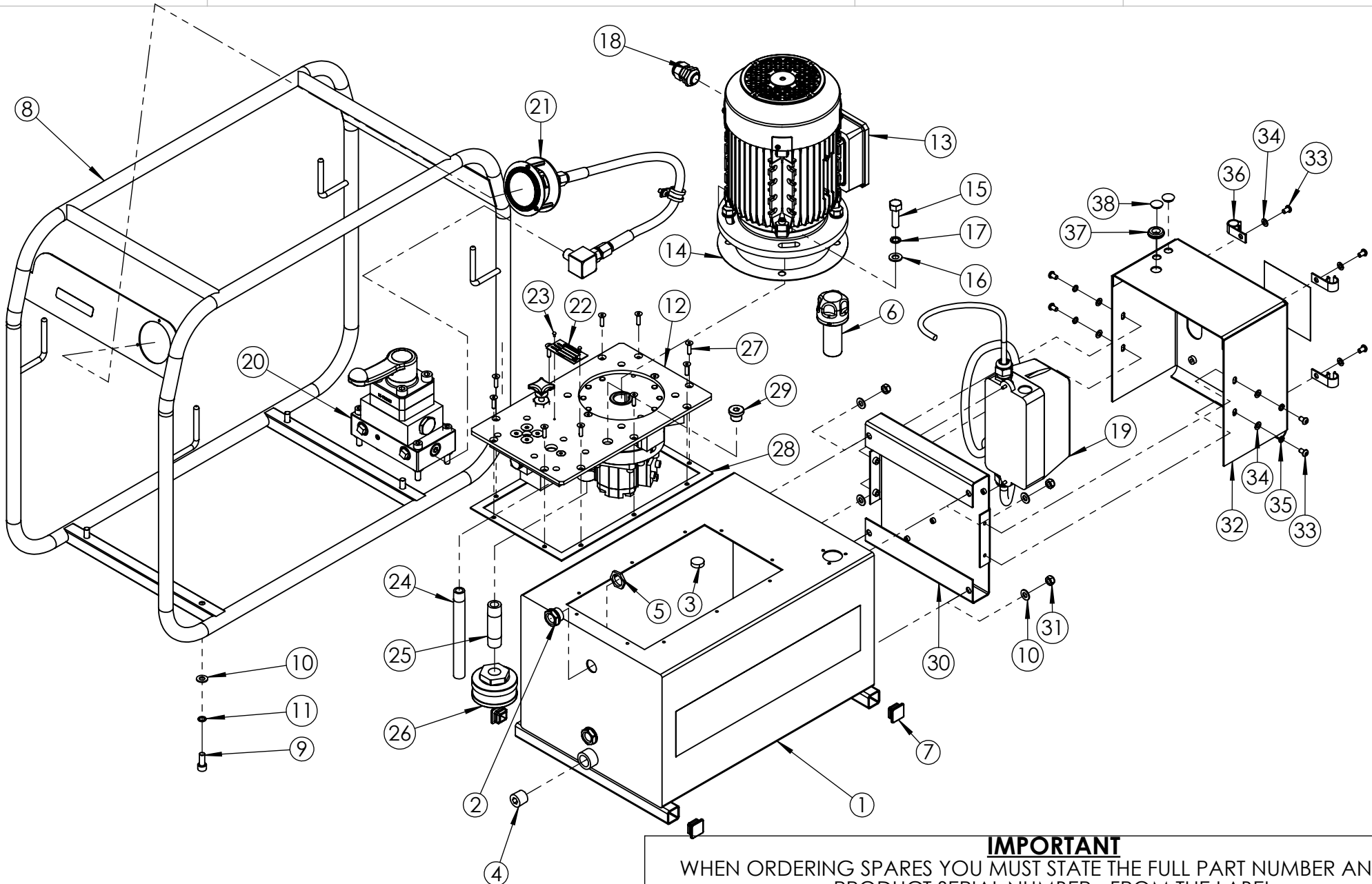
16

17

18

19

20



IMPORTANT

WHEN ORDERING SPARES YOU MUST STATE THE FULL PART NUMBER AND THE
PRODUCT SERIAL NUMBER - FROM THE LABEL
TO PROTECT YOUR WARRANTY ALWAYS USE GENUINE HI-FORCE PARTS.

ITEM NO.	PART NUMBER	DESCRIPTION	QTY.	SPARE PARTS	SERVICE PARTS	ITEM NO.	PART NUMBER	DESCRIPTION	QTY.	SPARE PARTS	SERVICE PARTS
1	TAC025AS006	25L TANK	1			27	BLC005HF020	M5 x 20 mm HEX SOCKET COUNTERSUNK SCREW	10		
2	BLC021YT010	SIGHT GLASS HGF.13 BLACK OIL LEVEL INDICATOR	2			28	15482	TANK GASKET	1		✓
3	DCSF00328	DOUBLE SIDED MAGNET	1			29	FPC010PB001	3/8" BSP BLANKING PLUG	1		
4	FPC013PC001	1/2" BSP PLUG - HEX SOCKET	1			30	TAC000FS003	MOUNTING PLATE	1		
5	NUC021-B000	1/2" BSP LOCK NUT	2			31	NUC008KC000	M8 NYLOC NUT	4		
6	FFC028PZ001	FILLER/BREATHER	1			32	TAC000FS004	HOUSING	1		
7	BPC025KP001	1" SQ RIBBED INSERT BLACK	4			33	BLC006JH010	M6 X 10 mm BUTTON HEAD HEX SOCKET SCREW	8		
8	TAC025CS003	25L ROLL FRAME	1			34	WAC006AF000	M6 ZINC WASHER	8		
9	BLC008KD020	M8 x 20 mm HEX SOCKET CAP HEAD SCREW	4			35	WAC006BC001	M6 SPRING ZINC WASHER (SQUARE SECTION)	4		
10	WAC008AB000	M8 PLAIN WASHER	8			36	ANC015PC001	CABLE CLIP BLACK SCREW POLYACETAL CABLE CLIP, 15mm	4		
11	WAC008BB000	M8 ZINC PLATED SPRING WASHER	4			37	SEC013EH001	12.7mm ID BLACK PVC OPEN GROMMET	1		
12	TYPE200-24	200 SERIES PUMP UNIT	1			38	SEC013EH002	12.7mm OD BLACK PVC BLIND GROMMET	2		
13	EM415-1.5-4LAF	AMPE 90L BA 4 - 1.5KW 4 POLE MOTOR	1			*	SFC065FA002	BLANKING PLATE	1		
14	SEC001KT003	GASKET	1		✓						
15	BLC010LB035	M10 x 35 mm HEX HEAD BOLT, ZINC PLATED	4								
16	WAC010AB000	M10 ZINC PLATED FLAT WASHER	4								
17	WAC010BZ000	M10 SPRING WASHER	4								
18	NUC020LS002	GLAND 6-12MM	1								
19	EMA415UC001	MOTOR STARTER ASSEMBLY	1								
20	PMV4L	4 WAY, MANUALLY OPERATED, PUMP MOUNTED DIRECTIONAL CONTROL VALVE WITH LOAD HOLDING	1								
21	PGP063AK001	HEP & HAP PRESSURE GAUGE ASSEMBLY	1								
22	AAN000UP001	60 x 30 mm UNIVERSAL NAME PLATE	1		x						
23	FAS002HZ001	NO.4 x 3/16 HAMMER DRIVE SCREW	2								
24	TAC000PA001	160 mm LONG SUCTION PIPE	1								
25	FPC013AC010	1/2" BSPT SUCTION PIPE	1								
26	FFC045MZ001	FILTER	1								

REVISION	
1	5717
2	6146
3	
4	
5	
6	
7	
8	
9	
10	
11	
12	
13	
14	
15	
16	
17	
18	
19	
20	

NOTE:

- ALL PARTS ARE AVAILABLE TO BE ORDERED AS SPARE PARTS (UNLESS MARKED WITH **x**).
- ONLY PARTS MARKED WITH **✓** ARE AVAILABLE AS BOTH SPARE PARTS OR SERVICEABLE PARTS, FROM **HEP-SK1 PUMP SERVICE KIT**. (REFER TO HEP-SK1: PUMP SERVICE KIT EVD FOR FULL PARTS LIST)
- FOR SUB ASSEMBLIES (ITEM NO.S 12,19,20 & 21) PLEASE REFER TO THEIR INDIVIDUAL EVD'S.

IMPORTANT

WHEN ORDERING SPARES YOU MUST STATE THE FULL PART NUMBER AND THE PRODUCT SERIAL NUMBER - FROM THE LABEL TO PROTECT YOUR WARRANTY ALWAYS USE GENUINE HI-FORCE PARTS.



--	--	--	--	--



ITEM NO.	PART NUMBER	DESCRIPTION	QTY.	SPARE PARTS	SERVICE PARTS	REVISION
1	15494	PISTON BLOCK	1	X		1 5717
2	15495	PISTON	1	X		2 5866
3	15496	VALVE SEAT	1	X		3
4	15509	SUCTION/DELIVERY SPRING	2	X		4
5	15508	PUMP SPRING	1	X		5
6	BAC005SN000	Ø5 mm STEEL BALL GRADE 100	2	X		6
7	SEC014RF001	O-RING - I.D. 10.82 mm, C.S. 1.78 mm, NITRILE 90	2		✓	7
8	SEC010RA001	O-RING - I.D. 6.35 mm, C.S. 1.78 mm, NITRILE 70	1	X		8
9	STC008SA001	N1305-0031 SELF LOCKING RING	1	X		9
						10
						11
						12
						13
						14
						15
						16
						17
						18
						19
						20

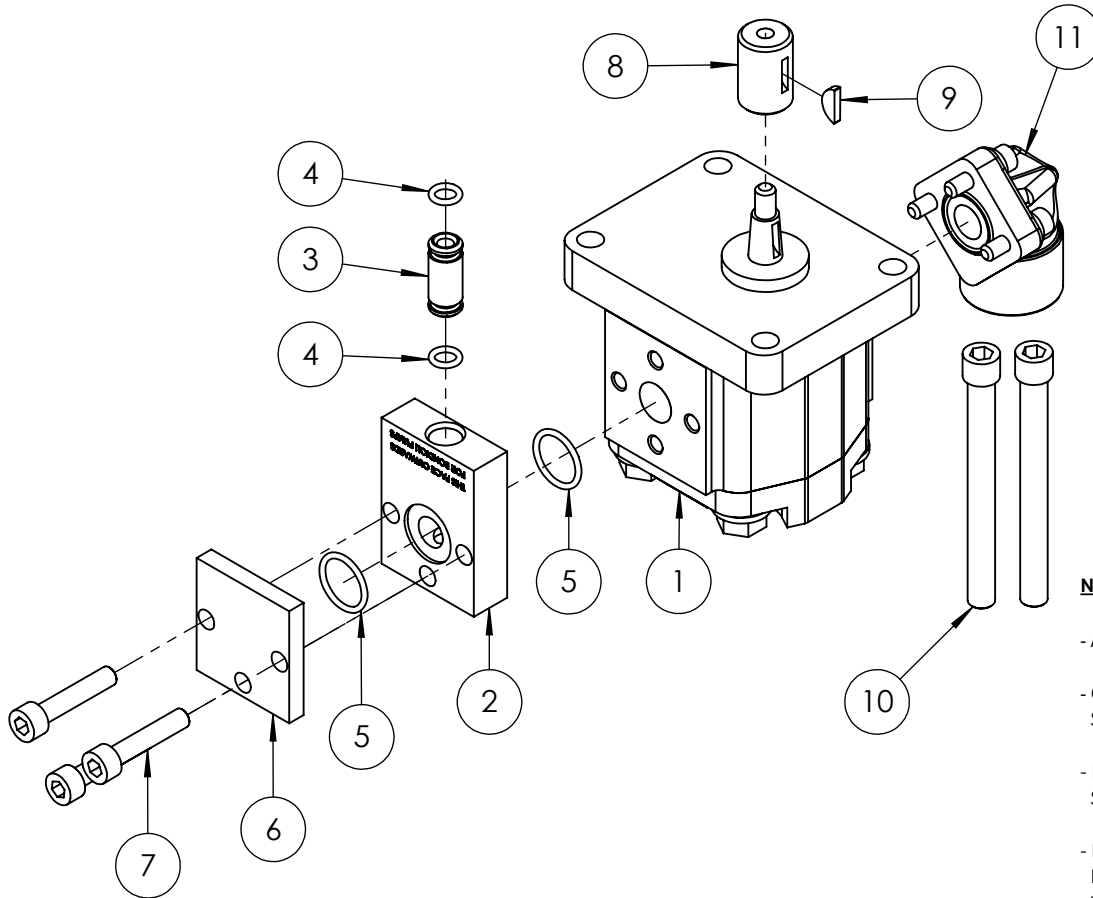
NOTE:

- ALL PARTS ARE AVAILABLE TO BE ORDERED AS SPARE PARTS (UNLESS MARKED WITH X).

- ONLY PARTS MARKED WITH ✓ ARE AVAILABLE AS BOTH SPARE PARTS OR SERVICEABLE PARTS, FROM **HEP-SK1 PUMP SERVICE KIT**. (REFER TO HEP-SK1: PUMP SERVICE KIT EVD FOR FULL PARTS LIST).

IMPORTANT

WHEN ORDERING SPARES YOU MUST STATE THE FULL PART NUMBER AND THE PRODUCT SERIAL NUMBER - FROM THE LABEL TO PROTECT YOUR WARRANTY ALWAYS USE GENUINE HI-FORCE PARTS.



ITEM NO.	PART NUMBER	DESCRIPTION	QTY.	SPARE PARTS	SERVICE PARTS	REVISION	
1	GP48	GEAR PUMP	1			1	5939
2	PMC000TM001	TRANSFER PLATE	1			2	5983
3	15510A	CONNECTOR TUBE	1			3	
	15510B	CONNECTOR TUBE	1			4	
4	SEC010RA001	O-RING - I.D. 6.35 mm, C.S. 1.78 mm, NITRILE 70	2		✓	5	
5	SEC019RF002	O-RING - I.D. 15.60, C.S. 1.78mm, NITRILE 90	2		✓	6	
6	PMC000XM001	SEALING PLATE	1			7	
7	BLC006JD030	M6 x 30 mm HEX SOCKET CAP HEAD SCREW	3			8	
8	15507	ADAPTOR	1			9	
9	PCC002WC001	KEY TO FIT 200/300 PUMPS	1			10	
10	FAS008SP080	M8 X 80 HEX SOCKET REDUCED CAP HEAD SCREW (FULLY THREADED)	2			11	
11	FPA013DC001	GEAR PUMP ELBOW (INC WITH GEAR PUMP)	1	x		12	

NOTE:

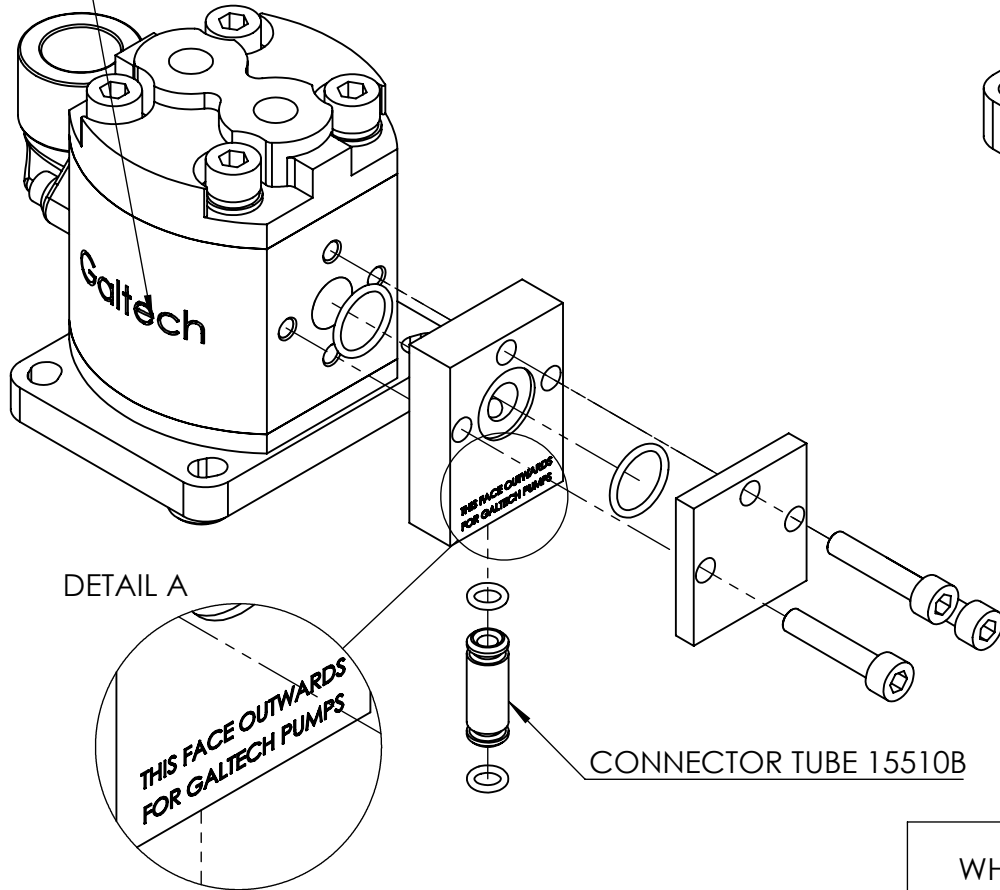
- ALL PARTS ARE AVAILABLE TO BE ORDERED AS SPARE PARTS (UNLESS MARKED WITH x)
- ONLY PARTS MARKED WITH ✓ ARE AVAILABLE AS BOTH SPARE PARTS OR SERVICEABLE PARTS, FROM HEP SK1 PUMP SERVICE KIT. (REFER TO HEP-SK1: PUMP SERVICE KIT EVD FOR FULL PARTS LIST)
- POSITION OF ITEM NO. 2 (PMC000TM001) IS TO BE DETERMINED BY THE BRAND OF THE GP48 GEAR PUMP SUPPLIED (REFER TO SHEET 2 FOR FURTHER DETAILS)
- ITEM NO. 3 USED IS DETERMINED BY THE BRAND OF THE GP48 GEAR PUMP SUPPLIED FOR HEP, HAP AND HPP PUMPS WITH SERIAL NUMBERS EARLIER THAN **BR9070**. FOR BONDIOLI GEAR PUMPS USE CONNECTOR TUBE 15510A AND FOR GALTECH GEAR PUMPS USE CONNECTOR TUBE 15510B (REFER TO SHEET 2 FOR FURTHER DETAILS)
- ITEM NO.10 (FAS008SP080) ARE TO REPLACE TWO SCREWS (BLC008KC080) ON THE TYPE200-24, PRIOR TO FITTING PMA048GZ001 (REFER TO SHEET 3 FOR FURTHER DETAILS)
- INDIVIDUAL ITEMS ARE NOT AVAILABLE AS SPARE PARTS FOR HEP, HAP AND HPP PUMPS WITH SERIAL NUMBERS EARLIER THAN **BR9070**. GP48 GEAR PUMP ASSEMBLY (PMA048GZ001) WILL NEED TO BE ORDERED. INDIVIDUAL ITEMS APART FROM ITEM NO.11 ARE AVAILABLE AS SPARE PARTS FOR HEP, HAP AND HPP PUMPS WITH SERIAL NUMBERS ABOVE **BR9070**

IMPORTANT

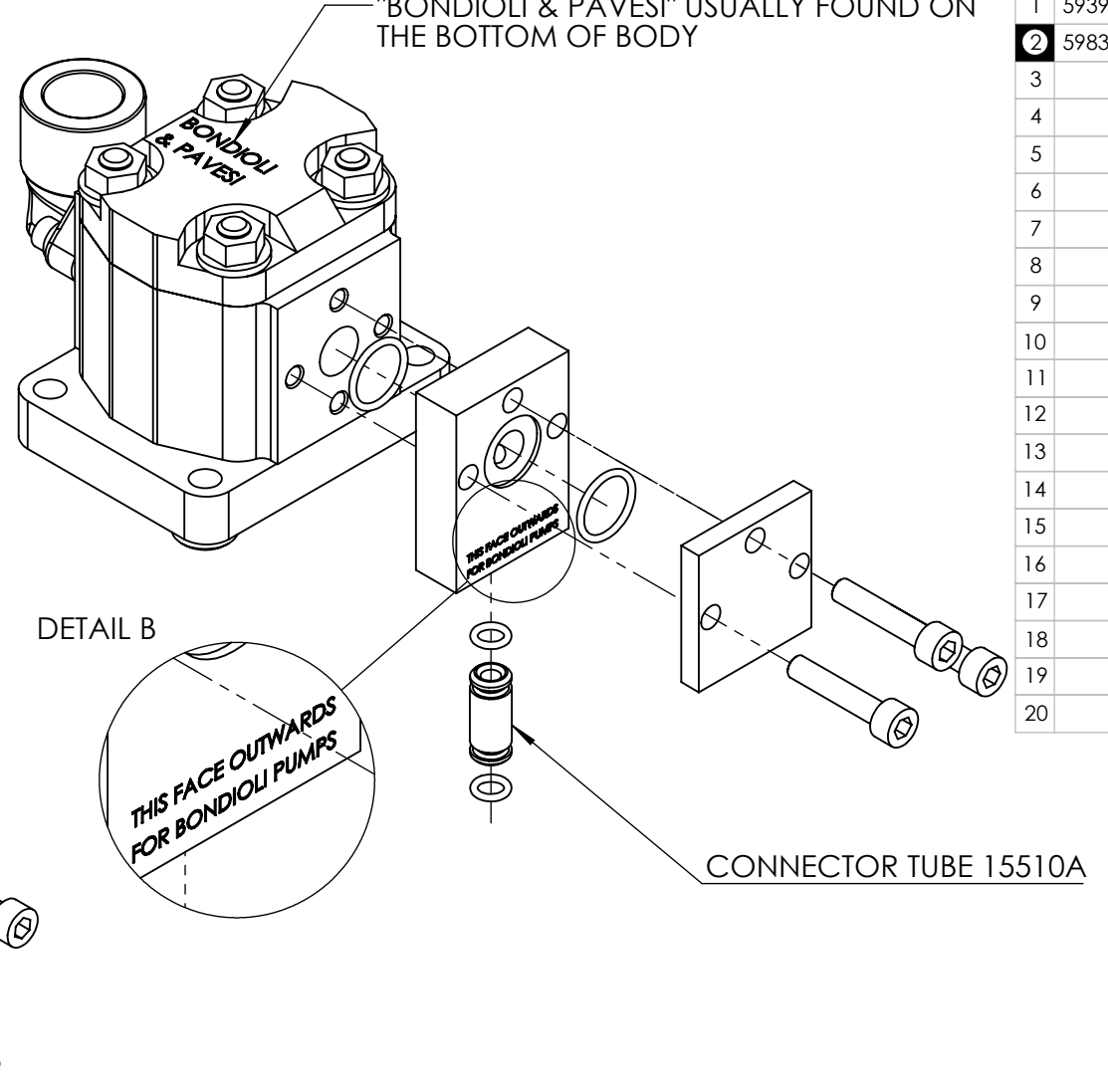
WHEN ORDERING SPARES YOU MUST STATE THE FULL PART NUMBER AND THE PRODUCT SERIAL NUMBER - FROM THE LABEL TO PROTECT YOUR WARRANTY ALWAYS USE GENUINE HI-FORCE PARTS.

ORIENTATION OF TRANSFER PLATE

FOR GALTECH GEAR PUMPS, LOOK FOR "GALTECH" USUALLY FOUND ON THE SIDE OF THE BODY



FOR BONDIOLI GEAR PUMPS, LOOK FOR "BONDIOLI & PAVESI" USUALLY FOUND ON THE BOTTOM OF BODY



REVISION

1	5939
2	5983
3	
4	
5	
6	
7	
8	
9	
10	
11	
12	
13	
14	
15	
16	
17	
18	
19	
20	

IMPORTANT

WHEN ORDERING SPARES YOU MUST STATE THE FULL PART NUMBER AND THE PRODUCT SERIAL NUMBER - FROM THE LABEL TO PROTECT YOUR WARRANTY ALWAYS USE GENUINE HI-FORCE PARTS.

REVISION

1 5939

2 5983

3

4

5

6

7

8

9

10

11

12

13

14

15

16

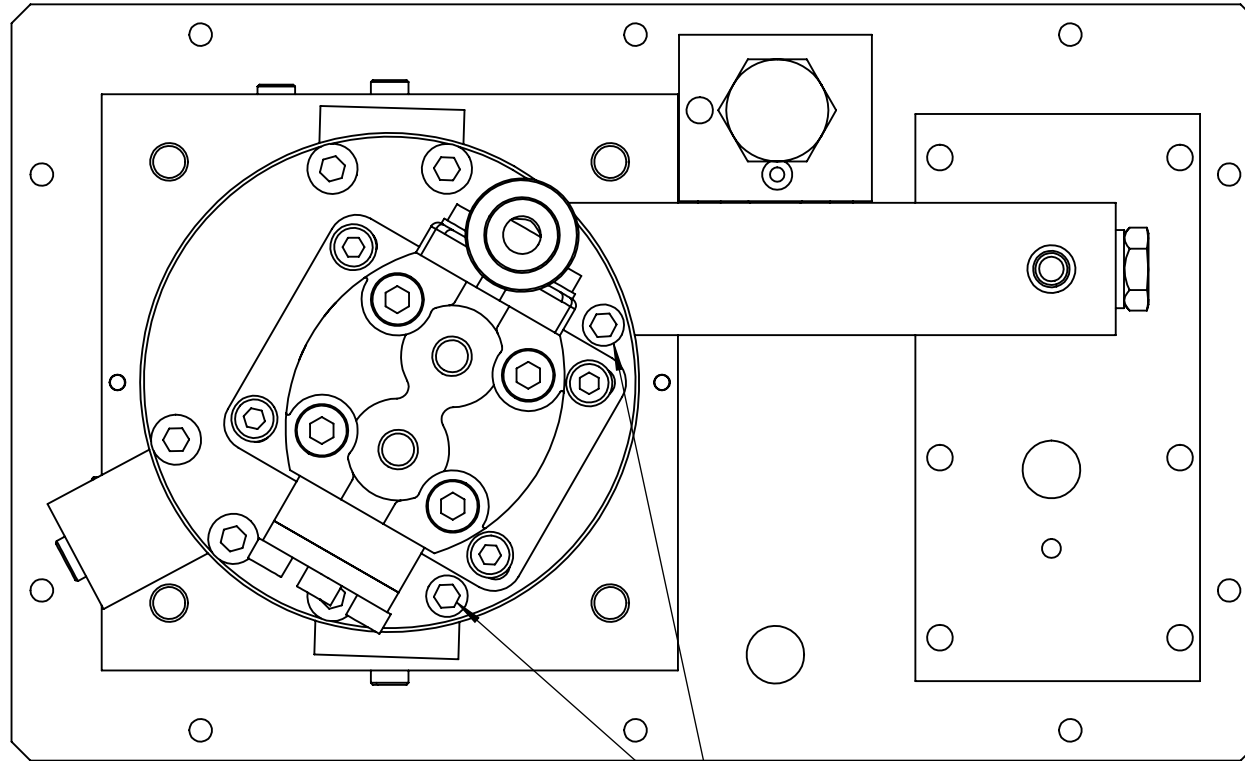
17

18

19

20

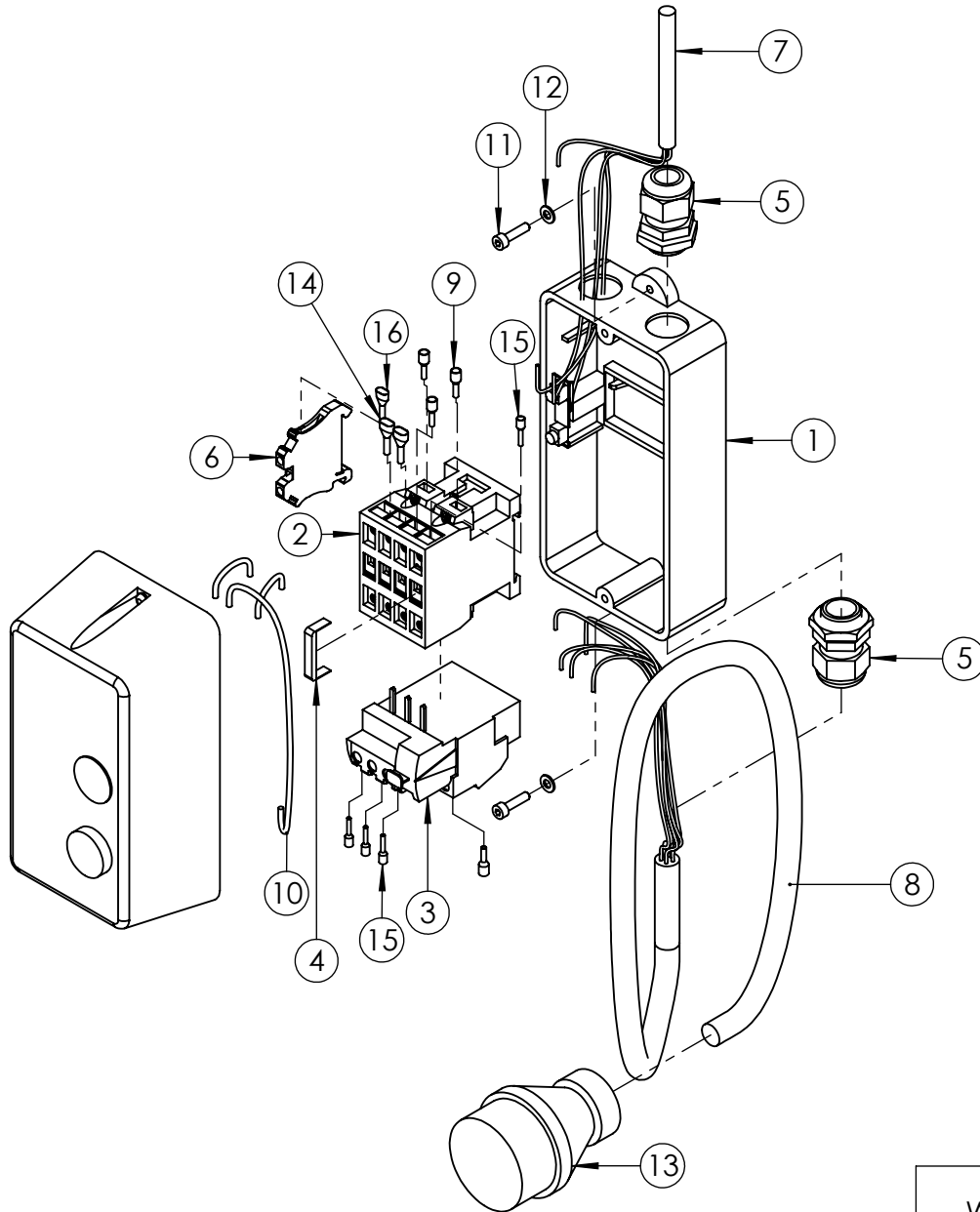
TYPE200-24: BOTTOM VIEW



REMOVE THE TWO CURRENT SCREWS FROM THESE TWO POSITIONS AND REPLACE WITH ITEM NO. 10 (FAS008SP080)

IMPORTANT

WHEN ORDERING SPARES YOU MUST STATE THE FULL PART NUMBER AND THE PRODUCT SERIAL NUMBER - FROM THE LABEL TO PROTECT YOUR WARRANTY ALWAYS USE GENUINE HI-FORCE PARTS.



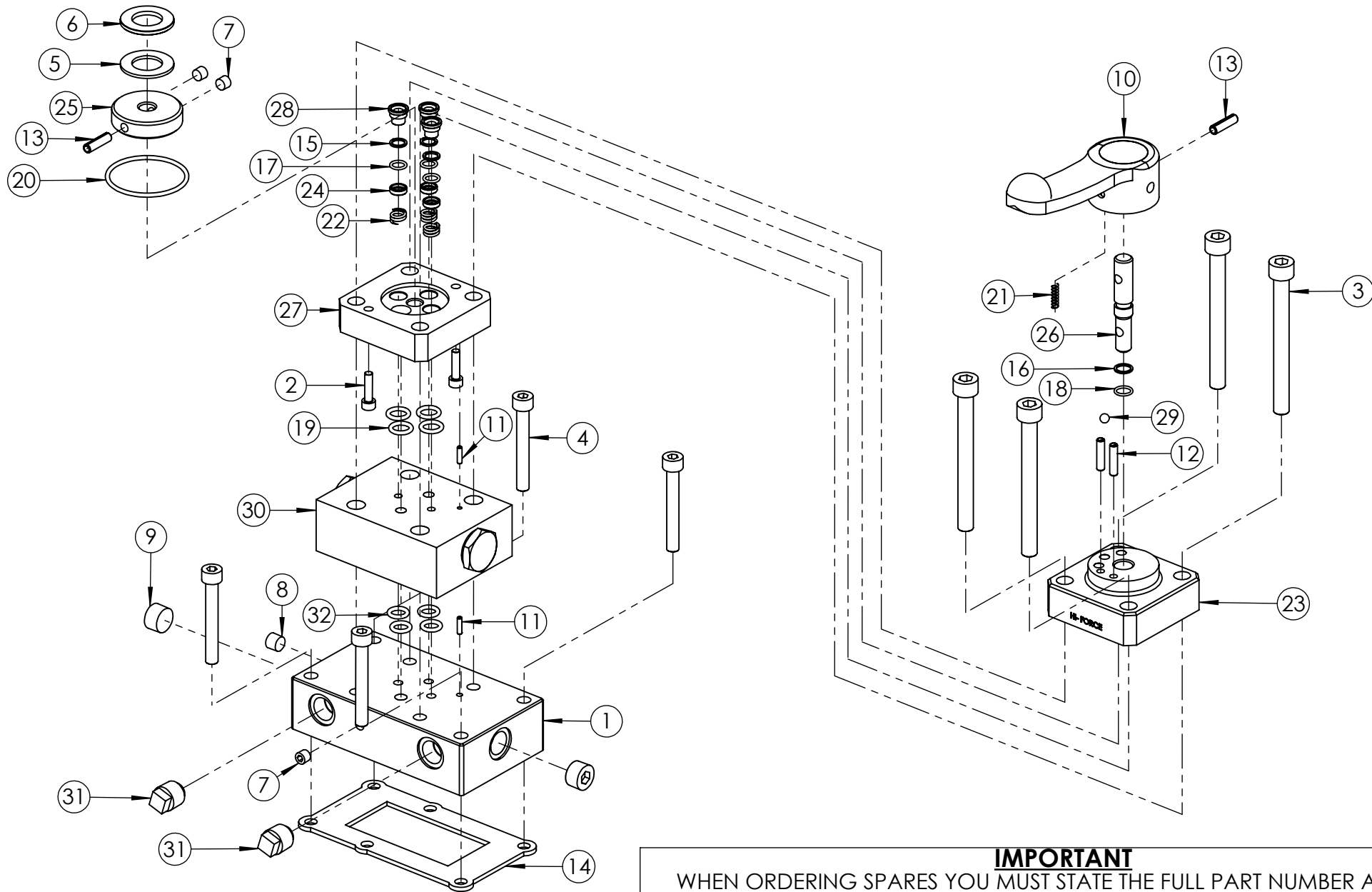
ITEM NO.	PART NUMBER	DESCRIPTION	QTY.	SPARE PARTS	REVISION
1	EMC000EF001	ENCLOSURE WITH PUSH BUTTONS P1MT	1		1 5717
2	EMC415KE001	CONTACTOR 415 V	1		2
3	EMC415RC001	OVERLOAD RELAY 2.7-4.0 AMPS	1		3
4	EMC110XF001	BRIDGING BAR	1		4
5	NUC020LS002	GLAND 6-12MM	2		5
6	EMC000NZ001	TERMINAL BLOCK	1		6
7	CEC150DC000	4 CORE CABLE 1.5 mm ² H07RN-F 4G1.5	1		7
8	CEC150EC001	5 CORE CABLE 1.5 mm ² H07RN-F 5G1.5	1		8
9	CEC250SX001	BOOTLACE FERRULE (INSULATED) 2.5mm GREY	4		9
10	CEC250AC000	SINGLE CORE TRI-RATED CABLE 2.5mm ² BLACK H05V2-K / H07V2-K	1		10
11	BLC004JD016	M4 x 16 mm HEX SOCKET CAP HEAD SCREW	2		11
12	WAC004YB000	M4 WASHER ST	2		12
13	MCC415EP002	415V, 32A ELECTRICAL PLUG	1		13
14	CEC250SX002	TWIN BOOTLACE FERRULE 2.5 mm ²	2		14
15	CEC150SX001	BOOTLACE FERRULE (INSULATED) 1.5mm	4		15
16	CEC150SX002	TWIN BOOTLACE FERRULE 1.5 mm ²	1		16

NOTE:

- ALL PARTS ARE AVAILABLE TO BE ORDERED AS SPARE PARTS (UNLESS MARKED WITH **X**).

IMPORTANT

WHEN ORDERING SPARES YOU MUST STATE THE FULL PART NUMBER AND THE PRODUCT SERIAL NUMBER - FROM THE LABEL TO PROTECT YOUR WARRANTY ALWAYS USE GENUINE HI-FORCE PARTS.



REVISION

1 5717

2

3

4

5

6

7

8

9

10

11

12

13

14

15

16

17

18

19

20

IMPORTANT

WHEN ORDERING SPARES YOU MUST STATE THE FULL PART NUMBER AND THE
PRODUCT SERIAL NUMBER - FROM THE LABEL
TO PROTECT YOUR WARRANTY ALWAYS USE GENUINE HI-FORCE PARTS.

ITEM NO.	PART NUMBER	DESCRIPTION	QTY.	SPARE PARTS	SERVICE PARTS
1	VFC010BF007	VALVE MOUNTING BLOCK	1		
2	BLC005HU020	M5 x 20 mm HEX SOCKET CAP HEAD SCREW	2		
3	BLC010LC100	M10 x 100 mm HEX SOCKET CAP HEAD SCREW	4		
4	BLC008KC060	M8 x 60 mm HEX SOCKET CAP HEAD SCREW	4		
5	BSC035NA001	NEEDLE BEARING	1		
6	BSC035NA002	HOUSING WASHER	1		
7	FPC002PN001	1/16" x 7/8" NPT SOCKET PLUG	3		
8	FPC003PN001	1/8" x 3/4" NPT TAPER DRY SEAL PRESS PLUG	1		
9	FPC010PN002	3/8" X 7/8" NPT SOCKET PLUG	2		
10	HLC012LP002	HANDLE	1		
11	PCC003RB006	Ø3 x 12 mm SELLOCK PIN	2		
12	PCC005RD002	Ø5 x 22 mm SPIROL PIN	2		
13	PCC006RD001	Ø6 X 22 mm SPIROL PIN	2		
14	SEC003KT001	VALVE GASKET	1		✓
15	SEC011BA001	BACK UP RING	3		✓
16	SEC012BA002	BACK UP RING	1		✓
17	SEC011RA001	O-RING - I.D. 8.10 mm, C.S. 1.6 mm, NITRILE 90	3		✓
18	SEC012RA003	O-RING - I.D. 9 mm, C.S. 1.50 mm, NITRILE 70	1		✓
19	SEC016RA002	O-RING - I.D. 10.77 mm, C.S. 2.62 mm, NITRILE 70	4		✓
20	SEC049RF001	O-RING - I.D. 48.90 mm, C.S. 2.62 mm, NITRILE 90	1		✓
21	SPC005KA001	SPRING	1		
22	SPC010CA001	SPRING	3		
23	VFC000BD003	VALVE BODY	1		
24	VFC000SC001	SHEAR SEAL COLLAR	3		
25	VFC000SQ002	VALVE ROTOR	1		

ITEM NO.	PART NUMBER	DESCRIPTION	QTY.	SPARE PARTS	SERVICE PARTS	REVISION
26	VFC000SR002	SPINDLE	1			1 5717
27	VFC000ST001	SHEAR SEAL PLATE	1			2
28	VFC000SU001	SHEAR SEAL	3			3
29	BAC006SN000	Ø6 mm STEEL BALL	1			4
30	V-8245	DUAL CHECK VALVE	1			5
31	BPC010SP004	3/8 NPT PLASTIC BLANKING PLUG (RED)	2			6
32	SEC014RA001	O-RING - I.D. 9.19mm, C.S. 2.62mm, NITRILE 90	4		✓	7
						8
						9
						10
						11
						12
						13
						14
						15
						16
						17
						18
						19
						20

NOTE:

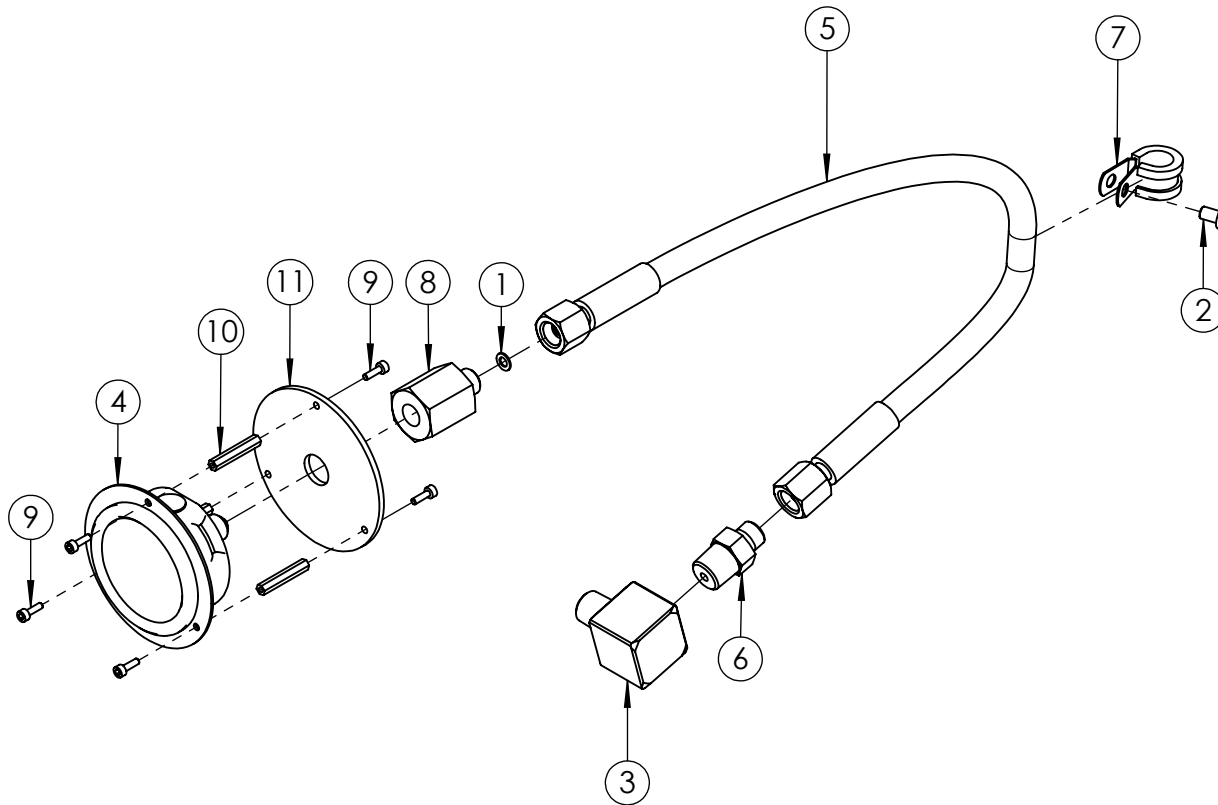
- ALL PARTS ARE AVAILABLE TO BE ORDERED AS SPARE PARTS (UNLESS MARKED WITH **X**).

- ONLY PARTS MARKED WITH **✓** ARE AVAILABLE AS BOTH SPARE PARTS OR SERVICEABLE PARTS, FROM **DCV-M1 : SERVICE KIT (3 & WAY MANUAL VALVES)**. (REFER TO **DCV-M1** EVD FOR FULL PARTS LIST)

- IF ITEM NO. 30 IS ORDERED AS A SPARE PART, THIS ALREADY COMES WITH ITEM NO. 32. THEREFORE THESE ARE NOT REQUIRED TO BE ORDERED SEPERATELY.

IMPORTANT

WHEN ORDERING SPARES YOU MUST STATE THE FULL PART NUMBER AND THE PRODUCT SERIAL NUMBER - FROM THE LABEL TO PROTECT YOUR WARRANTY ALWAYS USE GENUINE HI-FORCE PARTS.



ITEM NO.	PART NUMBER	DESCRIPTION	QTY.	SPARE PARTS	REVISION
1	WAC005EC001	M5 X 9 X 1.0 COPPER SEALING WASHER	1		1 5717
2	BLC006JH010	M6 X 10 mm, HEX SOCKET, BUTTON HEAD SCREW	1		2
3	HF16	ELBOW, 3/8" NPT FEMALE TO 3/8" NPT MALE	1		3
4	PGB063PF001	FLANGE MOUNTED 700 Bar PRESSURE GAUGE	1		4
5	HOC006GB001	700 Bar GAUGE HOSE WITH 1/4" BSP CONE FEMALE FITTINGS	1		5
6	FPC010BN008	M/M ADAPTOR 3/8 NPT x 1/4 BSP INT 60° CONE 1000 Bar (STAINLESS STEEL)	1		6
7	ANC013PC001	13mm BLACK STAINLESS STEEL P CLIP	1		7
8	FPC006BB002	700 Bar SS 1/4" BSPP x BSPP FIXED FEMALE GAUGE ADAPTOR	1		8
9	BLC003ZD010	M3 X 10 mm HEX SOCKET CAP HEAD SCREW	6		9
10	NUC003UK001	M3 FEMALE STEEL HEX STANDOFF 30mm LONG	3		10
11	SFC085HA001	STRAIN RELIEF PLATE	1		11

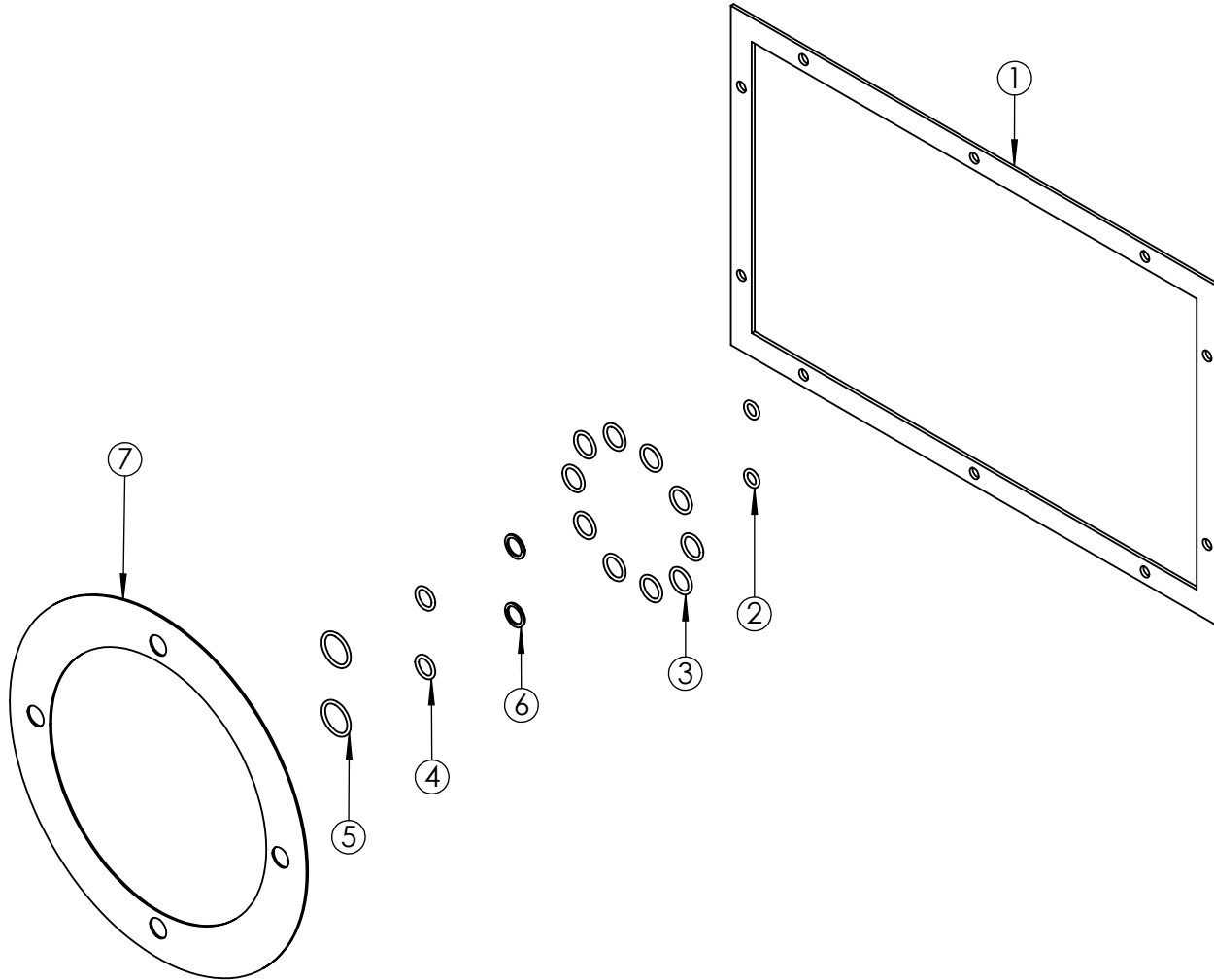
NOTE:

- ALL PARTS ARE AVAILABLE TO BE ORDERED AS SPARE PARTS (UNLESS MARKED WITH X).

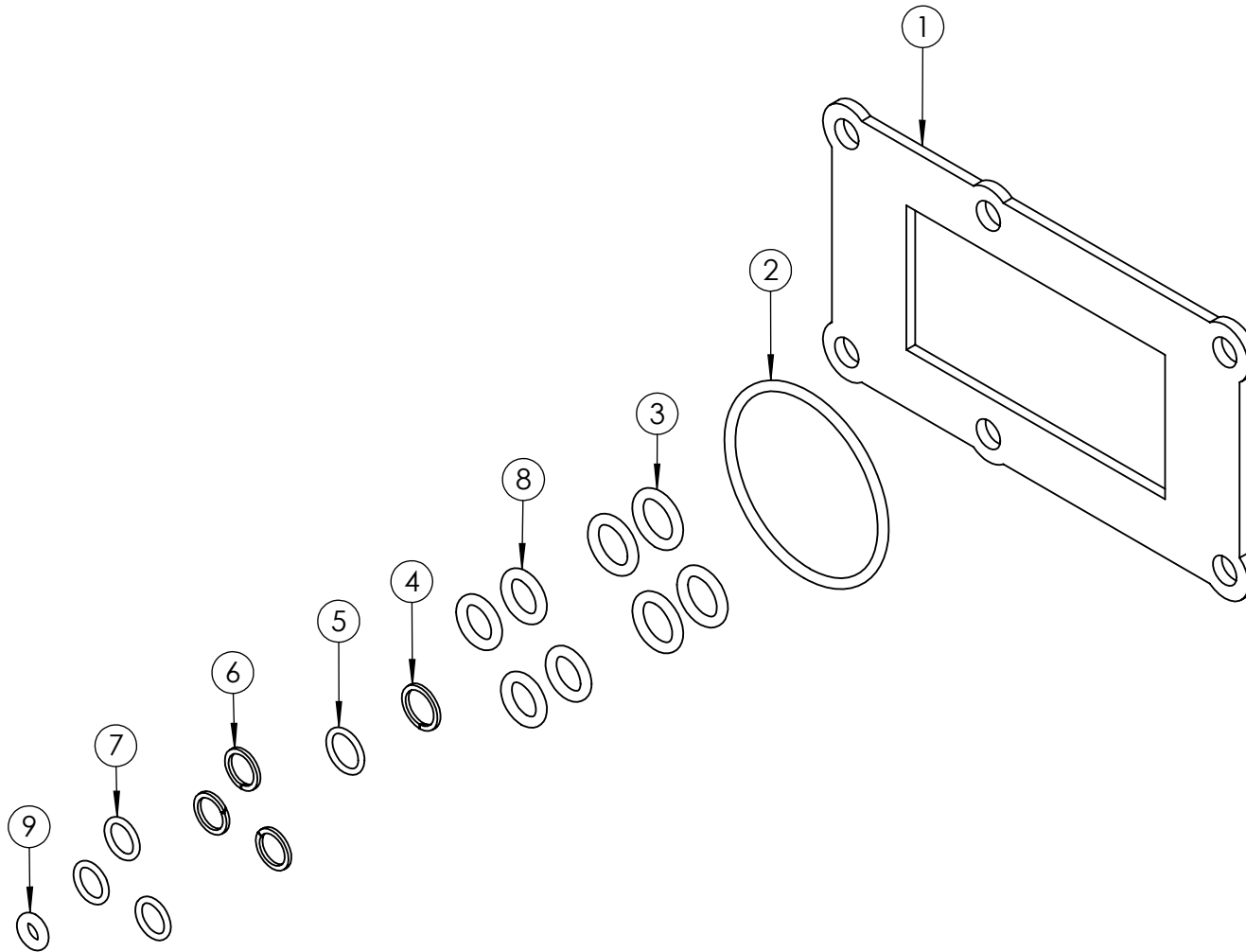
IMPORTANT

WHEN ORDERING SPARES YOU MUST STATE THE FULL PART NUMBER AND THE PRODUCT SERIAL NUMBER - FROM THE LABEL TO PROTECT YOUR WARRANTY ALWAYS USE GENUINE HI-FORCE PARTS.

ITEM NO.	PART NUMBER	DESCRIPTION	QTY.	REVISION
1	15482	TANK GASKET	1	1 5717
2	SEC010RA001	O-RING - I.D. 6.35 mm, C.S. 1.78 mm, NITRILE 70	2	2 5939
3	SEC014RF001	O-RING - I.D. 10.82 mm, C.S. 1.78 mm, NITRILE 90	10	3
4	SEC013RA001	O-RING - I.D. 9.25mm, C.S. 1.78mm, NITRILE 90	2	4
5	SEC019RF002	O-RING - I.D. 15.60, C.S. 1.78mm, NITRILE 90	2	5
6	SEC013BA001	BACK-UP RING - PTFE, SOLID SPLIT	2	6
7	SEC001KT003	GASKET	1	7
				8
				9
				10
				11
				12
				13
				14
				15
				16
				17
				18
				19
				20



IMPORTANT
WHEN ORDERING SPARES YOU MUST STATE THE FULL PART NUMBER AND THE PRODUCT SERIAL NUMBER - FROM THE LABEL
TO PROTECT YOUR WARRANTY ALWAYS USE GENUINE HI-FORCE PARTS.



ITEM NO.	PART NUMBER	DESCRIPTION	QTY.	REVISION
1	SEC003KT001	VALVE GASKET	1	1 5717
2	SEC049RF001	O-RING - I.D. 48.90 mm, C.S. 2.62 mm, NITRILE 90	1	2
3	SEC016RA002	O-RING - I.D. 10.77 mm, C.S. 2.62 mm, NITRILE 70	4	3
4	SEC012BA002	BACK UP RING	1	4
5	SEC012RA003	O-RING - I.D. 9 mm, C.S. 1.50 mm, NITRILE 70	1	5
6	SEC011BA001	BACK UP RING	3	6
7	SEC011RA001	O-RING - I.D. 8.10 mm, C.S. 1.6 mm, NITRILE 90	3	7
8	SEC014RA001	O-RING - I.D. 9.19mm, C.S. 2.62mm, NITRILE 90	4	8
9	SEC010RF002	O-RING - I.D. 4.42 mm, C.S. 2.62 mm, NITRILE 70	1	9
				10
				11
				12
				13
				14
				15
				16
				17
				18
				19
				20

IMPORTANT

WHEN ORDERING SPARES YOU MUST STATE THE FULL PART NUMBER AND THE PRODUCT SERIAL NUMBER - FROM THE LABEL TO PROTECT YOUR WARRANTY ALWAYS USE GENUINE HI-FORCE PARTS.