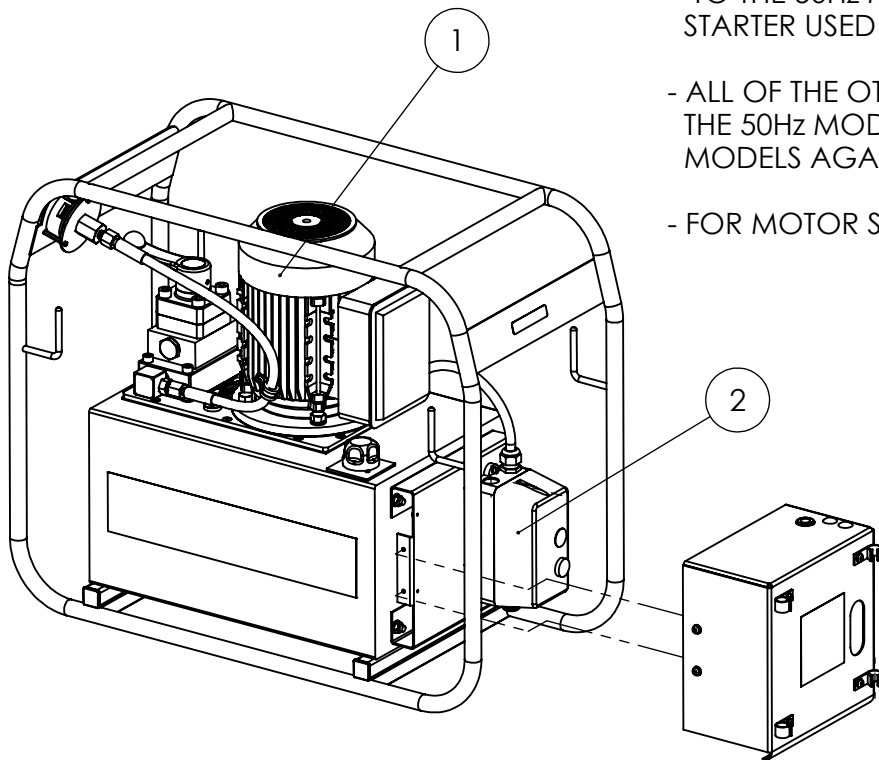


MODEL RANGES	ITEM NO.	PART NUMBER	DESCRIPTION	QTY	SPARE PARTS
HEP310121H, HEP310221H, HEP310321H, HEP310421H, HEP310321HS, HEP310421HS	1	EM120-1.8-4HLAF	ELECTRIC MOTOR, 120VAC, 1.8kW, 60Hz	1	
	2	EMA110UF003	60Hz MOTOR STARTER ASSEMBLY	1	

NOTE:

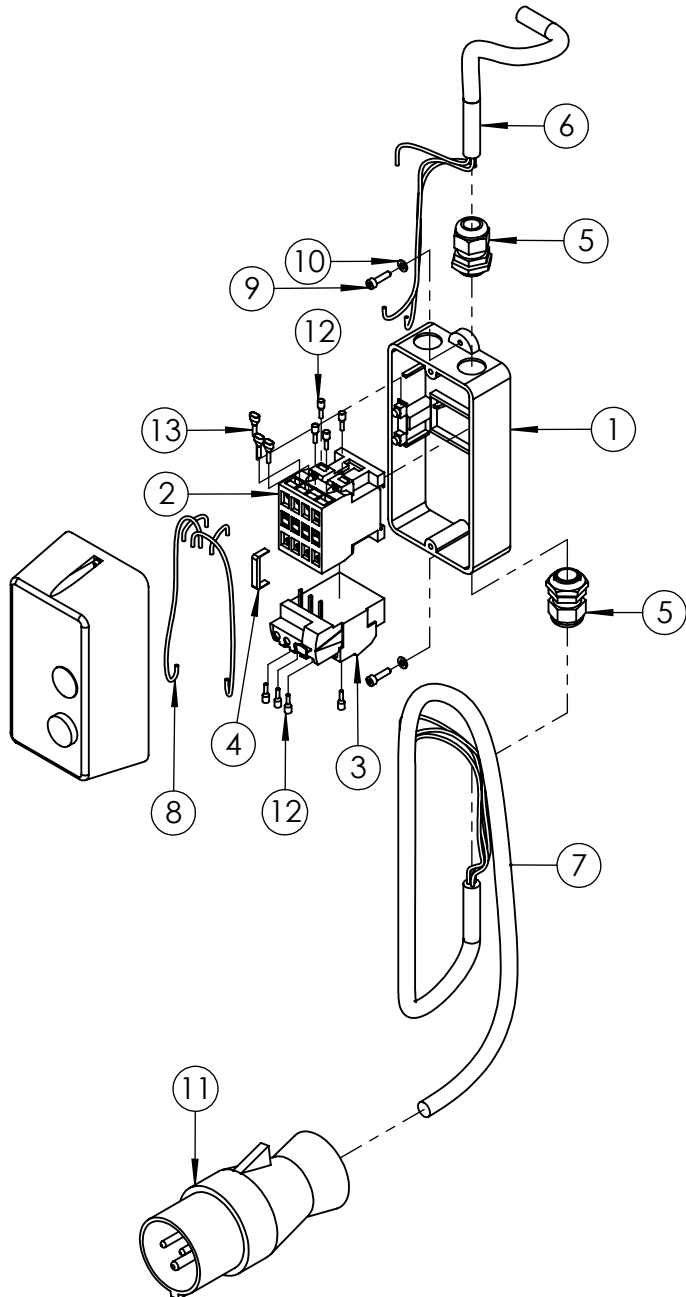
- ALL PARTS ARE AVAILABLE TO BE ORDERED AS A SPARE PARTS (UNLESS MARKED WITH **x**).
- 60Hz MODELS (SUFFIX H OR HS) USE A DIFFERENT ELECTRICAL MOTOR AND MOTOR STARTER TO THE 50Hz MODELS (REFER TO TABLE ABOVE FOR ELECTRICAL MOTOR AND MOTOR STARTER USED ON THE 120V 60Hz MODEL RANGES).
- ALL OF THE OTHER ITEMS ARE IDENTICAL TO THE 50Hz MODELS, THEREFORE PLEASE REFER TO THE 50Hz MODEL EVD'S (REFER TO MODEL RANGE TABLE BELOW WHICH IDENTIFIES THE 50Hz MODELS AGAINST THE 60Hz MODELS).
- FOR MOTOR STARTER SUB ASSEMBLY (ITEM NO. 2) PLEASE REFER TO THE INDIVIDUAL EVD.



MODEL RANGES	
60Hz	50Hz
HEP310121H	HEP310121
HEP310221H	HEP310221
HEP310321H	HEP310321
HEP310421H	HEP310421
HEP310321HS	HEP310321S
HEP310421HS	HEP310421S

IMPORTANT

WHEN ORDERING SPARES YOU MUST STATE THE FULL PART NUMBER AND THE PRODUCT SERIAL NUMBER - FROM THE LABEL TO PROTECT YOUR WARRANTY ALWAYS USE GENUINE HI-FORCE PARTS.



ITEM NO.	PART NUMBER	DESCRIPTION	QTY.	SPARE PARTS	REVISION
1	EMC000EF001	ENCLOSURE WITH PUSH BUTTONS P1MT	1		1 6085
2	EMC110KF001	CONTACTOR 110 VOLT	1		2
3	EMC110RF001	OVERLOAD RELAY 17-23 AMPS	1		3
4	EMC110XF001	BRIDGING BAR	1		4
5	NUC020LS002	GLAND 6-12MM	2		5
6	CEC250CC000	3 CORE CABLE 2.5mm ² H07RN-F3G 2.5	1		6
7	CEC250CC000	3 CORE CABLE 2.5mm ² H07RN-F3G 2.5	1		7
8	CEC250AC000	SINGLE CORE TR-RATED CABLE 2.5 mm ²	1		8
9	BLC004JD016	M4 X 16 HEX SOCKET, CAP HEAD SCREW	2		9
10	WAC004YB000	M4 WASHER ST	2		10
11	MCC110EP002	110V PLUG 32A	1		11
12	CEC250SX001	BOOTLACE FERRULE (INSULATED) 2.5mm GREY	8		12
13	CEC250SX002	TWIN BOOTLACE FERRULE 2.5 mm ²	3		13

NOTE:

- ALL PARTS ARE AVAILABLE TO BE ORDERED AS SPARE PARTS (UNLESS MARKED WITH **x**).

IMPORTANT

WHEN ORDERING SPARES YOU MUST STATE THE FULL PART NUMBER AND THE PRODUCT SERIAL NUMBER - FROM THE LABEL TO PROTECT YOUR WARRANTY ALWAYS USE GENUINE HI-FORCE PARTS.