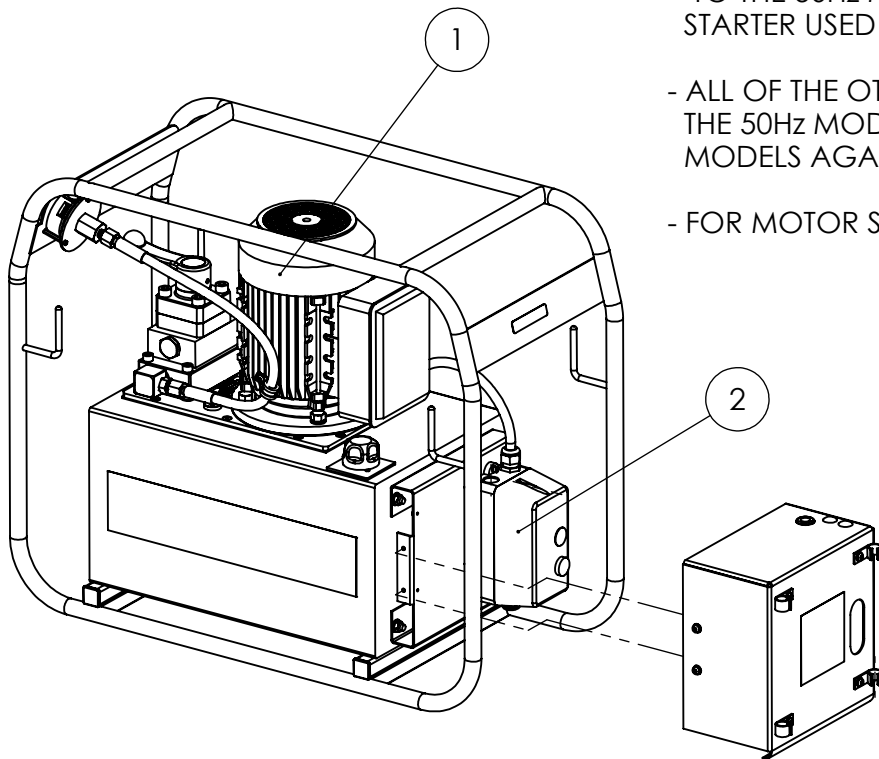


MODEL RANGES	ITEM NO.	PART NUMBER	DESCRIPTION	QTY	SPARE PARTS
HEP310122H, HEP310222H, HEP310322H, HEP310422H, HEP310322HS, HEP310422HS	1	EM220-1.8-4HLAF	ELECTRIC MOTOR, 220VAC, 1.8kW, 60Hz	1	
	2	EMA230UE002	60Hz MOTOR STARTER ASSEMBLY	1	

NOTE:

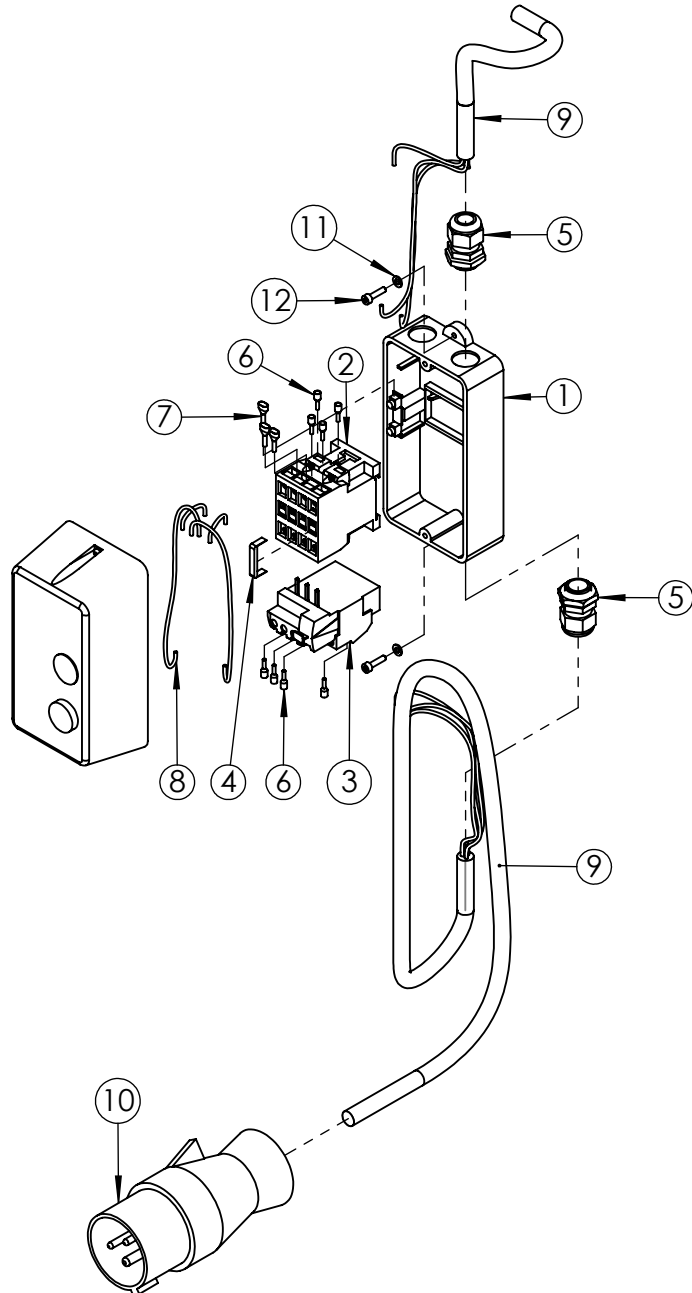
- ALL PARTS ARE AVAILABLE TO BE ORDERED AS A SPARE PARTS (UNLESS MARKED WITH **x**).
- 60Hz MODELS (SUFFIX H OR HS) USE A DIFFERENT ELECTRICAL MOTOR AND MOTOR STARTER TO THE 50Hz MODELS (REFER TO TABLE ABOVE FOR ELECTRICAL MOTOR AND MOTOR STARTER USED ON THE 220V 60Hz MODEL RANGES).
- ALL OF THE OTHER ITEMS ARE IDENTICAL TO THE 50Hz MODELS, THEREFORE PLEASE REFER TO THE 50Hz MODEL EVD'S (REFER TO MODEL RANGE TABLE BELOW WHICH IDENTIFIES THE 50Hz MODELS AGAINST THE 60Hz MODELS).
- FOR MOTOR STARTER SUB ASSEMBLY (ITEM NO. 2) PLEASE REFER TO THE INDIVIDUAL EVD.



MODEL RANGES	
60Hz	50Hz
HEP310122H	HEP310122
HEP310222H	HEP310222
HEP310322H	HEP310322
HEP310422H	HEP310422
HEP310322HS	HEP310322S
HEP310422HS	HEP310422S

IMPORTANT

WHEN ORDERING SPARES YOU MUST STATE THE FULL PART NUMBER AND THE PRODUCT SERIAL NUMBER - FROM THE LABEL TO PROTECT YOUR WARRANTY ALWAYS USE GENUINE HI-FORCE PARTS.



ITEM NO.	PART NUMBER	DESCRIPTION	QTY.	SPARE PARTS	SERVICE PARTS	REVISION
1	EMC000EF001	ENCLOSURE WITH PUSH BUTTONS P1MT	1			1 6085
2	EMC230KE001	CONTACTOR 230 VOLT	1			2
3	EMC230RE002	OVERLOAD RELAY 10-14amps	1			3
4	EMC110XF001	BRIDGING BAR	1			4
5	NUC020LS002	GLAND 6-12MM	2			5
6	CEC250SX001	BOOTLACE FERRULE (INSULATED) 2.5mm GREY	8			6
7	CEC250SX002	TWIN BOOTLACE FERRULE 2.5 mm ²	3			7
8	CEC250AC000	SINGLE CORE TR-RATED CABLE 2.5 mm ²	1			8
9	CEC250CC000	3 CORE CABLE 2.5mm ² H07RN-F3G 2.5	2			9
10	MCC240EP002	240V 16 Amp PLUG	1			10
11	WAC004YB000	M4 WASHER ST	2			11
12	BLC004JD016	M4 X 16 HEX SOCKET, CAP HEAD SCREW	2			12
						13
						14
						15
						16
						17
						18
						19
						20

NOTE:

- ALL PARTS ARE AVAILABLE TO BE ORDERED AS SPARE PARTS (UNLESS MARKED WITH X).

IMPORTANT

WHEN ORDERING SPARES YOU MUST STATE THE FULL PART NUMBER AND THE PRODUCT SERIAL NUMBER - FROM THE LABEL TO PROTECT YOUR WARRANTY ALWAYS USE GENUINE HI-FORCE PARTS.