

REVISION

1 5817

**2** 6154

3

4

5

6

7

8

9

10

11

12

13

14

15

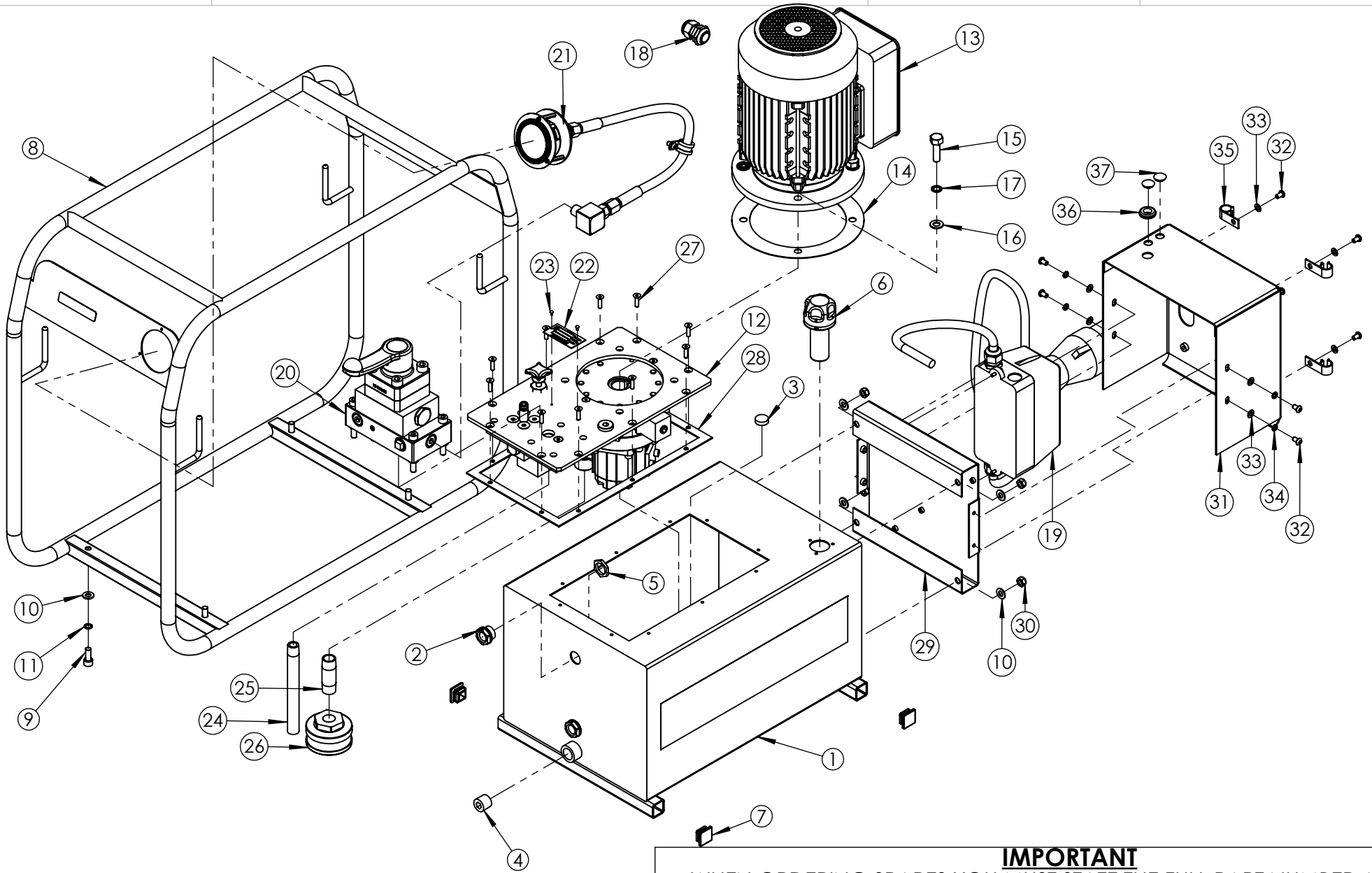
16

17

18

19

20



**IMPORTANT**  
WHEN ORDERING SPARES YOU MUST STATE THE FULL PART NUMBER AND THE  
PRODUCT SERIAL NUMBER - FROM THE LABEL  
TO PROTECT YOUR WARRANTY ALWAYS USE GENUINE HI-FORCE PARTS.

230V 50HZ, TWO STAGE, ELECTRIC DRIVEN, HIGH FLOW PUMP

SERIAL NUMBERS

FROM BQ6615

PRODUCT NO.

HEP310322

SHT 2 OF  
2 SHTS

ITEM NO.	PART NUMBER	DESCRIPTION	QTY.	SPARE PARTS	SERVICE PARTS	ITEM NO.	PART NUMBER	DESCRIPTION	QTY.	SPARE PARTS	SERVICE PARTS	REVISION
1	TAC025AS006	25L TANK	1			22	AAN000UP001	60 x 30 mm UNIVERSAL NAME PLATE	1	X		1 5817
2	BLC021YT010	SIGHT GLASS HGF.13 BLACK OIL LEVEL INDICATOR	2			23	FAS002HZ001	NO.4 x 3/16 HAMMER DRIVE SCREW	2			2 6154
3	DCSF00328	DOUBLE SIDED MAGNET	1			24	TAC000PA001	160 mm LONG SUCTION PIPE	1			3
4	FPC013PC001	1/2" BSP PLUG - HEX SOCKET	1			25	FPC013AC001	BARREL NIPPLE	1			4
5	NUC021-B000	1/2" BSP LOCK NUT	2			26	FFC045MZ001	FILTER	1			5
6	FFC028PZ001	FILLER/BREATHER	1			27	BLC005HF020	M5 x 20 mm HEX SOCKET COUNTERSUNK SCREW	10			6
7	BPC025KP001	1" SQ RIBBED INSERT BLACK	4			28	15482	TANK GASKET	1		✓	7
8	TAC025CS003	25L ROLL FRAME	1			29	TAC000FS003	MOUNTING PLATE	1			8
9	BLC008KD020	M8 x 20 mm HEX SOCKET CAP HEAD SCREW	4			30	NUC008KC000	M8 NYLOC NUT	4			9
10	WAC008AB000	M8 PLAIN WASHER	8			31	TAC000FS004	HOUSING	1			10
11	WAC008BB000	M8 ZINC PLATED SPRING WASHER	4			32	BLC006JH010	M6 X 10 mm BUTTON HEAD HEX SOCKET SCREW	8			11
12	<b>TYPE300-24</b>	300 SERIES PUMP UNIT	1			33	WAC006AF000	M6 ZINC WASHER	8			12
13	EM230-1.5-4LAF	ELECTRIC MOTOR 1.5KW 230VAC	1			34	WAC006BC001	M6 SPRING ZINC WASHER (SQUARE SECTION)	4			13
14	SEC001KT003	GASKET	1		✓	35	ANC015PC001	CABLE CLIP BLACK SCREW POLYACETAL CABLE CLIP, 15mm	4			14
15	BLC010LB035	M10 x 35 mm HEX HEAD BOLT, ZINC PLATED	4			36	SEC013EH001	12.7mm ID BLACK PVC OPEN GROMMET	1			15
16	WAC010AB000	M10 ZINC PLATED FLAT WASHER	4			37	SEC013EH002	12.7mm OD BLACK PVC BLIND GROMMET	2			16
17	WAC010BZ000	M10 SPRING WASHER	4			*	SFC065FA002	BLANKING PLATE	1			17
18	NUC020LS002	GLAND 6-12MM	1									18
19	<b>EMA230UE001</b>	MOTOR STARTER ASSEMBLY 230V	1									19
20	<b>PMV3L</b>	3 WAY, MANUALLY OPERATED, PUMP MOUNTED DIRECTIONAL CONTROL VALVE (WITH LOAD HOLDING)	1									20
21	<b>PGP063AK001</b>	HEP & HAP PRESSURE GAUGE ASSEMBLY	1									

**NOTE:**

- ALL PARTS ARE AVAILABLE TO BE ORDERED AS SPARE PARTS (UNLESS MARKED WITH X).
- ONLY PARTS MARKED WITH ✓ ARE AVAILABLE AS BOTH SPARE PARTS OR SERVICEABLE PARTS, FROM **HEP-SK1 PUMP SERVICE KIT**. (REFER TO HEP-SK1: PUMP SERVICE KIT EVD FOR FULL PARTS LIST)
- FOR SUB ASSEMBLIES (ITEM NO.S 12, 19, 20 & 21) REFER TO THEIR INDIVIDUAL EVD'S.

**IMPORTANT**

WHEN ORDERING SPARES YOU MUST STATE THE FULL PART NUMBER AND THE PRODUCT SERIAL NUMBER - FROM THE LABEL TO PROTECT YOUR WARRANTY ALWAYS USE GENUINE HI-FORCE PARTS.

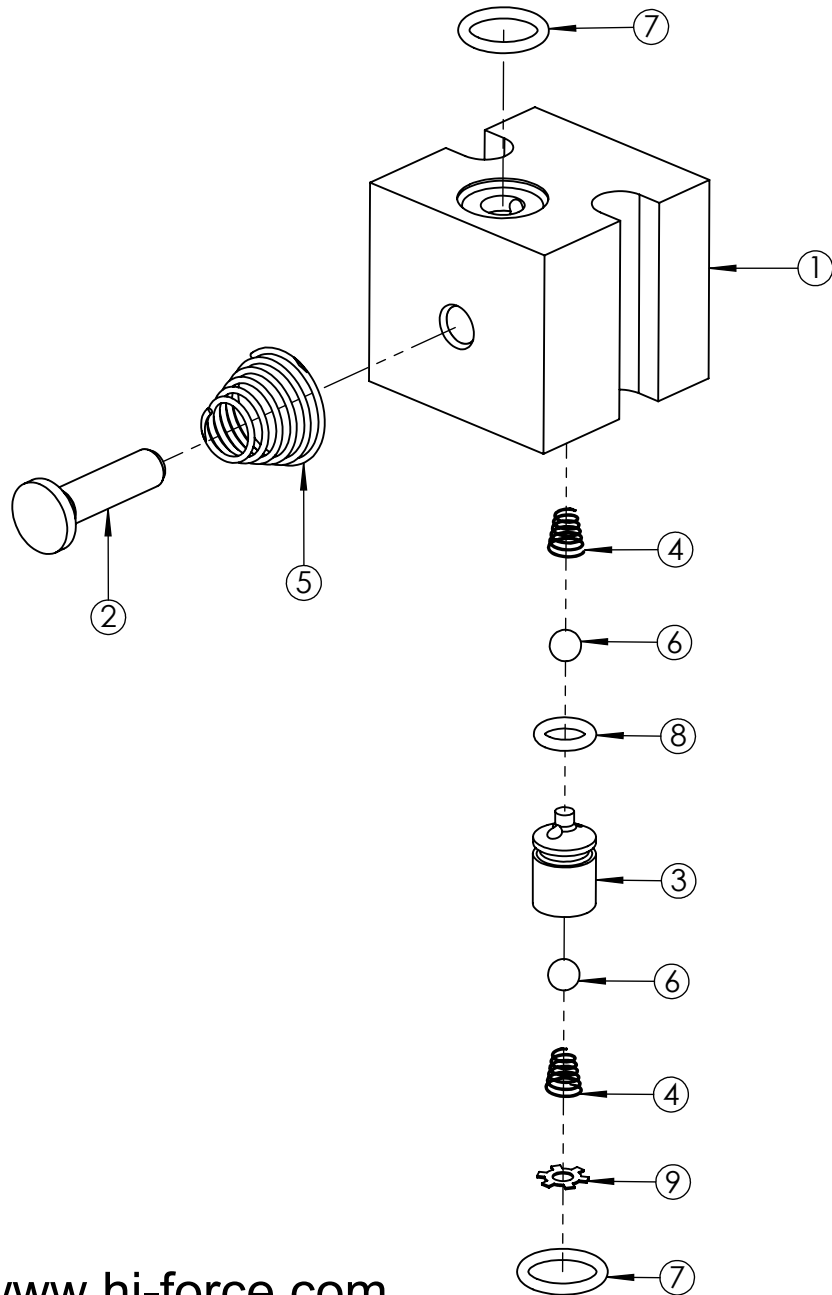






—

—



ITEM NO.	PART NUMBER	DESCRIPTION	QTY.	SPARE PARTS	SERVICE PARTS	REVISION
1	15494	PISTON BLOCK	1	X		1 5717
2	15495	PISTON	1	X		2 5866
3	15496	VALVE SEAT	1	X		3
4	15509	SUCTION/DELIVERY SPRING	2	X		4
5	15508	PUMP SPRING	1	X		5
6	BAC005SN000	Ø5 mm STEEL BALL GRADE 100	2	X		6
7	SEC014RF001	O-RING - I.D. 10.82 mm, C.S. 1.78 mm, NITRILE 90	2		✓	7
8	SEC010RA001	O-RING - I.D. 6.35 mm, C.S. 1.78 mm, NITRILE 70	1	X		8
9	STC008SA001	N1305-0031 SELF LOCKING RING	1	X		9
						10
						11
						12
						13
						14
						15
						16
						17
						18
						19
						20

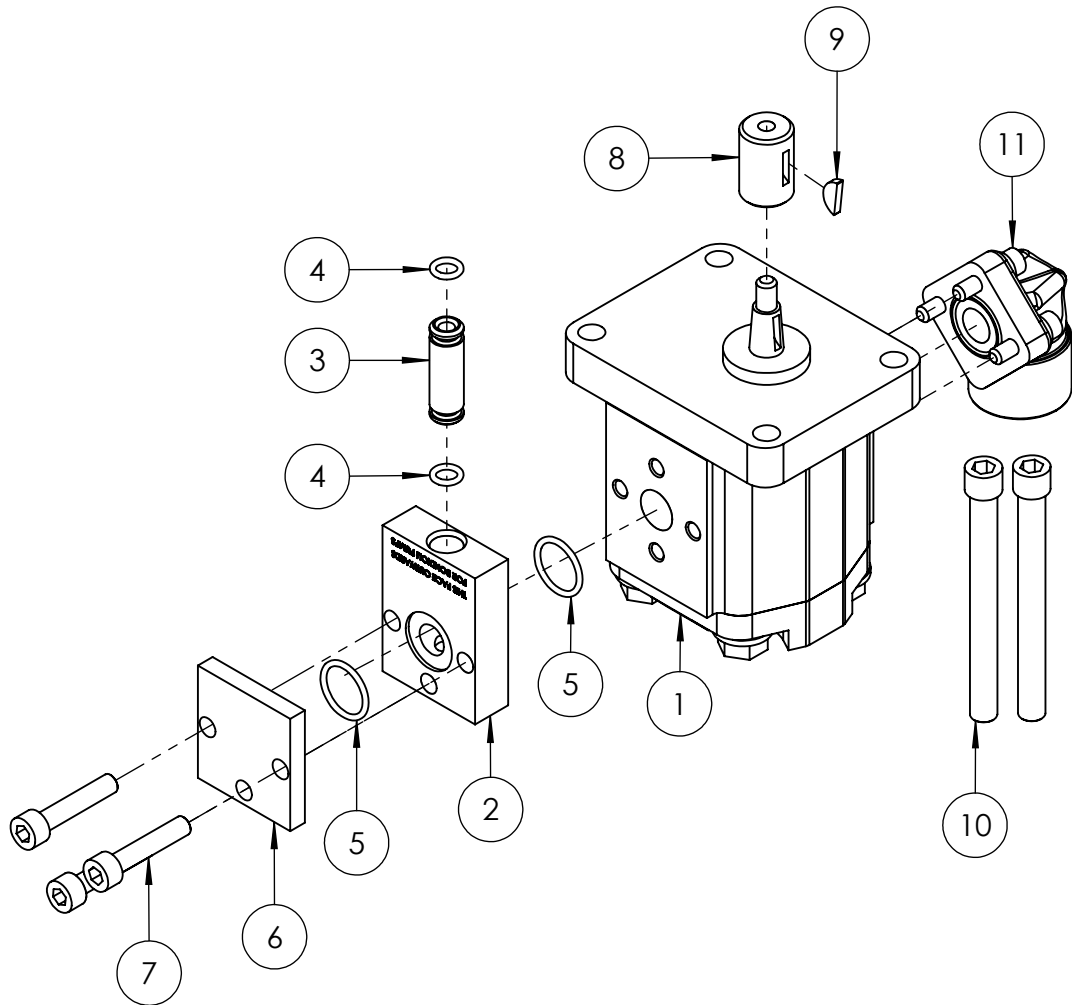
**NOTE:**

- ALL PARTS ARE AVAILABLE TO BE ORDERED AS SPARE PARTS (UNLESS MARKED WITH X).

- ONLY PARTS MARKED WITH ✓ ARE AVAILABLE AS BOTH SPARE PARTS OR SERVICEABLE PARTS, FROM **HEP-SK1 PUMP SERVICE KIT**. (REFER TO HEP-SK1: PUMP SERVICE KIT EVD FOR FULL PARTS LIST).

**IMPORTANT**

WHEN ORDERING SPARES YOU MUST STATE THE FULL PART NUMBER AND THE PRODUCT SERIAL NUMBER - FROM THE LABEL TO PROTECT YOUR WARRANTY ALWAYS USE GENUINE HI-FORCE PARTS.



ITEM NO.	PART NUMBER	DESCRIPTION	QTY.	SPARE PARTS	SERVICE PARTS	REVISION
1	GP60	GEAR PUMP	1			1 5939
2	PMC000TM001	TRANSFER PLATE	1			2
3	15510C	CONNECTOR TUBE	1			3
4	SEC010RA001	O-RING - I.D. 6.35 mm, C.S. 1.78 mm, NITRILE 70	2		✓	4
5	SEC019RF002	O-RING - I.D. 15.60, C.S. 1.78mm, NITRILE 90	2		✓	5
6	PMC000XM001	SEALING PLATE	1			6
7	BLC006JD030	M6 x 30 mm HEX SOCKET CAP HEAD SCREW	3			7
8	15507	ADAPTOR	1			8
9	PCC002WC001	KEY TO FIT 200/300 PUMPS	1			9
10	FAS008SP080	M8 X 80 HEX SOCKET REDUCED CAP HEAD SCREW (FULLY THREADED)	2			10
11	FPA013DC001	GEAR PUMP ELBOW (INC WITH GEAR PUMP)	1	x		11

**NOTE:**

- ALL PARTS ARE AVAILABLE TO BE ORDERED AS SPARE PARTS (UNLESS MARKED WITH X)
- ONLY PARTS MARKED WITH ✓ ARE AVAILABLE AS BOTH SPARE PARTS OR SERVICEABLE PARTS, FROM HEP-SK1 PUMP SERVICE KIT. (REFER TO HEP-SK1: PUMP SERVICE KIT EVD FOR FULL PARTS LIST)
- THE ORIENTATION OF ITEM NO. 2 (PMC000TM001) IS DETERMINED BY THE BRAND OF THE GP60 GEAR PUMP SUPPLIED (REFER TO SHEET 2 FOR FURTHER DETAILS)
- ITEM NO. 10 (FAS008SP080) ARE TO REPLACE TWO SCREWS (BLC008KC080) ON THE TYPE300-24, PRIOR TO FITTING PMA060GZ001 (REFER TO SHEET 3 FOR FURTHER DETAILS)
- INDIVIDUAL ITEMS ARE NOT AVAILABLE AS SPARE PARTS FOR HEP PUMPS WITH SERIAL NUMBERS EARLIER THAN **BR9070**. GP60 GEAR PUMP ASSEMBLY (PMA060GZ001) WILL NEED TO BE ORDERED. INDIVIDUAL ITEMS APART FROM ITEM NO. 11 ARE AVAILABLE AS SPARE PARTS FOR HEP PUMPS WITH SERIAL NUMBERS ABOVE **BR9070**

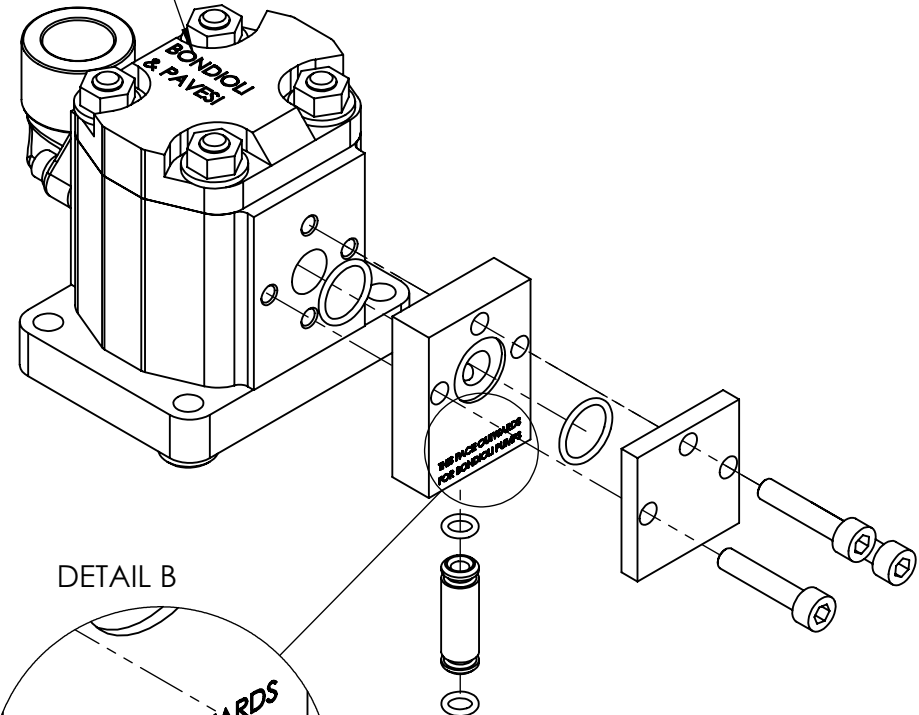
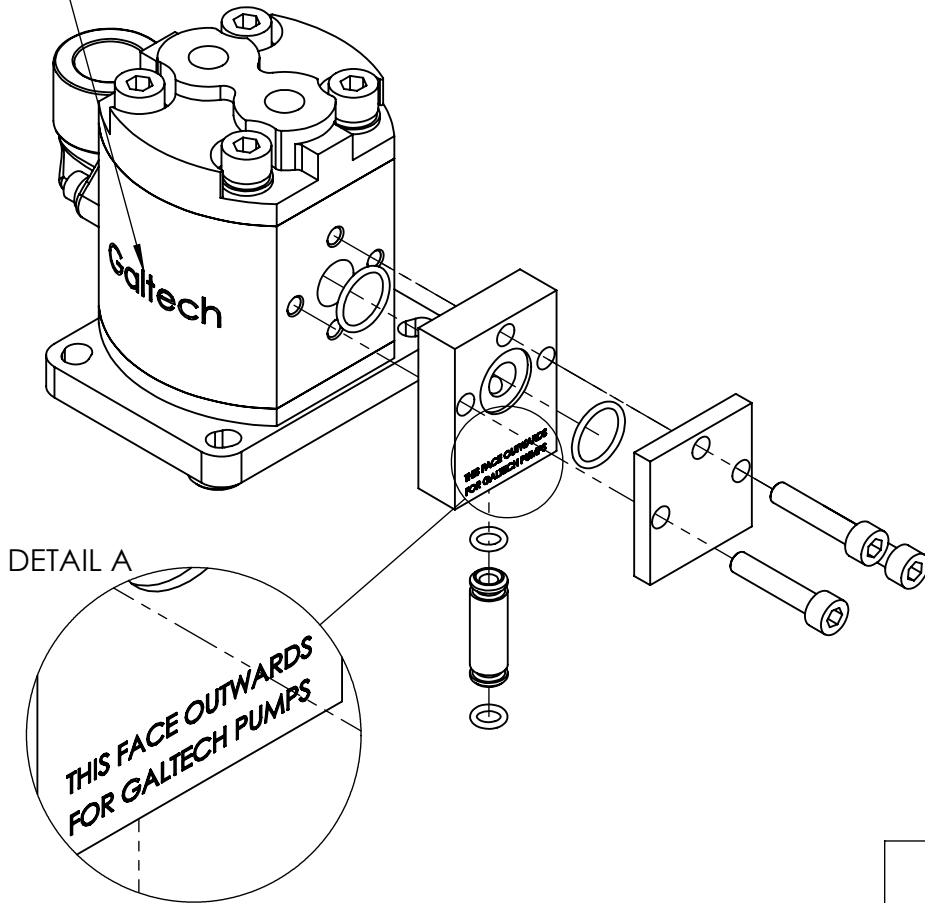
**IMPORTANT**

WHEN ORDERING SPARES YOU MUST STATE THE FULL PART NUMBER AND THE PRODUCT SERIAL NUMBER - FROM THE LABEL TO PROTECT YOUR WARRANTY ALWAYS USE GENUINE HI-FORCE PARTS.

**ORIENTATION OF TRANSFER PLATE**

FOR GALTECH GEAR PUMPS, LOOK FOR "GALTECH" USUALLY FOUND ON THE SIDE OF THE BODY

FOR BONDIOLI GEAR PUMPS, LOOK FOR "BONDIOLI & PAVESI" USUALLY FOUND ON THE BOTTOM OF THE BODY



REVISION

1	5939
2	
3	
4	
5	
6	
7	
8	
9	
10	
11	
12	
13	
14	
15	
16	
17	
18	
19	
20	

**IMPORTANT**  
WHEN ORDERING SPARES YOU MUST STATE THE FULL PART NUMBER AND THE PRODUCT SERIAL NUMBER - FROM THE LABEL TO PROTECT YOUR WARRANTY ALWAYS USE GENUINE HI-FORCE PARTS.

REVISION

1 5939

2

3

4

5

6

7

8

9

10

11

12

13

14

15

16

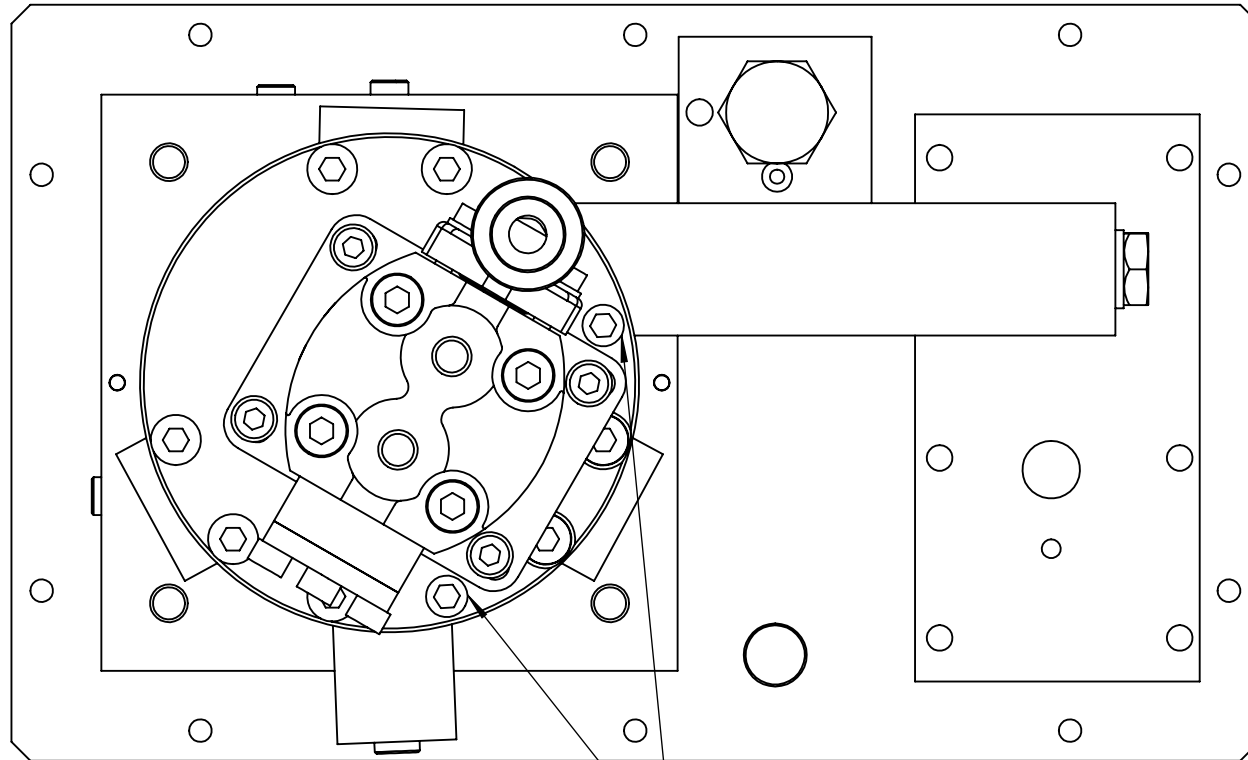
17

18

19

20

**TYPE300-24: BOTTOM VIEW**

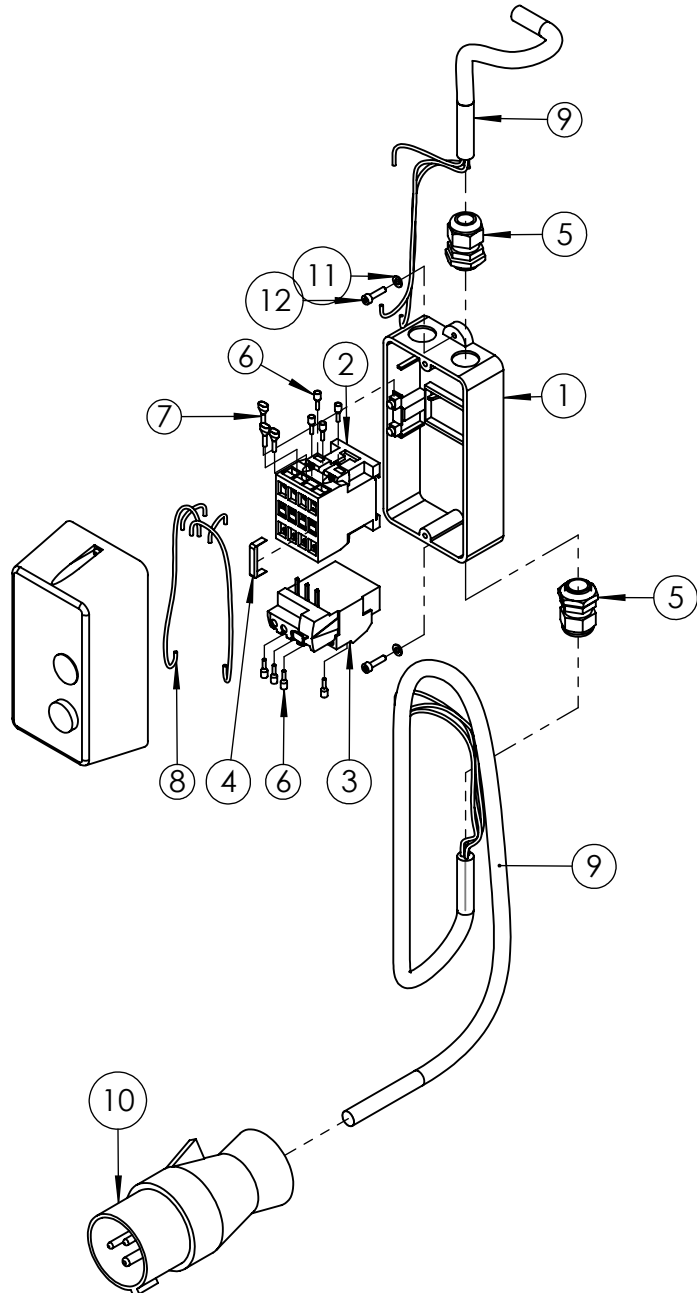


REMOVE THE TWO CURRENT SCREWS FROM THESE TWO POSITIONS AND REPLACE WITH ITEM NO. 10 (FAS008SP080)

**IMPORTANT**

WHEN ORDERING SPARES YOU MUST STATE THE FULL PART NUMBER AND THE PRODUCT SERIAL NUMBER - FROM THE LABEL TO PROTECT YOUR WARRANTY ALWAYS USE GENUINE HI-FORCE PARTS.





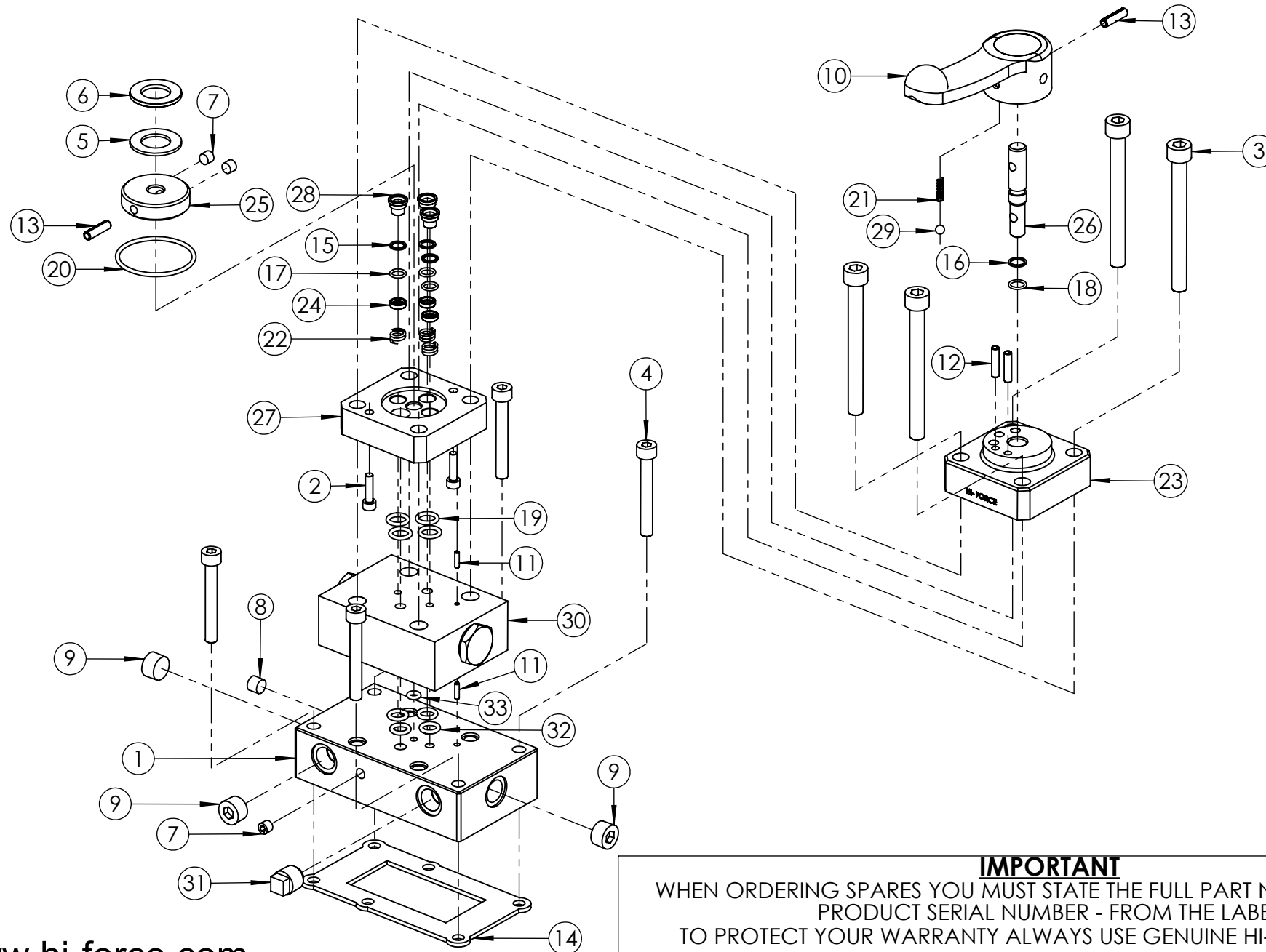
ITEM NO.	PART NUMBER	DESCRIPTION	QTY.	SPARE PARTS	SERVICE PARTS	REVISION
1	EMC000EF001	ENCLOSURE WITH PUSH BUTTONS P1MT	1			1 5717
2	EMC230KE001	CONTACTOR 230 VOLT	1			2
3	EMC230RE001	OVERLOAD RELAY 8-11 AMPS	1			3
4	EMC110XF001	BRIDGING BAR	1			4
5	NUC020LS002	GLAND 6-12MM	2			5
6	CEC250SX001	BOOTLACE FERRULE (INSULATED) 2.5mm GREY	8			6
7	CEC250SX002	TWIN BOOTLACE FERRULE 2.5 mm <sup>2</sup>	3			7
8	CEC250AC000	SINGLE CORE TR-RATED CABLE 2.5 mm <sup>2</sup>	1			8
9	CEC250CC000	3 CORE CABLE 2.5mm <sup>2</sup> H07RN-F3G 2.5	2			9
10	MCC240EP002	240V 16 Amp PLUG	1			10
11	WAC004YB000	M4 WASHER ST	2			11
12	BLC004JD016	M4 X 16 HEX SOCKET, CAP HEAD SCREW	2			12
						13
						14
						15
						16
						17
						18
						19
						20

**NOTE:**

- ALL PARTS ARE AVAILABLE TO BE ORDERED AS SPARE PARTS (UNLESS MARKED WITH X).

**IMPORTANT**

WHEN ORDERING SPARES YOU MUST STATE THE FULL PART NUMBER AND THE PRODUCT SERIAL NUMBER - FROM THE LABEL TO PROTECT YOUR WARRANTY ALWAYS USE GENUINE HI-FORCE PARTS.



REVISION

1 5717

2
3
4
5
6
7
8
9
10
11
12
13
14
15
16
17
18
19
20

**IMPORTANT**  
WHEN ORDERING SPARES YOU MUST STATE THE FULL PART NUMBER AND THE PRODUCT SERIAL NUMBER - FROM THE LABEL TO PROTECT YOUR WARRANTY ALWAYS USE GENUINE HI-FORCE PARTS.

ITEM NO.	PART NUMBER	DESCRIPTION	QTY.	SPARE PARTS	SERVICE PARTS
1	VFC010BF012	VALVE MOUNTING BLOCK	1		
2	BLC005HU020	M5 x 20 mm HEX SOCKET CAP HEAD SCREW	2		
3	BLC010LC100	M10 x 100 mm HEX SOCKET CAP HEAD SCREW	4		
4	BLC008KC060	M8 x 60 mm HEX SOCKET CAP HEAD SCREW	4		
5	BSC035NA001	NEEDLE BEARING	1		
6	BSC035NA002	HOUSING WASHER	1		
7	FPC002PN001	1/16" x 7/8" NPT SOCKET PLUG	3		
8	FPC003PN001	1/8" x 3/4" NPT TAPER DRY SEAL PRESS PLUG	1		
9	FPC010PN002	3/8" X 7/8" NPT SOCKET PLUG	3		
10	HLC012LP002	HANDLE	1		
11	PCC003RB006	Ø3 x 12 mm SELLOCK PIN	2		
12	PCC005RD002	Ø5 x 22 mm SPIROL PIN	2		
13	PCC006RD001	Ø6 X 22 mm SPIROL PIN	2		
14	SEC003KT001	VALVE GASKET	1		✓
15	SEC011BA001	BACK UP RING	3		✓
16	SEC012BA002	BACK UP RING	1		✓
17	SEC011RA001	O-RING - I.D. 8.10 mm, C.S. 1.6 mm, NITRILE 90	3		✓
18	SEC012RA003	O-RING - I.D. 9 mm, C.S. 1.50 mm, NITRILE 70	1		✓
19	SEC016RA002	O-RING - I.D. 10.77 mm, C.S. 2.62 mm, NITRILE 70	4		✓
20	SEC049RF001	O-RING - I.D. 48.90 mm, C.S. 2.62 mm, NITRILE 90	1		✓
21	SPC005KA001	SPRING	1		
22	SPC010CA001	SPRING	3		
23	VFC000BD003	VALVE BODY	1		
24	VFC000SC001	SHEAR SEAL COLLAR	3		
25	VFC000SQ002	VALVE ROTOR	1		

ITEM NO.	PART NUMBER	DESCRIPTION	QTY.	SPARE PARTS	SERVICE PARTS	REVISION
26	VFC000SR002	SPINDLE	1			1 5717
27	VFC000ST001	SHEAR SEAL PLATE	1			2
28	VFC000SU001	SHEAR SEAL	3			3
29	BAC006SN000	Ø6 mm STEEL BALL	1			4
30	<b>VA305</b>	SINGLE PO CHECK VALVE	1			5
31	BPC010SP004	3/8 NPT PLASTIC BLANKING PLUG (RED)	1			6
32	SEC014RA001	O-RING - I.D. 9.19mm, C.S. 2.62mm, NITRILE 90	4		✓	7
33	SEC010RF002	O-RING - I.D. 4.42 mm, C.S. 2.62 mm, NITRILE 70	1		✓	8
						9
						10
						11
						12
						13
						14
						15
						16
						17
						18
						19
						20

**NOTE:**

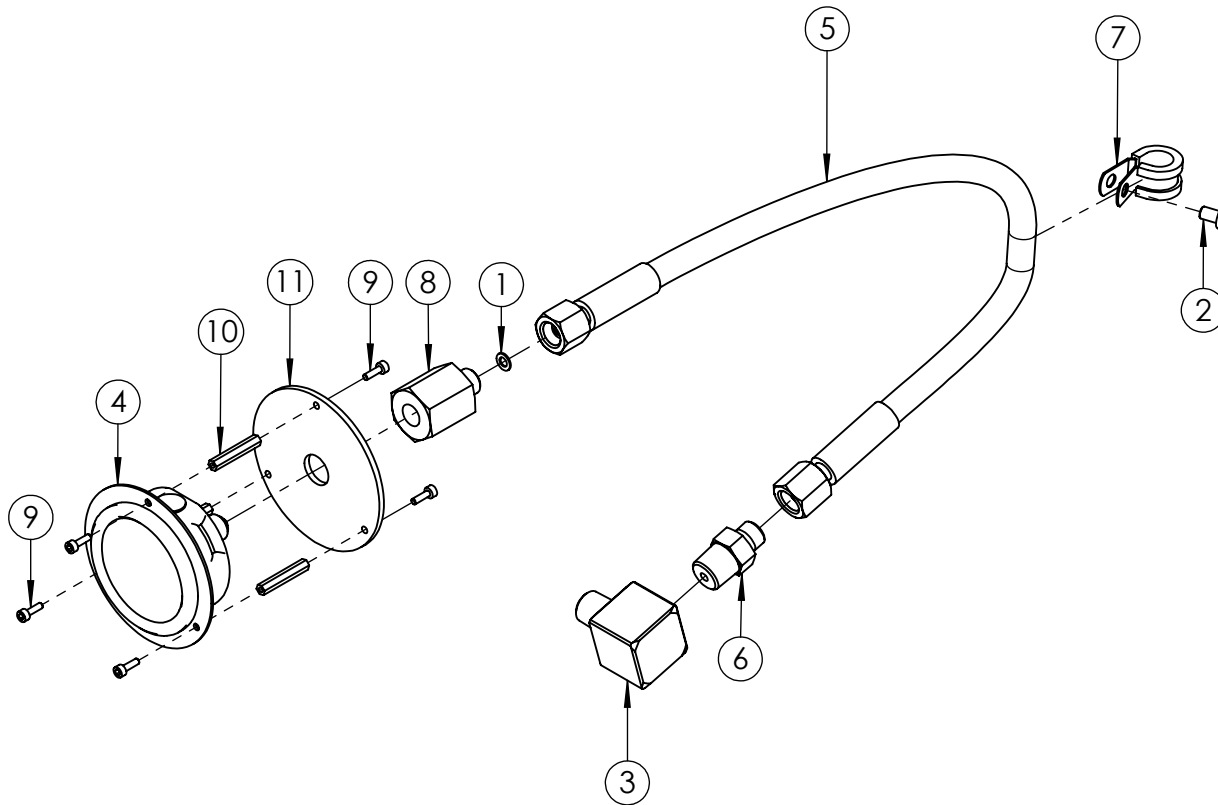
- ALL PARTS ARE AVAILABLE TO BE ORDERED AS SPARE PARTS (UNLESS MARKED WITH **X**).

- ONLY PARTS MARKED WITH **✓** ARE AVAILABLE AS BOTH SPARE PARTS OR SERVICEABLE PARTS, FROM **DCV-M1 : SERVICE KIT (3 & WAY MANUAL VALVES)**. (REFER TO **DCV-M1** EVD FOR FULL PARTS LIST).

- IF ITEM NO. 30 IS ORDERED AS A SPARE PART, THIS ALREADY COMES WITH ITEM NO.s 32 & 33. THEREFORE THESE ARE NOT REQUIRED TO BE ORDERED SEPERATELY.

**IMPORTANT**

WHEN ORDERING SPARES YOU MUST STATE THE FULL PART NUMBER AND THE PRODUCT SERIAL NUMBER - FROM THE LABEL TO PROTECT YOUR WARRANTY ALWAYS USE GENUINE HI-FORCE PARTS.



ITEM NO.	PART NUMBER	DESCRIPTION	QTY.	SPARE PARTS	REVISION
1	WAC005EC001	M5 X 9 X 1.0 COPPER SEALING WASHER	1		1 5717
2	BLC006JH010	M6 X 10 mm, HEX SOCKET, BUTTON HEAD SCREW	1		2
3	HF16	ELBOW, 3/8" NPT FEMALE TO 3/8" NPT MALE	1		3
4	PGB063PF001	FLANGE MOUNTED 700 Bar PRESSURE GAUGE	1		4
5	HOC006GB001	700 Bar GAUGE HOSE WITH 1/4" BSP CONE FEMALE FITTINGS	1		5
6	FPC010BN008	M/M ADAPTOR 3/8 NPT x 1/4 BSP INT 60° CONE 1000 Bar (STAINLESS STEEL)	1		6
7	ANC013PC001	13mm BLACK STAINLESS STEEL P CLIP	1		7
8	FPC006BB002	700 Bar SS 1/4" BSPP x BSPP FIXED FEMALE GAUGE ADAPTOR	1		8
9	BLC003ZD010	M3 X 10 mm HEX SOCKET CAP HEAD SCREW	6		9
10	NUC003UK001	M3 FEMALE STEEL HEX STANDOFF 30mm LONG	3		10
11	SFC085HA001	STRAIN RELIEF PLATE	1		11

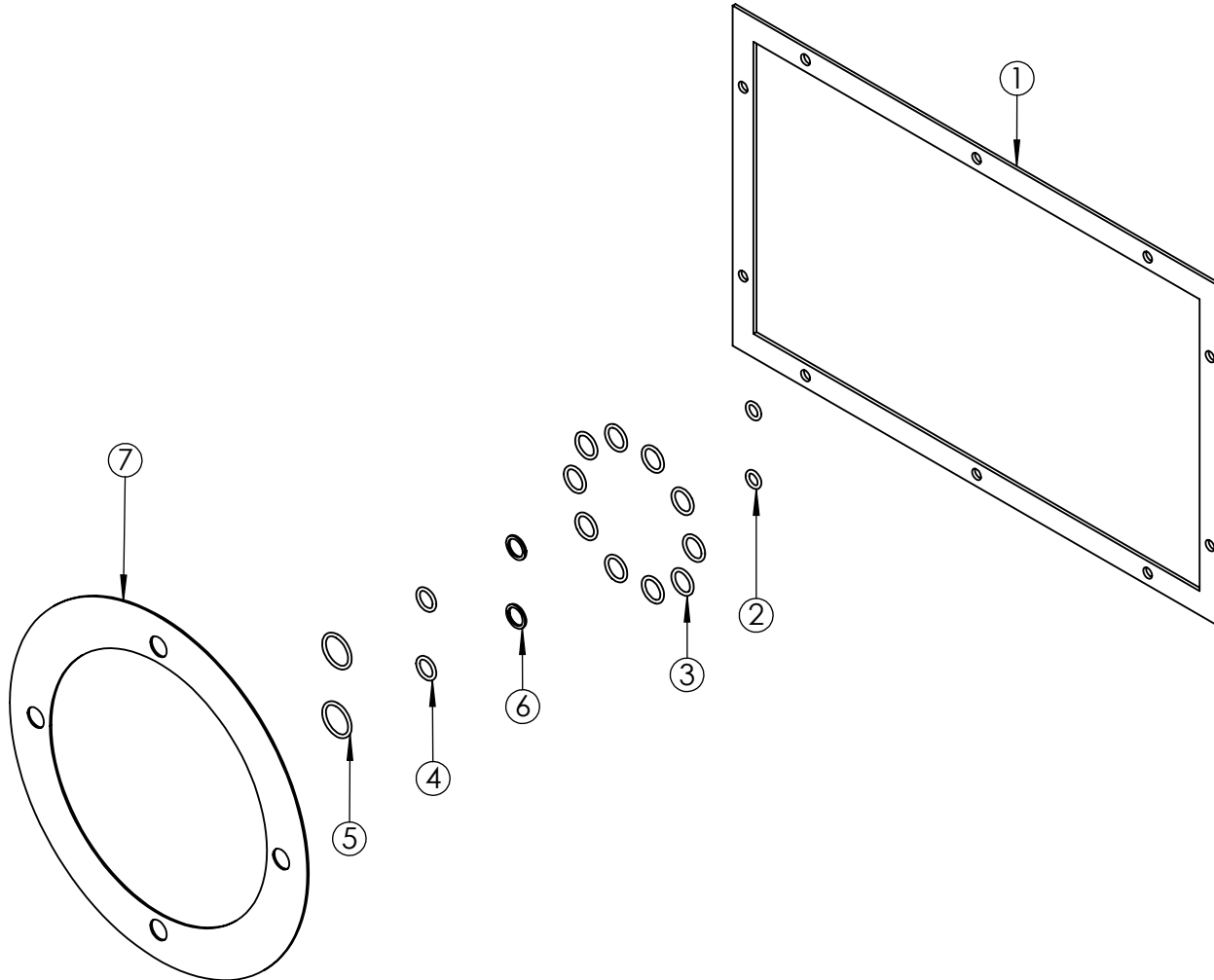
**NOTE:**

- ALL PARTS ARE AVAILABLE TO BE ORDERED AS SPARE PARTS (UNLESS MARKED WITH X).

**IMPORTANT**

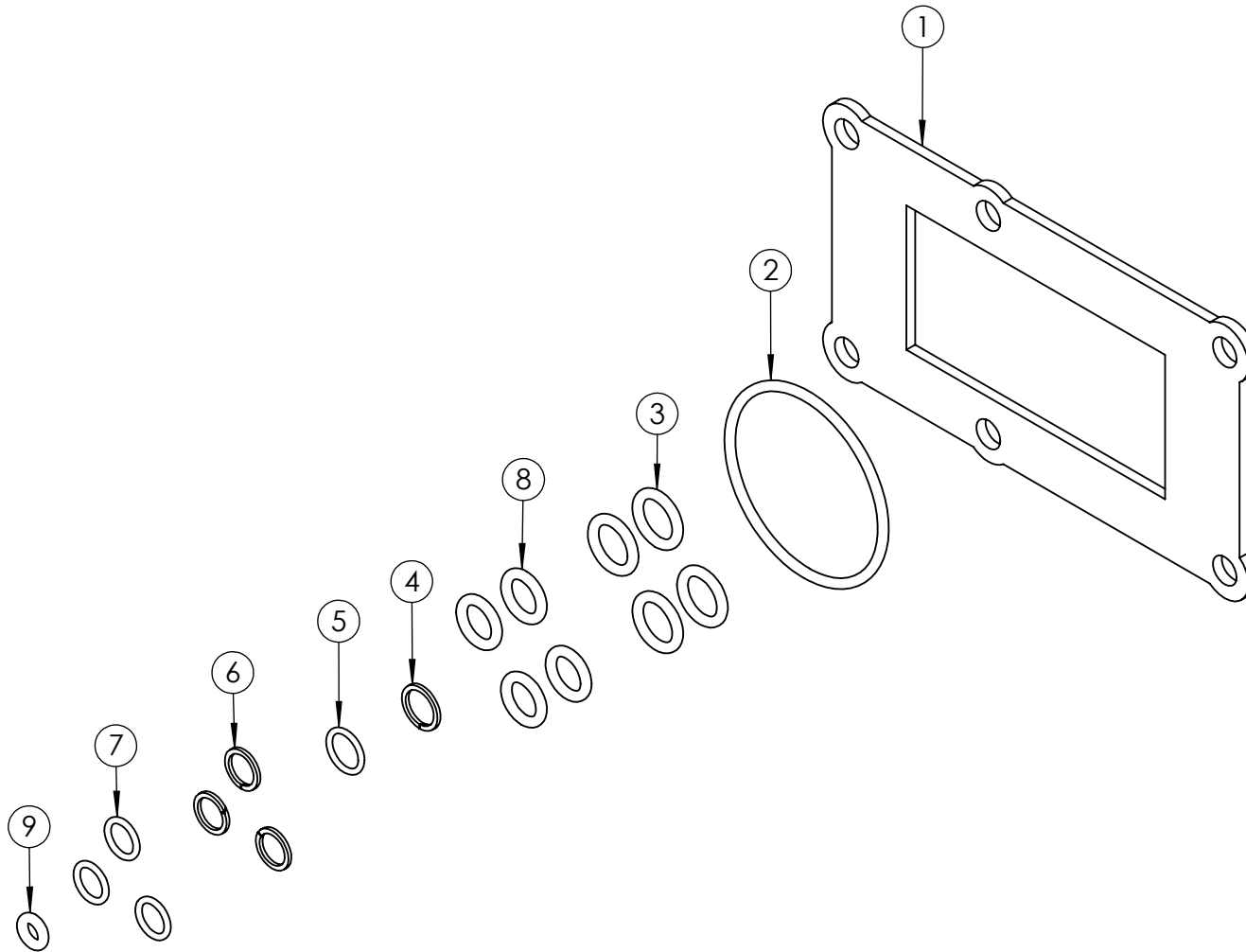
WHEN ORDERING SPARES YOU MUST STATE THE FULL PART NUMBER AND THE PRODUCT SERIAL NUMBER - FROM THE LABEL TO PROTECT YOUR WARRANTY ALWAYS USE GENUINE HI-FORCE PARTS.

ITEM NO.	PART NUMBER	DESCRIPTION	QTY.	REVISION
1	15482	TANK GASKET	1	1 5717
2	SEC010RA001	O-RING - I.D. 6.35 mm, C.S. 1.78 mm, NITRILE 70	2	2 5939
3	SEC014RF001	O-RING - I.D. 10.82 mm, C.S. 1.78 mm, NITRILE 90	10	3
4	SEC013RA001	O-RING - I.D. 9.25mm, C.S. 1.78mm, NITRILE 90	2	4
5	SEC019RF002	O-RING - I.D. 15.60, C.S. 1.78mm, NITRILE 90	2	5
6	SEC013BA001	BACK-UP RING - PTFE, SOLID SPLIT	2	6
7	SEC001KT003	GASKET	1	7
				8
				9
				10
				11
				12
				13
				14
				15
				16
				17
				18
				19
				20



**IMPORTANT**

WHEN ORDERING SPARES YOU MUST STATE THE FULL PART NUMBER AND THE PRODUCT SERIAL NUMBER - FROM THE LABEL TO PROTECT YOUR WARRANTY ALWAYS USE GENUINE HI-FORCE PARTS.



ITEM NO.	PART NUMBER	DESCRIPTION	QTY.	REVISION
1	SEC003KT001	VALVE GASKET	1	1 5717
2	SEC049RF001	O-RING - I.D. 48.90 mm, C.S. 2.62 mm, NITRILE 90	1	2
3	SEC016RA002	O-RING - I.D. 10.77 mm, C.S. 2.62 mm, NITRILE 70	4	3
4	SEC012BA002	BACK UP RING	1	4
5	SEC012RA003	O-RING - I.D. 9 mm, C.S. 1.50 mm, NITRILE 70	1	5
6	SEC011BA001	BACK UP RING	3	6
7	SEC011RA001	O-RING - I.D. 8.10 mm, C.S. 1.6 mm, NITRILE 90	3	7
8	SEC014RA001	O-RING - I.D. 9.19mm, C.S. 2.62mm, NITRILE 90	4	8
9	SEC010RF002	O-RING - I.D. 4.42 mm, C.S. 2.62 mm, NITRILE 70	1	9
				10
				11
				12
				13
				14
				15
				16
				17
				18
				19
				20

**IMPORTANT**

WHEN ORDERING SPARES YOU MUST STATE THE FULL PART NUMBER AND THE PRODUCT SERIAL NUMBER - FROM THE LABEL TO PROTECT YOUR WARRANTY ALWAYS USE GENUINE HI-FORCE PARTS.