

REVISION

1 5817

2 6154

3

4

5

6

7

8

9

10

11

12

13

14

15

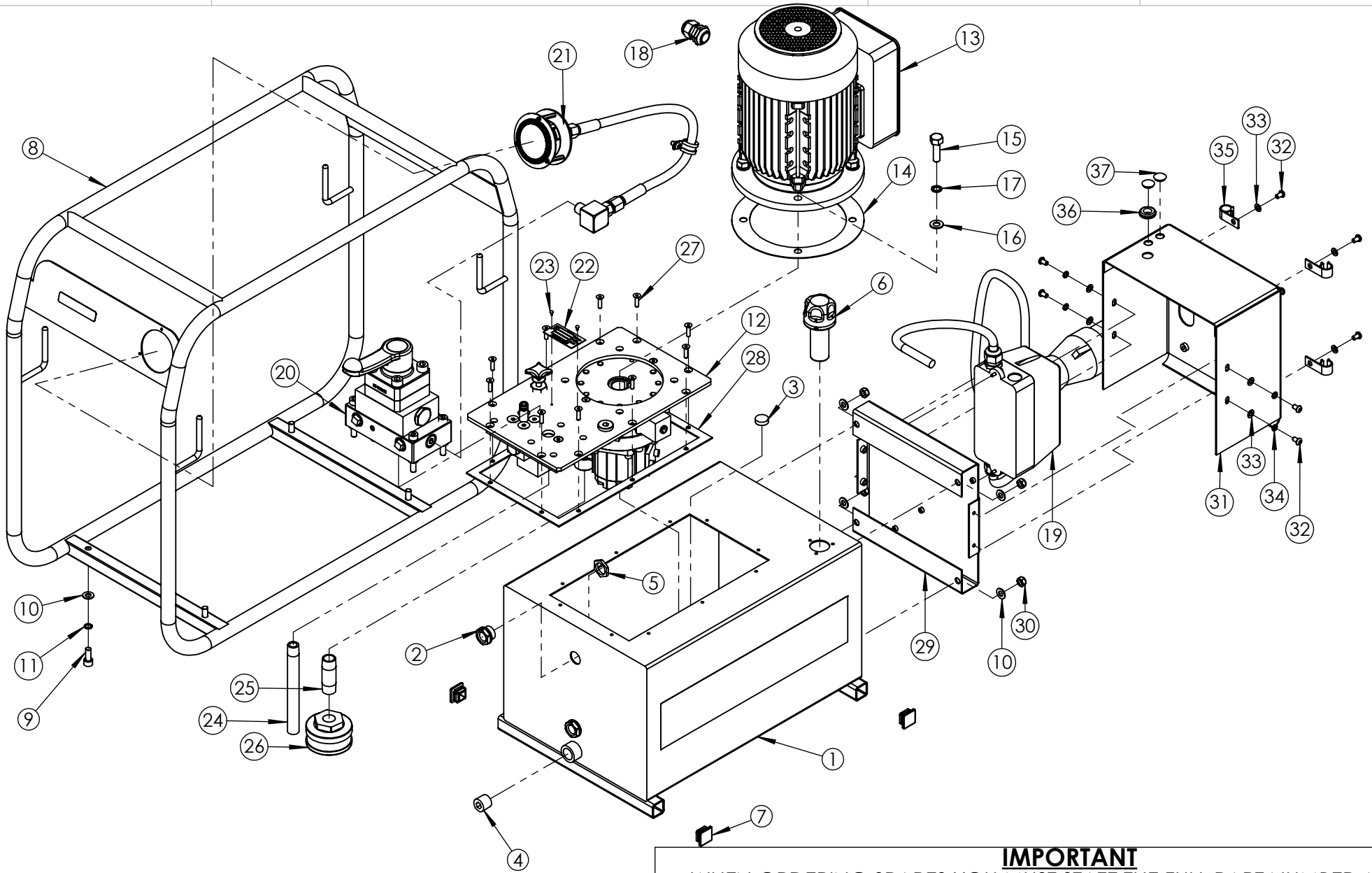
16

17

18

19

20



IMPORTANT
WHEN ORDERING SPARES YOU MUST STATE THE FULL PART NUMBER AND THE PRODUCT SERIAL NUMBER - FROM THE LABEL TO PROTECT YOUR WARRANTY ALWAYS USE GENUINE HI-FORCE PARTS.

| ITEM NO. | PART NUMBER | DESCRIPTION | QTY. | SPARE PARTS | SERVICE PARTS | ITEM NO. | PART NUMBER | DESCRIPTION | QTY. | SPARE PARTS | SERVICE PARTS | REVISION |
|----------|--------------------|--|------|-------------|---------------|----------|-------------|---|------|-------------|---------------|----------|
| 1 | TAC025AS006 | 25L TANK | 1 | | | 22 | AAN000UP001 | 60 x 30 mm UNIVERSAL NAME PLATE | 1 | X | | 1 5817 |
| 2 | BLC021YT010 | SIGHT GLASS HGF.13 BLACK OIL LEVEL INDICATOR | 2 | | | 23 | FAS002HZ001 | NO.4 x 3/16 HAMMER DRIVE SCREW | 2 | | | 2 6154 |
| 3 | DCSF00328 | DOUBLE SIDED MAGNET | 1 | | | 24 | TAC000PA001 | 160 mm LONG SUCTION PIPE | 1 | | | 3 |
| 4 | FPC013PC001 | 1/2" BSP PLUG - HEX SOCKET | 1 | | | 25 | FPC013AC001 | BARREL NIPPLE | 1 | | | 4 |
| 5 | NUC021-B000 | 1/2" BSP LOCK NUT | 2 | | | 26 | FFC045MZ001 | FILTER | 1 | | | 5 |
| 6 | FFC028PZ001 | FILLER/BREATHER | 1 | | | 27 | BLC005HF020 | M5 x 20 mm HEX SOCKET COUNTERSUNK SCREW | 10 | | | 6 |
| 7 | BPC025KP001 | 1" SQ RIBBED INSERT BLACK | 4 | | | 28 | 15482 | TANK GASKET | 1 | | ✓ | 7 |
| 8 | TAC025CS003 | 25L ROLL FRAME | 1 | | | 29 | TAC000FS003 | MOUNTING PLATE | 1 | | | 8 |
| 9 | BLC008KD020 | M8 x 20 mm HEX SOCKET CAP HEAD SCREW | 4 | | | 30 | NUC008KC000 | M8 NYLOC NUT | 4 | | | 9 |
| 10 | WAC008AB000 | M8 PLAIN WASHER | 8 | | | 31 | TAC000FS004 | HOUSING | 1 | | | 10 |
| 11 | WAC008BB000 | M8 ZINC PLATED SPRING WASHER | 4 | | | 32 | BLC006JH010 | M6 X 10 mm BUTTON HEAD HEX SOCKET SCREW | 8 | | | 11 |
| 12 | TYPE300-24 | 300 SERIES PUMP UNIT | 1 | | | 33 | WAC006AF000 | M6 ZINC WASHER | 8 | | | 12 |
| 13 | EM230-1.5-4LAF | ELECTRIC MOTOR 1.5KW 230VAC | 1 | | | 34 | WAC006BC001 | M6 SPRING ZINC WASHER (SQUARE SECTION) | 4 | | | 13 |
| 14 | SEC001KT003 | GASKET | 1 | | ✓ | 35 | ANC015PC001 | CABLE CLIP BLACK SCREW POLYACETAL CABLE CLIP, 15mm | 4 | | | 14 |
| 15 | BLC010LB035 | M10 x 35 mm HEX HEAD BOLT, ZINC PLATED | 4 | | | 36 | SEC013EH001 | 12.7mm ID BLACK PVC OPEN GROMMET | 1 | | | 15 |
| 16 | WAC010AB000 | M10 ZINC PLATED FLAT WASHER | 4 | | | 37 | SEC013EH002 | 12.7mm OD BLACK PVC BLIND GROMMET | 2 | | | 16 |
| 17 | WAC010BZ000 | M10 SPRING WASHER | 4 | | | * | SFC065FA002 | BLANKING PLATE | 1 | | | 17 |
| 18 | NUC020LS002 | GLAND 6-12MM | 1 | | | | | | | | | 18 |
| 19 | EMA230UE001 | MOTOR STARTER ASSEMBLY 230V | 1 | | | | | | | | | 19 |
| 20 | PMV4L | 4 WAY, MANUALLY OPERATED, PUMP MOUNTED DIRECTIONAL CONTROL VALVE WITH LOAD HOLDING | 1 | | | | | | | | | 20 |
| 21 | PGP063AK001 | HEP & HAP PRESSURE GAUGE ASSEMBLY | 1 | | | | | | | | | |

NOTE:

- ALL PARTS ARE AVAILABLE TO BE ORDERED AS SPARE PARTS (UNLESS MARKED WITH X).
- ONLY PARTS MARKED WITH ✓ ARE AVAILABLE AS BOTH SPARE PARTS OR SERVICEABLE PARTS, FROM **HEP-SK1 PUMP SERVICE KIT**. (REFER TO HEP-SK1: PUMP SERVICE KIT EVD FOR FULL PARTS LIST)
- FOR SUB ASSEMBLIES (ITEM NO.S 12, 19, 20 & 21) REFER TO THEIR INDIVIDUAL EVD'S.

IMPORTANT

WHEN ORDERING SPARES YOU MUST STATE THE FULL PART NUMBER AND THE PRODUCT SERIAL NUMBER - FROM THE LABEL TO PROTECT YOUR WARRANTY ALWAYS USE GENUINE HI-FORCE PARTS.

| ITEM NO. | PART NUMBER | DESCRIPTION | QTY. | SPARE PARTS | SERVICE PARTS |
|----------|-------------|--|------|-------------|---------------|
| 1 | TAC000BA003 | COVER PLATE | 1 | | |
| 2 | PMC000UM001 | UPPER PLATE | 1 | | |
| 3 | PMC000LF001 | LOWER PLATE | 1 | | |
| 4 | 15503 | CONNECTOR PIPE | 1 | | |
| 5 | 15505 | 24mm DRIVE SHAFT | 1 | | |
| 6 | 17587 | TRANSFER BLOCK | 1 | | |
| 7 | 17588 | VALVE PLATE | 1 | | |
| 8 | BAC008SN000 | Ø8 mm STEEL BALL GRADE 100 | 5 | | |
| 9 | BLC005HF016 | M5 x 16 mm HEX SOCKET COUNTERSUNK SCREW | 2 | | |
| 10 | BLC006JE016 | M6 x 16 mm HEX SOCKET COUNTERSUNK SCREW | 1 | | |
| 11 | BLC008KF035 | M8 x 35 mm HEX SOCKET COUNTERSUNK SCREW | 4 | | |
| 12 | BLC006JC045 | M6 x 45 mm HEX SOCKET CAP HEAD SCREW | 2 | | |
| 13 | BLC006JD025 | M6 x 25 mm HEX SOCKET CAP HEAD SCREW | 4 | | |
| 14 | BLC008KC080 | M8 x 80 mm HEX SOCKET CAP HEAD SCREW | 6 | | |
| 15 | BLC008KC060 | M8 x 60 mm HEX SOCKET CAP HEAD SCREW | 2 | | |
| 16 | BPC006RS001 | SEALING PLUG | 4 | | |
| 17 | BSC025MC001 | LOWER PLATE BEARING | 1 | | |
| 18 | BSC035NC001 | UPPER PLATE BEARING | 1 | | |
| 19 | BSC040ND001 | ECCENTRIC BEARING | 1 | | |
| 20 | FAS006GJ010 | 1/4" BSP HEX HEAD BLANKING PLUG | 1 | | |
| 21 | FAS010MA010 | M10 X 10 CUP POINT GRUB SCREW | 5 | | |
| 22 | FFC012MA001 | SUCTION FILTER | 1 | | |
| 23 | HPRV1 | HIGH PRESSURE R/VALVE | 1 | | |
| 24 | LPRV1 | LOW PRESSURE R/VALVE | 1 | | |
| 25 | SEC013BA001 | BACK-UP RING - PTFE, SOLID SPLIT | 2 | | ✓ |
| 26 | SEC013RA001 | O-RING - I.D. 9.25mm, C.S. 1.78mm, NITRILE 90 | 2 | | ✓ |
| 27 | SEC014RF001 | O-RING - I.D. 10.82 mm, C.S. 1.78 mm, NITRILE 90 | 4 | | ✓ |

| ITEM NO. | PART NUMBER | DESCRIPTION | QTY. | SPARE PARTS | SERVICE PARTS | REVISION |
|----------|--------------------|--|------|-------------|---------------|----------|
| 28 | SEC035WE001 | UPPER PLATE OIL SEAL | 1 | | | 1 5817 |
| 29 | STC025AA001 | EXTERNAL CIRCLIP - 25 x 1.2 mm D1400/025 | 1 | | | 2 5939 |
| 30 | STC040AA001 | EXTERNAL CIRCLIP - 40 x 1.75 mm D2100/0400 | 2 | | | 3 |
| 31 | WAC006AF000 | M6 ZINC WASHER | 4 | | | 4 |
| 32 | WAC006BC001 | M6 SPRING ZINC WASHER (SQUARE SECTION) | 2 | | | 5 |
| 33 | WAC007HD000 | 1/4" BSP SELF CENTERING BONDED WASHER | 1 | | | 6 |
| 34 | STC047BA001 | INTERNAL CIRCLIP - 47 x 1.75 mm D1300/0470 | 1 | | | 7 |
| 35 | 15494-A | PISTON BLOCK ASSEMBLY | 3 | | | 8 |
| 36 | FPC010PB001 | 3/8" BSP BLANKING PLUG | 1 | | | 9 |
| 37 | PMA060GZ001 | GP60 GEAR PUMP ASSEMBLY | 1 | | | 10 |
| | | | | | | 11 |
| | | | | | | 12 |
| | | | | | | 13 |
| | | | | | | 14 |
| | | | | | | 15 |
| | | | | | | 16 |
| | | | | | | 17 |
| | | | | | | 18 |
| | | | | | | 19 |
| | | | | | | 20 |

NOTE:

- ALL PARTS ARE AVAILABLE TO BE ORDERED AS SPARE PARTS (UNLESS MARKED WITH X).

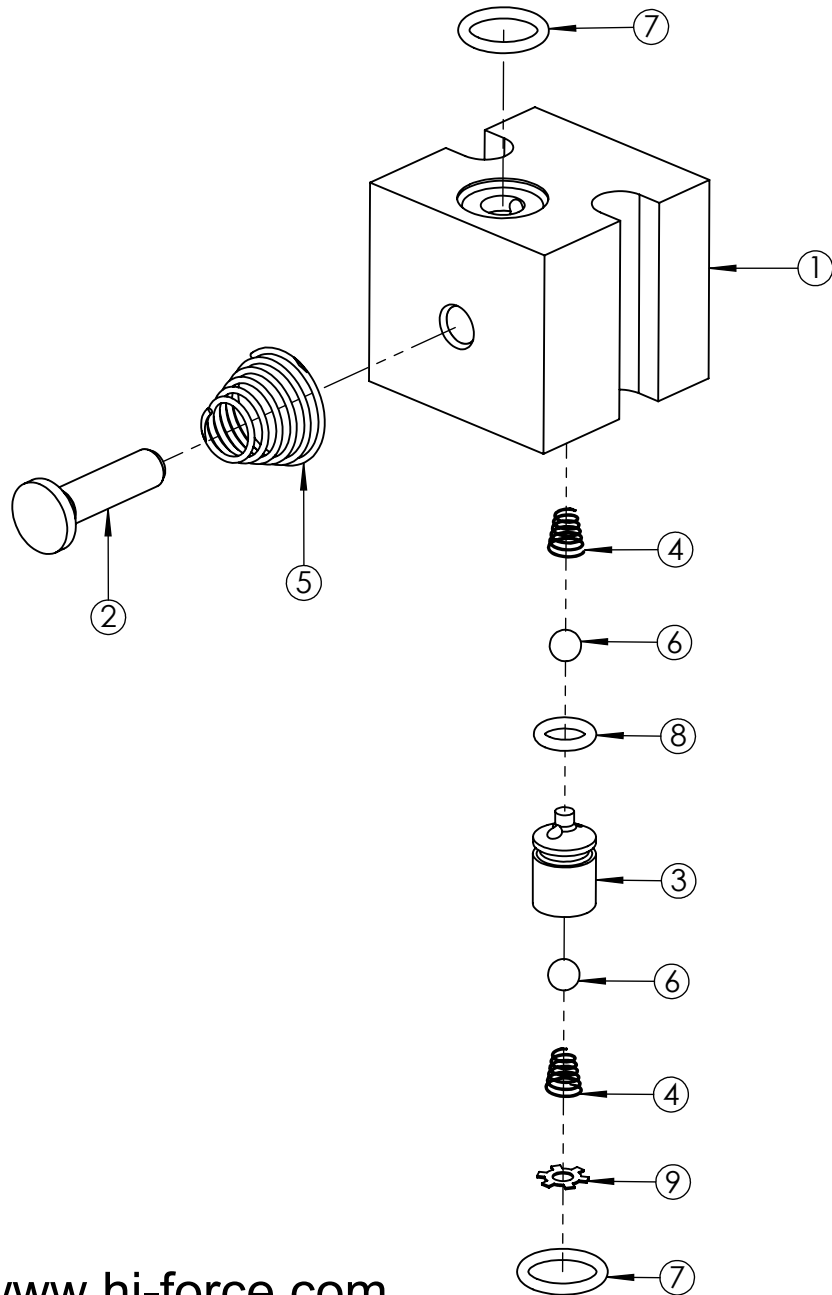
- ONLY PARTS MARKED WITH ✓ ARE AVAILABLE AS BOTH SPARE PARTS OR SERVICEABLE PARTS FROM **HEP-SK1 PUMP SERVICE KIT**. (REFER TO HEP-SK1: PUMP SERVICE KIT EVD FOR FULL PARTS LIST)

- IF ITEM NO. 24 (**LPRV1**) IS ORDERED AS A SPARE PART, THIS ALREADY COMES WITH 2 OFF ITEM NO.27 (**SEC014RF001**). THEREFORE THESE ARE NOT REQUIRED TO BE ORDERED SEPERATELY.

- FOR SUB ASSEMBLIES - ITEM NO. 35 (**15494-A**) & ITEM NO. 37 (**PMA060GZ001**) REFER TO THEIR INDIVIDUAL EVD'S.

IMPORTANT

WHEN ORDERING SPARES YOU MUST STATE THE FULL PART NUMBER AND THE PRODUCT SERIAL NUMBER - FROM THE LABEL TO PROTECT YOUR WARRANTY ALWAYS USE GENUINE HI-FORCE PARTS.



| ITEM NO. | PART NUMBER | DESCRIPTION | QTY. | SPARE PARTS | SERVICE PARTS | REVISION |
|----------|-------------|--|------|-------------|---------------|----------|
| 1 | 15494 | PISTON BLOCK | 1 | X | | 1 5717 |
| 2 | 15495 | PISTON | 1 | X | | 2 5866 |
| 3 | 15496 | VALVE SEAT | 1 | X | | 3 |
| 4 | 15509 | SUCTION/DELIVERY SPRING | 2 | X | | 4 |
| 5 | 15508 | PUMP SPRING | 1 | X | | 5 |
| 6 | BAC005SN000 | Ø5 mm STEEL BALL GRADE 100 | 2 | X | | 6 |
| 7 | SEC014RF001 | O-RING - I.D. 10.82 mm, C.S. 1.78 mm, NITRILE 90 | 2 | | ✓ | 7 |
| 8 | SEC010RA001 | O-RING - I.D. 6.35 mm, C.S. 1.78 mm, NITRILE 70 | 1 | X | | 8 |
| 9 | STC008SA001 | N1305-0031 SELF LOCKING RING | 1 | X | | 9 |
| | | | | | | 10 |
| | | | | | | 11 |
| | | | | | | 12 |
| | | | | | | 13 |
| | | | | | | 14 |
| | | | | | | 15 |
| | | | | | | 16 |
| | | | | | | 17 |
| | | | | | | 18 |
| | | | | | | 19 |
| | | | | | | 20 |

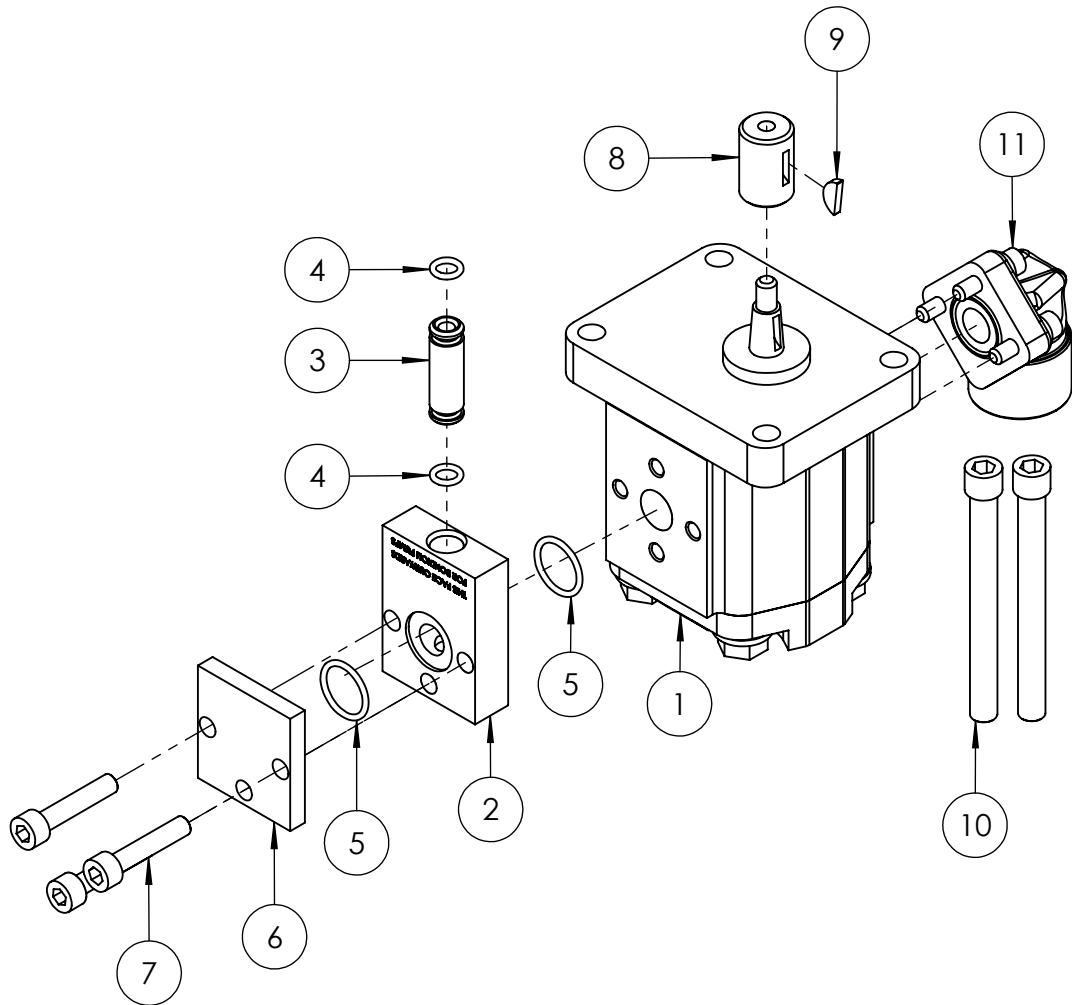
NOTE:

- ALL PARTS ARE AVAILABLE TO BE ORDERED AS SPARE PARTS (UNLESS MARKED WITH X).

- ONLY PARTS MARKED WITH ✓ ARE AVAILABLE AS BOTH SPARE PARTS OR SERVICEABLE PARTS, FROM **HEP-SK1 PUMP SERVICE KIT**. (REFER TO HEP-SK1: PUMP SERVICE KIT EVD FOR FULL PARTS LIST).

IMPORTANT

WHEN ORDERING SPARES YOU MUST STATE THE FULL PART NUMBER AND THE PRODUCT SERIAL NUMBER - FROM THE LABEL TO PROTECT YOUR WARRANTY ALWAYS USE GENUINE HI-FORCE PARTS.



| ITEM NO. | PART NUMBER | DESCRIPTION | QTY. | SPARE PARTS | SERVICE PARTS | REVISION |
|----------|-------------|--|------|-------------|---------------|----------|
| 1 | GP60 | GEAR PUMP | 1 | | | 1 5939 |
| 2 | PMC000TM001 | TRANSFER PLATE | 1 | | | 2 |
| 3 | 15510C | CONNECTOR TUBE | 1 | | | 3 |
| 4 | SEC010RA001 | O-RING - I.D. 6.35 mm, C.S. 1.78 mm, NITRILE 70 | 2 | | ✓ | 4 |
| 5 | SEC019RF002 | O-RING - I.D. 15.60, C.S. 1.78mm, NITRILE 90 | 2 | | ✓ | 5 |
| 6 | PMC000XM001 | SEALING PLATE | 1 | | | 6 |
| 7 | BLC006JD030 | M6 x 30 mm HEX SOCKET CAP HEAD SCREW | 3 | | | 7 |
| 8 | 15507 | ADAPTOR | 1 | | | 8 |
| 9 | PCC002WC001 | KEY TO FIT 200/300 PUMPS | 1 | | | 9 |
| 10 | FAS008SP080 | M8 X 80 HEX SOCKET REDUCED CAP HEAD SCREW (FULLY THREADED) | 2 | | | 10 |
| 11 | FPA013DC001 | GEAR PUMP ELBOW (INC WITH GEAR PUMP) | 1 | x | | 11 |

NOTE:

- ALL PARTS ARE AVAILABLE TO BE ORDERED AS SPARE PARTS (UNLESS MARKED WITH X)
- ONLY PARTS MARKED WITH ✓ ARE AVAILABLE AS BOTH SPARE PARTS OR SERVICEABLE PARTS, FROM HEP-SK1 PUMP SERVICE KIT. (REFER TO HEP-SK1: PUMP SERVICE KIT EVD FOR FULL PARTS LIST)
- THE ORIENTATION OF ITEM NO. 2 (PMC000TM001) IS DETERMINED BY THE BRAND OF THE GP60 GEAR PUMP SUPPLIED (REFER TO SHEET 2 FOR FURTHER DETAILS)
- ITEM NO. 10 (FAS008SP080) ARE TO REPLACE TWO SCREWS (BLC008KC080) ON THE TYPE300-24, PRIOR TO FITTING PMA060GZ001 (REFER TO SHEET 3 FOR FURTHER DETAILS)
- INDIVIDUAL ITEMS ARE NOT AVAILABLE AS SPARE PARTS FOR HEP PUMPS WITH SERIAL NUMBERS EARLIER THAN **BR9070**. GP60 GEAR PUMP ASSEMBLY (PMA060GZ001) WILL NEED TO BE ORDERED. INDIVIDUAL ITEMS APART FROM ITEM NO. 11 ARE AVAILABLE AS SPARE PARTS FOR HEP PUMPS WITH SERIAL NUMBERS ABOVE **BR9070**

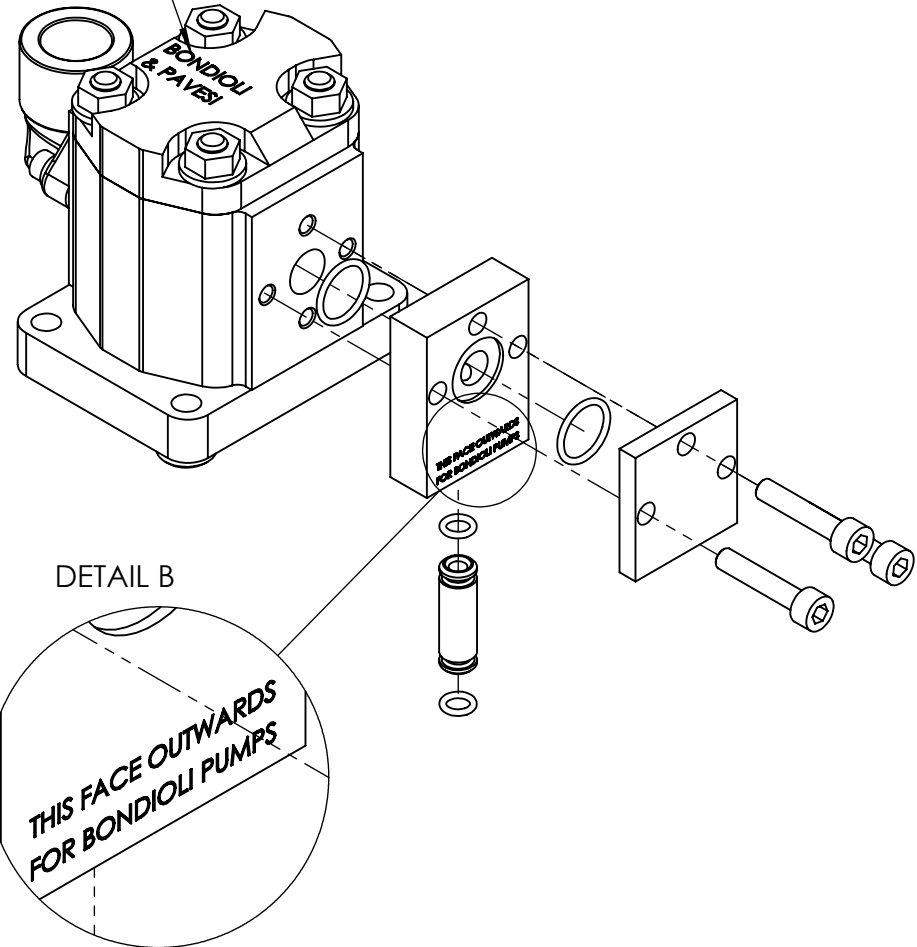
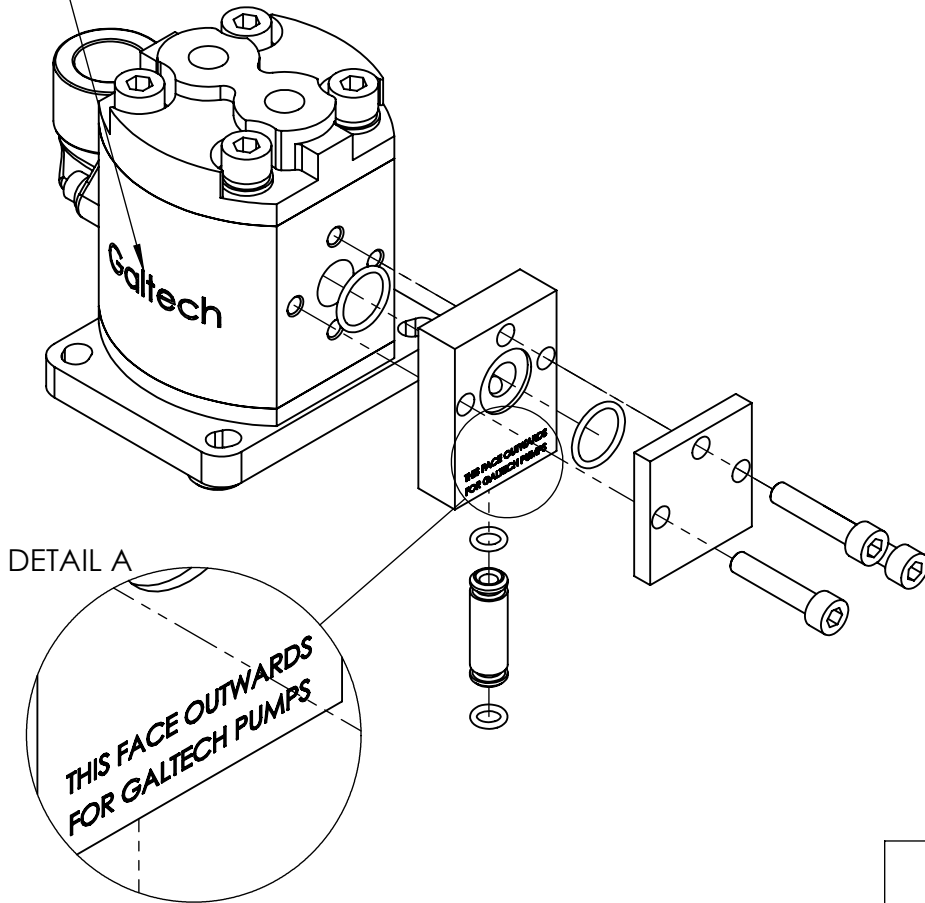
IMPORTANT

WHEN ORDERING SPARES YOU MUST STATE THE FULL PART NUMBER AND THE PRODUCT SERIAL NUMBER - FROM THE LABEL TO PROTECT YOUR WARRANTY ALWAYS USE GENUINE HI-FORCE PARTS.

ORIENTATION OF TRANSFER PLATE

FOR GALTECH GEAR PUMPS, LOOK FOR "GALTECH" USUALLY FOUND ON THE SIDE OF THE BODY

FOR BONDIOLI GEAR PUMPS, LOOK FOR "BONDIOLI & PAVESI" USUALLY FOUND ON THE BOTTOM OF THE BODY



REVISION

| | |
|----|------|
| 1 | 5939 |
| 2 | |
| 3 | |
| 4 | |
| 5 | |
| 6 | |
| 7 | |
| 8 | |
| 9 | |
| 10 | |
| 11 | |
| 12 | |
| 13 | |
| 14 | |
| 15 | |
| 16 | |
| 17 | |
| 18 | |
| 19 | |
| 20 | |

IMPORTANT
WHEN ORDERING SPARES YOU MUST STATE THE FULL PART NUMBER AND THE PRODUCT SERIAL NUMBER - FROM THE LABEL TO PROTECT YOUR WARRANTY ALWAYS USE GENUINE HI-FORCE PARTS.

REVISION

1 5939

2

3

4

5

6

7

8

9

10

11

12

13

14

15

16

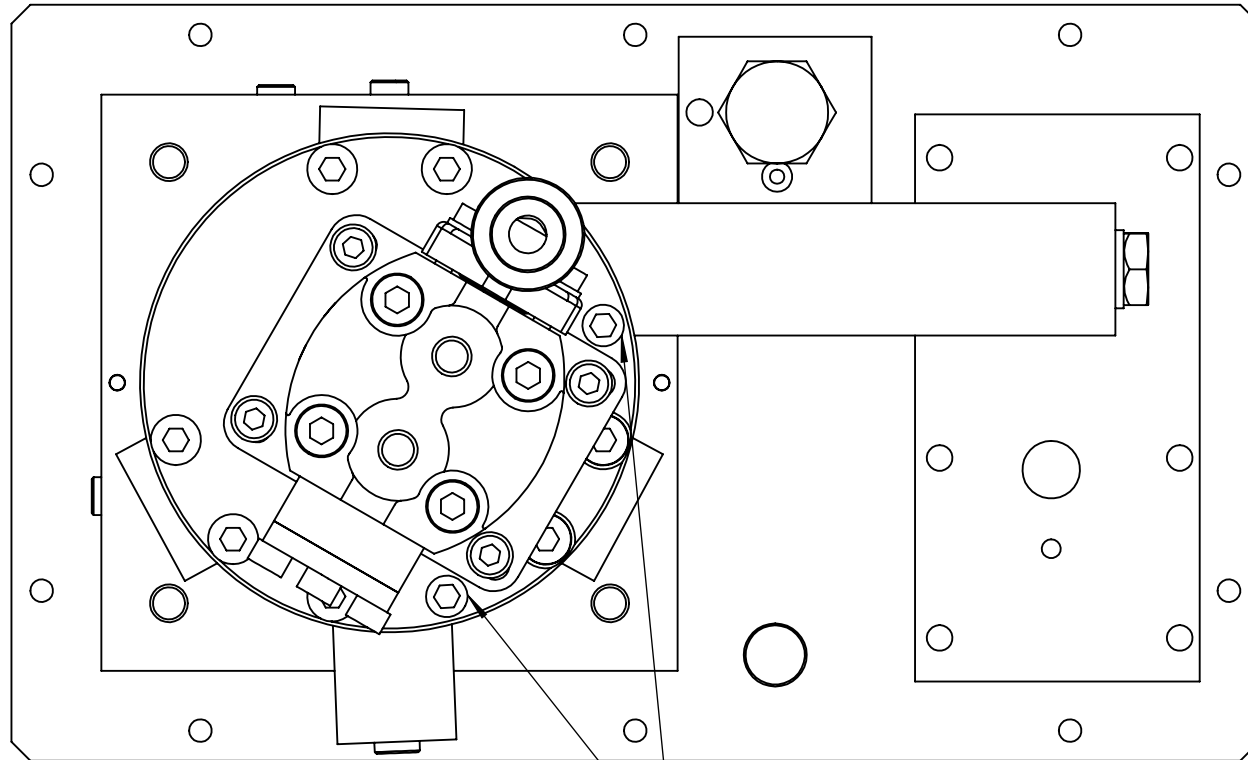
17

18

19

20

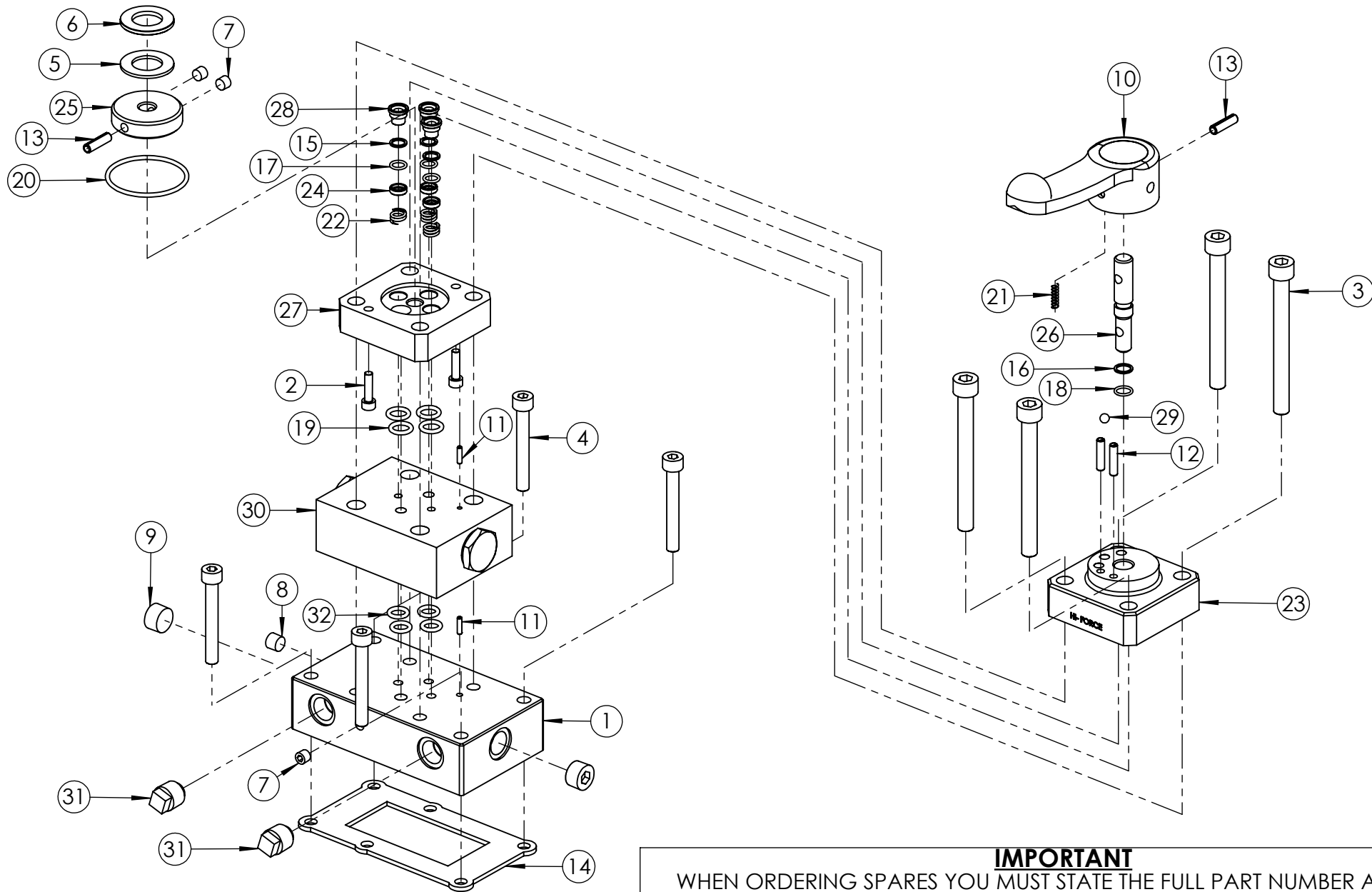
TYPE300-24: BOTTOM VIEW



REMOVE THE TWO CURRENT SCREWS FROM THESE TWO POSITIONS AND REPLACE WITH ITEM NO. 10 (FAS008SP080)

IMPORTANT

WHEN ORDERING SPARES YOU MUST STATE THE FULL PART NUMBER AND THE PRODUCT SERIAL NUMBER - FROM THE LABEL TO PROTECT YOUR WARRANTY ALWAYS USE GENUINE HI-FORCE PARTS.



REVISION

1 5717

2

3

4

5

6

7

8

9

10

11

12

13

14

15

16

17

18

19

20

IMPORTANT

WHEN ORDERING SPARES YOU MUST STATE THE FULL PART NUMBER AND THE
PRODUCT SERIAL NUMBER - FROM THE LABEL
TO PROTECT YOUR WARRANTY ALWAYS USE GENUINE HI-FORCE PARTS.

| ITEM NO. | PART NUMBER | DESCRIPTION | QTY. | SPARE PARTS | SERVICE PARTS |
|----------|-------------|--|------|-------------|---------------|
| 1 | VFC010BF007 | VALVE MOUNTING BLOCK | 1 | | |
| 2 | BLC005HU020 | M5 x 20 mm HEX SOCKET CAP HEAD SCREW | 2 | | |
| 3 | BLC010LC100 | M10 x 100 mm HEX SOCKET CAP HEAD SCREW | 4 | | |
| 4 | BLC008KC060 | M8 x 60 mm HEX SOCKET CAP HEAD SCREW | 4 | | |
| 5 | BSC035NA001 | NEEDLE BEARING | 1 | | |
| 6 | BSC035NA002 | HOUSING WASHER | 1 | | |
| 7 | FPC002PN001 | 1/16" x 7/8" NPT SOCKET PLUG | 3 | | |
| 8 | FPC003PN001 | 1/8" x 3/4" NPT TAPER DRY SEAL PRESS PLUG | 1 | | |
| 9 | FPC010PN002 | 3/8" X 7/8" NPT SOCKET PLUG | 2 | | |
| 10 | HLC012LP002 | HANDLE | 1 | | |
| 11 | PCC003RB006 | Ø3 x 12 mm SELLOCK PIN | 2 | | |
| 12 | PCC005RD002 | Ø5 x 22 mm SPIROL PIN | 2 | | |
| 13 | PCC006RD001 | Ø6 X 22 mm SPIROL PIN | 2 | | |
| 14 | SEC003KT001 | VALVE GASKET | 1 | | ✓ |
| 15 | SEC011BA001 | BACK UP RING | 3 | | ✓ |
| 16 | SEC012BA002 | BACK UP RING | 1 | | ✓ |
| 17 | SEC011RA001 | O-RING - I.D. 8.10 mm, C.S. 1.6 mm, NITRILE 90 | 3 | | ✓ |
| 18 | SEC012RA003 | O-RING - I.D. 9 mm, C.S. 1.50 mm, NITRILE 70 | 1 | | ✓ |
| 19 | SEC016RA002 | O-RING - I.D. 10.77 mm, C.S. 2.62 mm, NITRILE 70 | 4 | | ✓ |
| 20 | SEC049RF001 | O-RING - I.D. 48.90 mm, C.S. 2.62 mm, NITRILE 90 | 1 | | ✓ |
| 21 | SPC005KA001 | SPRING | 1 | | |
| 22 | SPC010CA001 | SPRING | 3 | | |
| 23 | VFC000BD003 | VALVE BODY | 1 | | |
| 24 | VFC000SC001 | SHEAR SEAL COLLAR | 3 | | |
| 25 | VFC000SQ002 | VALVE ROTOR | 1 | | |

| ITEM NO. | PART NUMBER | DESCRIPTION | QTY. | SPARE PARTS | SERVICE PARTS | REVISION |
|----------|---------------|---|------|-------------|---------------|----------|
| 26 | VFC000SR002 | SPINDLE | 1 | | | 1 5717 |
| 27 | VFC000ST001 | SHEAR SEAL PLATE | 1 | | | 2 |
| 28 | VFC000SU001 | SHEAR SEAL | 3 | | | 3 |
| 29 | BAC006SN000 | Ø6 mm STEEL BALL | 1 | | | 4 |
| 30 | V-8245 | DUAL CHECK VALVE | 1 | | | 5 |
| 31 | BPC010SP004 | 3/8 NPT PLASTIC BLANKING PLUG (RED) | 2 | | | 6 |
| 32 | SEC014RA001 | O-RING - I.D. 9.19mm, C.S. 2.62mm, NITRILE 90 | 4 | | ✓ | 7 |
| | | | | | | 8 |
| | | | | | | 9 |
| | | | | | | 10 |
| | | | | | | 11 |
| | | | | | | 12 |
| | | | | | | 13 |
| | | | | | | 14 |
| | | | | | | 15 |
| | | | | | | 16 |
| | | | | | | 17 |
| | | | | | | 18 |
| | | | | | | 19 |
| | | | | | | 20 |

NOTE:

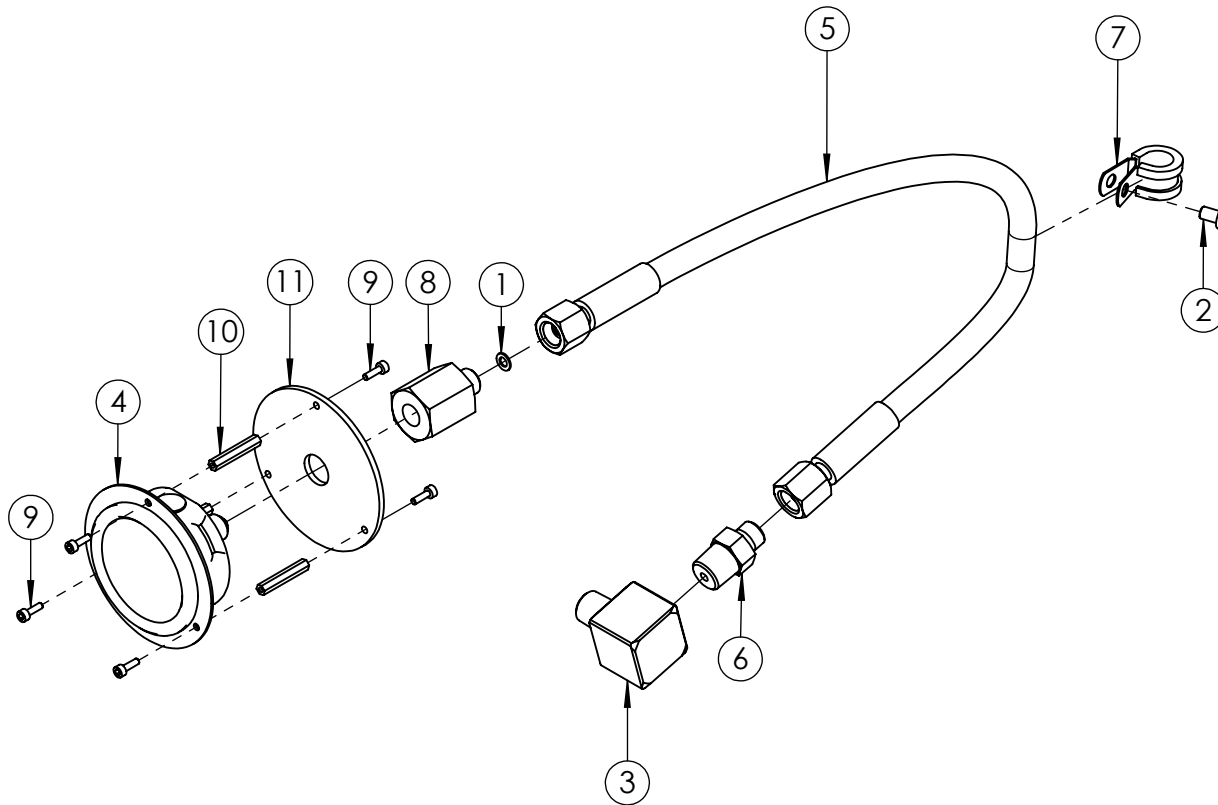
- ALL PARTS ARE AVAILABLE TO BE ORDERED AS SPARE PARTS (UNLESS MARKED WITH **X**).

- ONLY PARTS MARKED WITH **✓** ARE AVAILABLE AS BOTH SPARE PARTS OR SERVICEABLE PARTS, FROM **DCV-M1 : SERVICE KIT (3 & WAY MANUAL VALVES)**. (REFER TO **DCV-M1** EVD FOR FULL PARTS LIST)

- IF ITEM NO. 30 IS ORDERED AS A SPARE PART, THIS ALREADY COMES WITH ITEM NO. 32. THEREFORE THESE ARE NOT REQUIRED TO BE ORDERED SEPERATELY.

IMPORTANT

WHEN ORDERING SPARES YOU MUST STATE THE FULL PART NUMBER AND THE PRODUCT SERIAL NUMBER - FROM THE LABEL TO PROTECT YOUR WARRANTY ALWAYS USE GENUINE HI-FORCE PARTS.



| ITEM NO. | PART NUMBER | DESCRIPTION | QTY. | SPARE PARTS | REVISION |
|----------|-------------|---|------|-------------|----------|
| 1 | WAC005EC001 | M5 X 9 X 1.0 COPPER SEALING WASHER | 1 | | 1 5717 |
| 2 | BLC006JH010 | M6 X 10 mm, HEX SOCKET, BUTTON HEAD SCREW | 1 | | 2 |
| 3 | HF16 | ELBOW, 3/8" NPT FEMALE TO 3/8" NPT MALE | 1 | | 3 |
| 4 | PGB063PF001 | FLANGE MOUNTED 700 Bar PRESSURE GAUGE | 1 | | 4 |
| 5 | HOC006GB001 | 700 Bar GAUGE HOSE WITH 1/4" BSP CONE FEMALE FITTINGS | 1 | | 5 |
| 6 | FPC010BN008 | M/M ADAPTOR 3/8 NPT x 1/4 BSP INT 60° CONE 1000 Bar (STAINLESS STEEL) | 1 | | 6 |
| 7 | ANC013PC001 | 13mm BLACK STAINLESS STEEL P CLIP | 1 | | 7 |
| 8 | FPC006BB002 | 700 Bar SS 1/4" BSPP x BSPP FIXED FEMALE GAUGE ADAPTOR | 1 | | 8 |
| 9 | BLC003ZD010 | M3 X 10 mm HEX SOCKET CAP HEAD SCREW | 6 | | 9 |
| 10 | NUC003UK001 | M3 FEMALE STEEL HEX STANDOFF 30mm LONG | 3 | | 10 |
| 11 | SFC085HA001 | STRAIN RELIEF PLATE | 1 | | 11 |

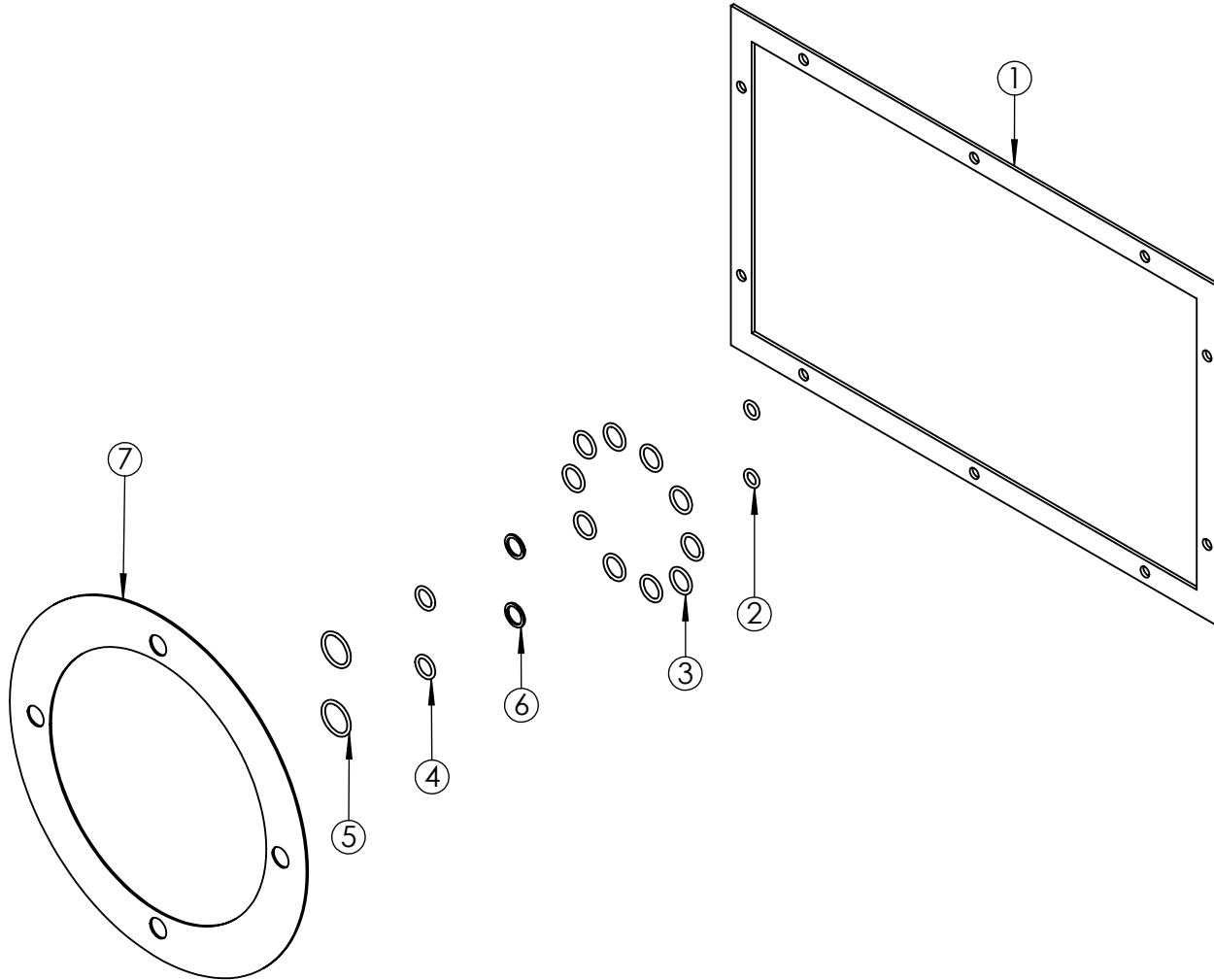
NOTE:

- ALL PARTS ARE AVAILABLE TO BE ORDERED AS SPARE PARTS (UNLESS MARKED WITH X).

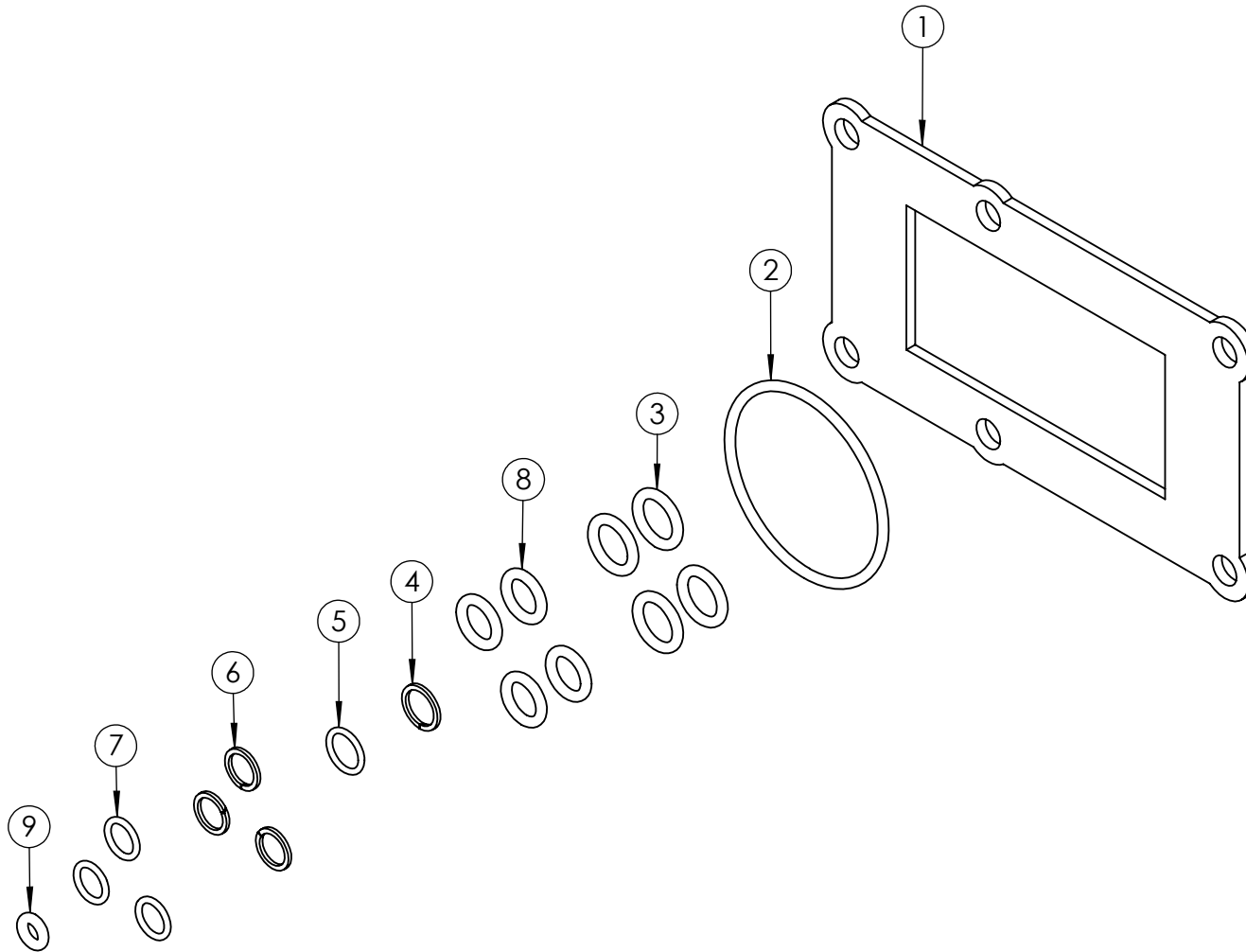
IMPORTANT

WHEN ORDERING SPARES YOU MUST STATE THE FULL PART NUMBER AND THE PRODUCT SERIAL NUMBER - FROM THE LABEL TO PROTECT YOUR WARRANTY ALWAYS USE GENUINE HI-FORCE PARTS.

| ITEM NO. | PART NUMBER | DESCRIPTION | QTY. | REVISION |
|----------|-------------|--|------|----------|
| 1 | 15482 | TANK GASKET | 1 | 1 5717 |
| 2 | SEC010RA001 | O-RING - I.D. 6.35 mm, C.S. 1.78 mm, NITRILE 70 | 2 | 2 5939 |
| 3 | SEC014RF001 | O-RING - I.D. 10.82 mm, C.S. 1.78 mm, NITRILE 90 | 10 | 3 |
| 4 | SEC013RA001 | O-RING - I.D. 9.25mm, C.S. 1.78mm, NITRILE 90 | 2 | 4 |
| 5 | SEC019RF002 | O-RING - I.D. 15.60, C.S. 1.78mm, NITRILE 90 | 2 | 5 |
| 6 | SEC013BA001 | BACK-UP RING - PTFE, SOLID SPLIT | 2 | 6 |
| 7 | SEC001KT003 | GASKET | 1 | 7 |
| | | | | 8 |
| | | | | 9 |
| | | | | 10 |
| | | | | 11 |
| | | | | 12 |
| | | | | 13 |
| | | | | 14 |
| | | | | 15 |
| | | | | 16 |
| | | | | 17 |
| | | | | 18 |
| | | | | 19 |
| | | | | 20 |



IMPORTANT
WHEN ORDERING SPARES YOU MUST STATE THE FULL PART NUMBER AND THE PRODUCT SERIAL NUMBER - FROM THE LABEL TO PROTECT YOUR WARRANTY ALWAYS USE GENUINE HI-FORCE PARTS.



| ITEM NO. | PART NUMBER | DESCRIPTION | QTY. | REVISION |
|----------|-------------|--|------|----------|
| 1 | SEC003KT001 | VALVE GASKET | 1 | 1 5717 |
| 2 | SEC049RF001 | O-RING - I.D. 48.90 mm, C.S. 2.62 mm, NITRILE 90 | 1 | 2 |
| 3 | SEC016RA002 | O-RING - I.D. 10.77 mm, C.S. 2.62 mm, NITRILE 70 | 4 | 3 |
| 4 | SEC012BA002 | BACK UP RING | 1 | 4 |
| 5 | SEC012RA003 | O-RING - I.D. 9 mm, C.S. 1.50 mm, NITRILE 70 | 1 | 5 |
| 6 | SEC011BA001 | BACK UP RING | 3 | 6 |
| 7 | SEC011RA001 | O-RING - I.D. 8.10 mm, C.S. 1.6 mm, NITRILE 90 | 3 | 7 |
| 8 | SEC014RA001 | O-RING - I.D. 9.19mm, C.S. 2.62mm, NITRILE 90 | 4 | 8 |
| 9 | SEC010RF002 | O-RING - I.D. 4.42 mm, C.S. 2.62 mm, NITRILE 70 | 1 | 9 |
| | | | | 10 |
| | | | | 11 |
| | | | | 12 |
| | | | | 13 |
| | | | | 14 |
| | | | | 15 |
| | | | | 16 |
| | | | | 17 |
| | | | | 18 |
| | | | | 19 |
| | | | | 20 |

IMPORTANT

WHEN ORDERING SPARES YOU MUST STATE THE FULL PART NUMBER AND THE PRODUCT SERIAL NUMBER - FROM THE LABEL TO PROTECT YOUR WARRANTY ALWAYS USE GENUINE HI-FORCE PARTS.