

REVISION

1 5817

2 6154

3

4

5

6

7

8

9

10

11

12

13

14

15

16

17

18

19

20

**IMPORTANT**

WHEN ORDERING SPARES YOU MUST STATE THE FULL PART NUMBER AND THE PRODUCT SERIAL NUMBER - FROM THE LABEL TO PROTECT YOUR WARRANTY ALWAYS USE GENUINE HI-FORCE PARTS.

| ITEM NO. | PART NUMBER        | DESCRIPTION  | QTY. | SPARE PARTS | SERVICE PARTS | ITEM NO. | PART NUMBER | DESCRIPTION   | QTY. | SPARE PARTS | SERVICE PARTS | REVISION |
|----------|--------------------|--|------|-------------|---------------|----------|-------------|---|------|-------------|---------------|----------|
| 1        | TAC025AS006        | 25L TANK   | 1    |             |               | 22       | AAN000UP001 | 60 x 30 mm UNIVERSAL NAME PLATE                       | 1    | X           |               | 1 5817   |
| 2        | BLC021YT010        | SIGHT GLASS HGF.13 BLACK OIL LEVEL INDICATOR                                       | 2    |             |               | 23       | FAS002HZ001 | NO.4 x 3/16 HAMMER DRIVE SCREW                        | 2    |             |               | 2 6154   |
| 3        | DCSF00328          | DOUBLE SIDED MAGNET  | 1    |             |               | 24       | TAC000PA001 | 160 mm LONG SUCTION PIPE                              | 1    |             |               | 3        |
| 4        | FPC013PC001        | 1/2" BSP PLUG - HEX SOCKET   | 1    |             |               | 25       | FPC013AC001 | BARREL NIPPLE   | 1    |             |               | 4        |
| 5        | NUC021-B000        | 1/2" BSP LOCK NUT  | 2    |             |               | 26       | FFC045MZ001 | FILTER  | 1    |             |               | 5        |
| 6        | FFC028PZ001        | FILLER/BREATHER  | 1    |             |               | 27       | BLC005HF020 | M5 x 20 mm HEX SOCKET COUNTERSUNK SCREW               | 10   |             |               | 6        |
| 7        | BPC025KP001        | 1" SQ RIBBED INSERT BLACK  | 4    |             |               | 28       | 15482       | TANK GASKET   | 1    |             | ✓             | 7        |
| 8        | TAC025CS003        | 25L ROLL FRAME   | 1    |             |               | 29       | TAC000FS003 | MOUNTING PLATE  | 1    |             |               | 8        |
| 9        | BLC008KD020        | M8 x 20 mm HEX SOCKET CAP HEAD SCREW   | 4    |             |               | 30       | NUC008KC000 | M8 NYLOC NUT  | 4    |             |               | 9        |
| 10       | WAC008AB000        | M8 PLAIN WASHER  | 8    |             |               | 31       | TAC000FS004 | HOUSING   | 1    |             |               | 10       |
| 11       | WAC008BB000        | M8 ZINC PLATED SPRING WASHER   | 4    |             |               | 32       | BLC006JH010 | M6 X 10 mm BUTTON HEAD HEX SOCKET SCREW               | 8    |             |               | 11       |
| 12       | <b>TYPE300-24</b>  | 300 SERIES PUMP UNIT   | 1    |             |               | 33       | WAC006AF000 | M6 ZINC WASHER  | 8    |             |               | 12       |
| 13       | EM415-1.5-4LAF     | AMPE 90L BA 4 - 1.5KW 4 POLE MOTOR   | 1    |             |               | 34       | WAC006BC001 | M6 SPRING ZINC WASHER (SQUARE SECTION)                | 4    |             |               | 13       |
| 14       | SEC001KT003        | GASKET   | 1    |             | ✓             | 35       | ANC015PC001 | CABLE CLIP BLACK SCREW<br>POLYACETAL CABLE CLIP, 15mm | 4    |             |               | 14       |
| 15       | BLC010LB035        | M10 x 35 mm HEX HEAD BOLT, ZINC PLATED   | 4    |             |               | 36       | SEC013EH001 | 12.7mm ID BLACK PVC OPEN GROMMET                      | 1    |             |               | 15       |
| 16       | WAC010AB000        | M10 ZINC PLATED FLAT WASHER  | 4    |             |               | 37       | SEC013EH002 | 12.7mm OD BLACK PVC BLIND GROMMET                     | 2    |             |               | 16       |
| 17       | WAC010BZ000        | M10 SPRING WASHER  | 4    |             |               | *        | SFC065FA002 | BLANKING PLATE  | 1    |             |               | 17       |
| 18       | NUC020LS002        | GLAND 6-12MM   | 1    |             |               |          |             |   |      |             |               | 18       |
| 19       | <b>EMA415UC001</b> | MOTOR STARTER ASSEMBLY   | 1    |             |               |          |             |   |      |             |               | 19       |
| 20       | <b>PMV4L</b>       | 4 WAY, MANUALLY OPERATED, PUMP MOUNTED DIRECTIONAL CONTROL VALVE WITH LOAD HOLDING | 1    |             |               |          |             |   |      |             |               | 20       |
| 21       | <b>PGP063AK001</b> | HEP & HAP PRESSURE GAUGE ASSEMBLY  | 1    |             |               |          |             |   |      |             |               | 21       |

**NOTE:**

- ALL PARTS ARE AVAILABLE TO BE ORDERED AS SPARE PARTS (UNLESS MARKED WITH X).
- ONLY PARTS MARKED WITH ✓ ARE AVAILABLE AS BOTH SPARE PARTS OR SERVICEABLE PARTS, FROM **HEP-SK1 PUMP SERVICE KIT**. (REFER TO HEP-SK1: PUMP SERVICE KIT EVD FOR FULL PARTS LIST)
- FOR SUB ASSEMBLIES (ITEM NO.S 12, 19, 20 & 21) REFER TO THEIR INDIVIDUAL EVD'S.

**IMPORTANT**

WHEN ORDERING SPARES YOU MUST STATE THE FULL PART NUMBER AND THE PRODUCT SERIAL NUMBER - FROM THE LABEL TO PROTECT YOUR WARRANTY ALWAYS USE GENUINE HI-FORCE PARTS.



|  |  |  |  |  |  |  |
|--|--|--|--|--|--|--|
|  |  |  |  |  |  |  |
|  |  |  |  |  |  |  |
|  |  |  |  |  |  |  |
|  |  |  |  |  |  |  |
|  |  |  |  |  |  |  |
|  |  |  |  |  |  |  |
|  |  |  |  |  |  |  |
|  |  |  |  |  |  |  |
|  |  |  |  |  |  |  |
|  |  |  |  |  |  |  |
|  |  |  |  |  |  |  |
|  |  |  |  |  |  |  |
|  |  |  |  |  |  |  |
|  |  |  |  |  |  |  |
|  |  |  |  |  |  |  |
|  |  |  |  |  |  |  |
|  |  |  |  |  |  |  |
|  |  |  |  |  |  |  |
|  |  |  |  |  |  |  |
|  |  |  |  |  |  |  |
|  |  |  |  |  |  |  |
|  |  |  |  |  |  |  |
|  |  |  |  |  |  |  |
|  |  |  |  |  |  |  |
|  |  |  |  |  |  |  |
|  |  |  |  |  |  |  |
|  |  |  |  |  |  |  |
|  |  |  |  |  |  |  |
|  |  |  |  |  |  |  |

|  |  |  |  |  |  |  |
|--|--|--|--|--|--|--|
|  |  |  |  |  |  |  |
|  |  |  |  |  |  |  |
|  |  |  |  |  |  |  |
|  |  |  |  |  |  |  |
|  |  |  |  |  |  |  |
|  |  |  |  |  |  |  |
|  |  |  |  |  |  |  |
|  |  |  |  |  |  |  |
|  |  |  |  |  |  |  |
|  |  |  |  |  |  |  |
|  |  |  |  |  |  |  |
|  |  |  |  |  |  |  |
|  |  |  |  |  |  |  |
|  |  |  |  |  |  |  |
|  |  |  |  |  |  |  |
|  |  |  |  |  |  |  |
|  |  |  |  |  |  |  |
|  |  |  |  |  |  |  |
|  |  |  |  |  |  |  |
|  |  |  |  |  |  |  |
|  |  |  |  |  |  |  |
|  |  |  |  |  |  |  |
|  |  |  |  |  |  |  |



|  |  |
|--|--|
|  |  |
|  |  |
|  |  |
|  |  |
|  |  |
|  |  |
|  |  |
|  |  |
|  |  |
|  |  |
|  |  |
|  |  |
|  |  |
|  |  |
|  |  |
|  |  |
|  |  |
|  |  |
|  |  |
|  |  |
|  |  |
|  |  |

—

\_\_\_\_\_



| ITEM NO. | PART NUMBER | DESCRIPTION                                      | QTY. | SPARE PARTS | SERVICE PARTS | REVISION |
|----------|-------------|--|------|-------------|---------------|----------|
| 1        | 15494       | PISTON BLOCK                                     | 1    | X           |               | 1 5717   |
| 2        | 15495       | PISTON   | 1    | X           |               | 2 5866   |
| 3        | 15496       | VALVE SEAT                                       | 1    | X           |               | 3        |
| 4        | 15509       | SUCTION/DELIVERY SPRING                          | 2    | X           |               | 4        |
| 5        | 15508       | PUMP SPRING                                      | 1    | X           |               | 5        |
| 6        | BAC005SN000 | Ø5 mm STEEL BALL GRADE 100                       | 2    | X           |               | 6        |
| 7        | SEC014RF001 | O-RING - I.D. 10.82 mm, C.S. 1.78 mm, NITRILE 90 | 2    |             | ✓             | 7        |
| 8        | SEC010RA001 | O-RING - I.D. 6.35 mm, C.S. 1.78 mm, NITRILE 70  | 1    | X           |               | 8        |
| 9        | STC008SA001 | N1305-0031 SELF LOCKING RING                     | 1    | X           |               | 9        |
|          |             |  |      |             |               | 10       |
|          |             |  |      |             |               | 11       |
|          |             |  |      |             |               | 12       |
|          |             |  |      |             |               | 13       |
|          |             |  |      |             |               | 14       |
|          |             |  |      |             |               | 15       |
|          |             |  |      |             |               | 16       |
|          |             |  |      |             |               | 17       |
|          |             |  |      |             |               | 18       |
|          |             |  |      |             |               | 19       |
|          |             |  |      |             |               | 20       |

**NOTE:**

- ALL PARTS ARE AVAILABLE TO BE ORDERED AS SPARE PARTS (UNLESS MARKED WITH X).

- ONLY PARTS MARKED WITH ✓ ARE AVAILABLE AS BOTH SPARE PARTS OR SERVICEABLE PARTS, FROM **HEP-SK1 PUMP SERVICE KIT**. (REFER TO HEP-SK1: PUMP SERVICE KIT EVD FOR FULL PARTS LIST).

**IMPORTANT**

WHEN ORDERING SPARES YOU MUST STATE THE FULL PART NUMBER AND THE PRODUCT SERIAL NUMBER - FROM THE LABEL TO PROTECT YOUR WARRANTY ALWAYS USE GENUINE HI-FORCE PARTS.



| ITEM NO. | PART NUMBER | DESCRIPTION  | QTY. | SPARE PARTS | SERVICE PARTS | REVISION |
|----------|-------------|--|------|-------------|---------------|----------|
| 1        | GP60        | GEAR PUMP  | 1    |             |               | 1 5939   |
| 2        | PMC000TM001 | TRANSFER PLATE   | 1    |             |               | 2        |
| 3        | 15510C      | CONNECTOR TUBE   | 1    |             |               | 3        |
| 4        | SEC010RA001 | O-RING - I.D. 6.35 mm, C.S. 1.78 mm, NITRILE 70            | 2    |             | ✓             | 4        |
| 5        | SEC019RF002 | O-RING - I.D. 15.60, C.S. 1.78mm, NITRILE 90               | 2    |             | ✓             | 5        |
| 6        | PMC000XM001 | SEALING PLATE  | 1    |             |               | 6        |
| 7        | BLC006JD030 | M6 x 30 mm HEX SOCKET CAP HEAD SCREW                       | 3    |             |               | 7        |
| 8        | 15507       | ADAPTOR  | 1    |             |               | 8        |
| 9        | PCC002WC001 | KEY TO FIT 200/300 PUMPS                                   | 1    |             |               | 9        |
| 10       | FAS008SP080 | M8 X 80 HEX SOCKET REDUCED CAP HEAD SCREW (FULLY THREADED) | 2    |             |               | 10       |
| 11       | FPA013DC001 | GEAR PUMP ELBOW (INC WITH GEAR PUMP)                       | 1    | x           |               | 11       |

**NOTE:**

- ALL PARTS ARE AVAILABLE TO BE ORDERED AS SPARE PARTS (UNLESS MARKED WITH X)
- ONLY PARTS MARKED WITH ✓ ARE AVAILABLE AS BOTH SPARE PARTS OR SERVICEABLE PARTS, FROM HEP-SK1 PUMP SERVICE KIT. (REFER TO HEP-SK1: PUMP SERVICE KIT EVD FOR FULL PARTS LIST)
- THE ORIENTATION OF ITEM NO. 2 (PMC000TM001) IS DETERMINED BY THE BRAND OF THE GP60 GEAR PUMP SUPPLIED (REFER TO SHEET 2 FOR FURTHER DETAILS)
- ITEM NO. 10 (FAS008SP080) ARE TO REPLACE TWO SCREWS (BLC008KC080) ON THE TYPE300-24, PRIOR TO FITTING PMA060GZ001 (REFER TO SHEET 3 FOR FURTHER DETAILS)
- INDIVIDUAL ITEMS ARE NOT AVAILABLE AS SPARE PARTS FOR HEP PUMPS WITH SERIAL NUMBERS EARLIER THAN **BR9070**. GP60 GEAR PUMP ASSEMBLY (PMA060GZ001) WILL NEED TO BE ORDERED. INDIVIDUAL ITEMS APART FROM ITEM NO. 11 ARE AVAILABLE AS SPARE PARTS FOR HEP PUMPS WITH SERIAL NUMBERS ABOVE **BR9070**

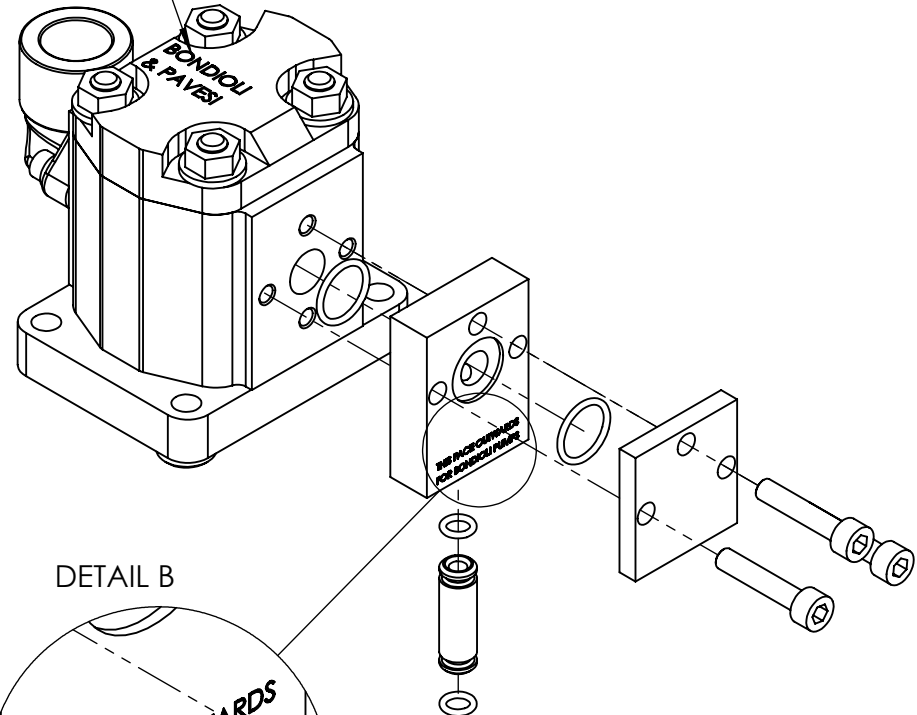
**IMPORTANT**

WHEN ORDERING SPARES YOU MUST STATE THE FULL PART NUMBER AND THE PRODUCT SERIAL NUMBER - FROM THE LABEL TO PROTECT YOUR WARRANTY ALWAYS USE GENUINE HI-FORCE PARTS.

**ORIENTATION OF TRANSFER PLATE**

FOR GALTECH GEAR PUMPS, LOOK FOR "GALTECH" USUALLY FOUND ON THE SIDE OF THE BODY

FOR BONDIOLI GEAR PUMPS, LOOK FOR "BONDIOLI & PAVESI" USUALLY FOUND ON THE BOTTOM OF THE BODY



REVISION

|    |      |
|----|------|
| 1  | 5939 |
| 2  |      |
| 3  |      |
| 4  |      |
| 5  |      |
| 6  |      |
| 7  |      |
| 8  |      |
| 9  |      |
| 10 |      |
| 11 |      |
| 12 |      |
| 13 |      |
| 14 |      |
| 15 |      |
| 16 |      |
| 17 |      |
| 18 |      |
| 19 |      |
| 20 |      |

**IMPORTANT**  
WHEN ORDERING SPARES YOU MUST STATE THE FULL PART NUMBER AND THE PRODUCT SERIAL NUMBER - FROM THE LABEL TO PROTECT YOUR WARRANTY ALWAYS USE GENUINE HI-FORCE PARTS.

REVISION

|    |      |
|----|------|
| 1  | 5939 |
| 2  |      |
| 3  |      |
| 4  |      |
| 5  |      |
| 6  |      |
| 7  |      |
| 8  |      |
| 9  |      |
| 10 |      |
| 11 |      |
| 12 |      |
| 13 |      |
| 14 |      |
| 15 |      |
| 16 |      |
| 17 |      |
| 18 |      |
| 19 |      |
| 20 |      |

**TYPE300-24: BOTTOM VIEW**

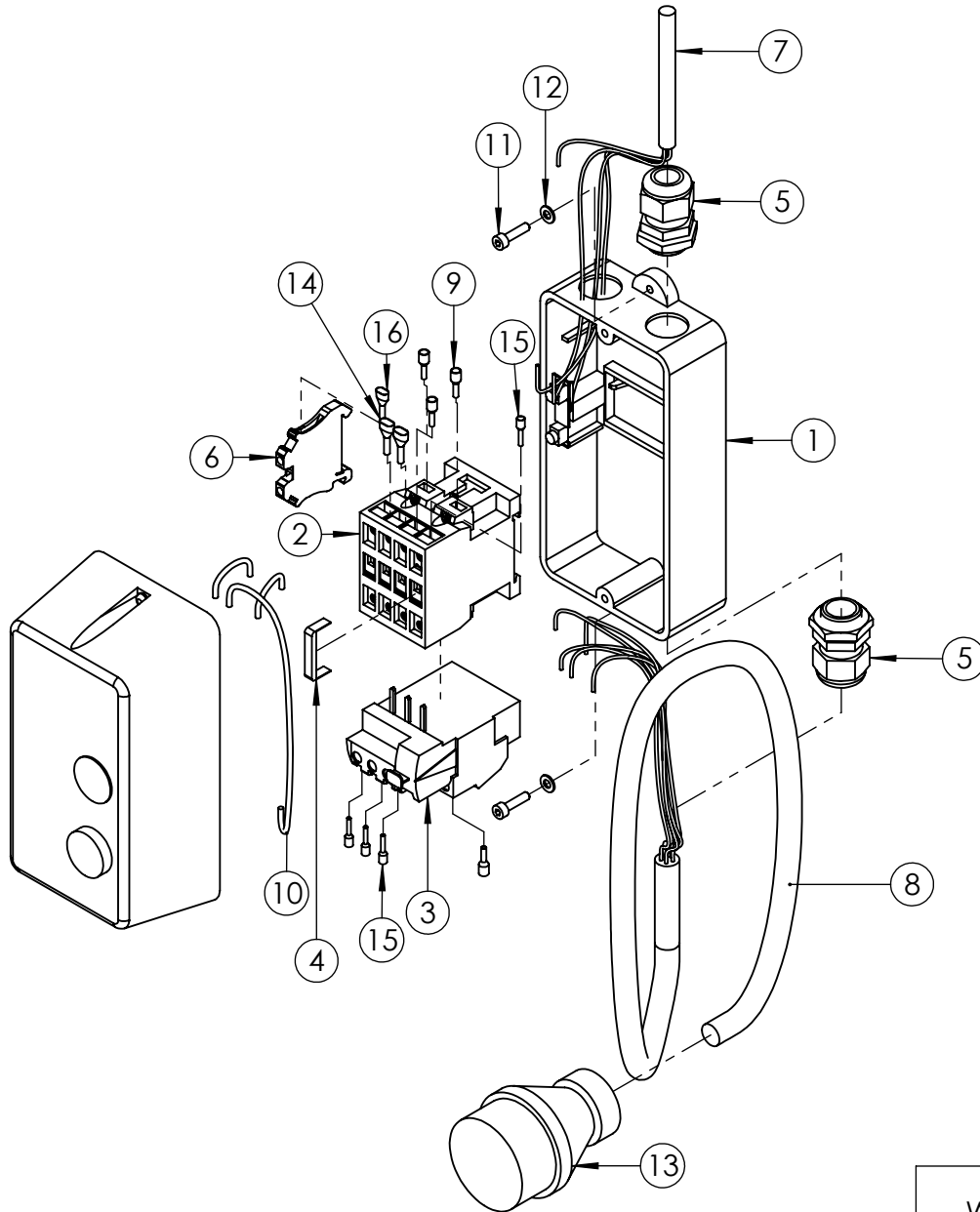


REMOVE THE TWO CURRENT SCREWS FROM THESE TWO POSITIONS AND REPLACE WITH ITEM NO. 10 (FAS008SP080)

**IMPORTANT**

WHEN ORDERING SPARES YOU MUST STATE THE FULL PART NUMBER AND THE PRODUCT SERIAL NUMBER - FROM THE LABEL TO PROTECT YOUR WARRANTY ALWAYS USE GENUINE HI-FORCE PARTS.





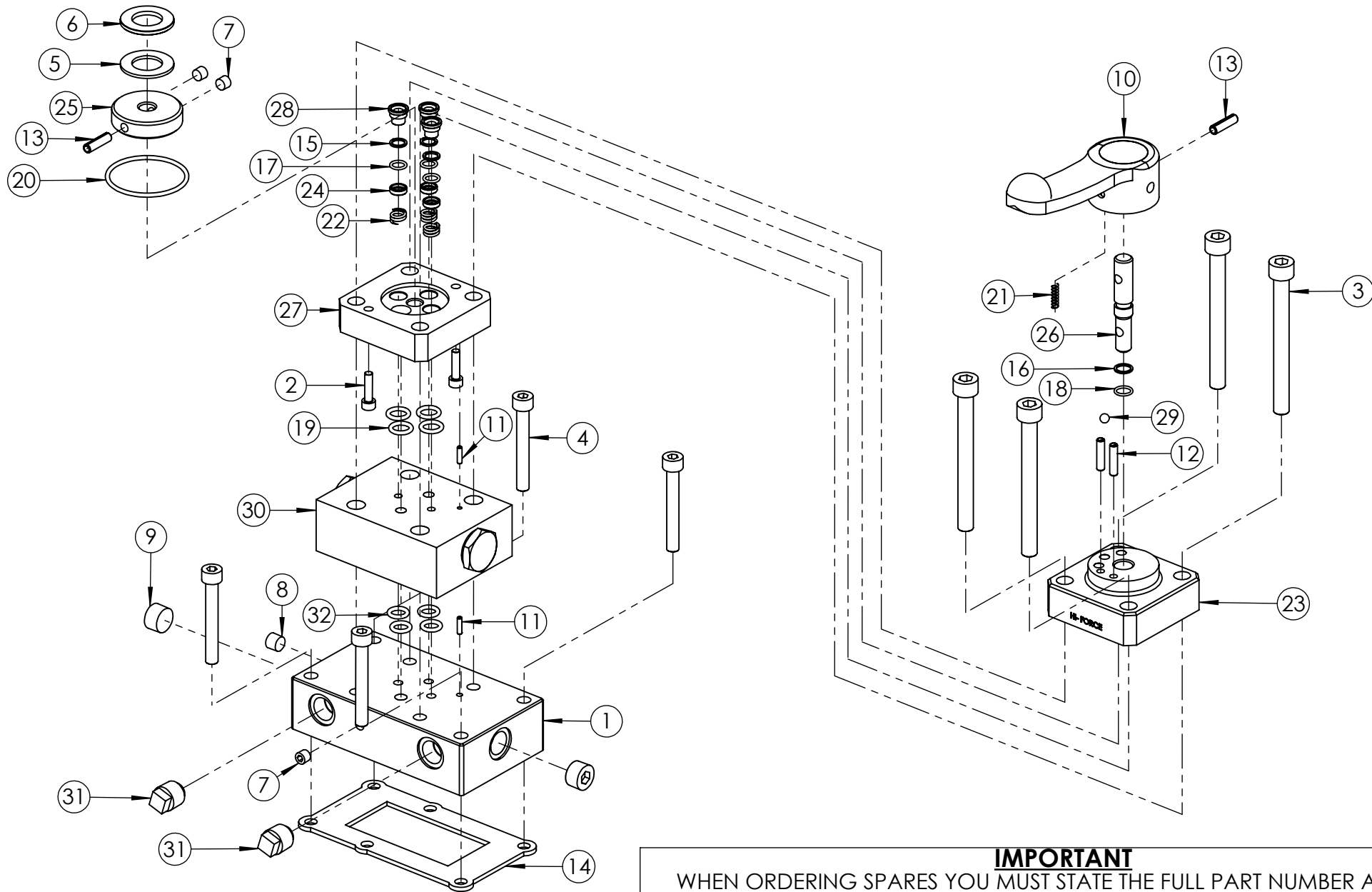
| ITEM NO. | PART NUMBER | DESCRIPTION  | QTY. | SPARE PARTS | REVISION |
|----------|-------------|--|------|-------------|----------|
| 1        | EMC000EF001 | ENCLOSURE WITH PUSH BUTTONS P1MT                                       | 1    |             | 1 5717   |
| 2        | EMC415KE001 | CONTACTOR 415 V  | 1    |             | 2        |
| 3        | EMC415RC001 | OVERLOAD RELAY 2.7-4.0 AMPS  | 1    |             | 3        |
| 4        | EMC110XF001 | BRIDGING BAR   | 1    |             | 4        |
| 5        | NUC020LS002 | GLAND 6-12MM   | 2    |             | 5        |
| 6        | EMC000NZ001 | TERMINAL BLOCK   | 1    |             | 6        |
| 7        | CEC150DC000 | 4 CORE CABLE 1.5 mm <sup>2</sup> H07RN-F 4G1.5                         | 1    |             | 7        |
| 8        | CEC150EC001 | 5 CORE CABLE 1.5 mm <sup>2</sup> H07RN-F 5G1.5                         | 1    |             | 8        |
| 9        | CEC250SX001 | BOOTLACE FERRULE (INSULATED) 2.5mm GREY                                | 4    |             | 9        |
| 10       | CEC250AC000 | SINGLE CORE TRI-RATED CABLE 2.5mm <sup>2</sup> BLACK H05V2-K / H07V2-K | 1    |             | 10       |
| 11       | BLC004JD016 | M4 x 16 mm HEX SOCKET CAP HEAD SCREW                                   | 2    |             | 11       |
| 12       | WAC004YB000 | M4 WASHER ST   | 2    |             | 12       |
| 13       | MCC415EP002 | 415V, 32A ELECTRICAL PLUG  | 1    |             | 13       |
| 14       | CEC250SX002 | TWIN BOOTLACE FERRULE 2.5 mm <sup>2</sup>                              | 2    |             | 14       |
| 15       | CEC150SX001 | BOOTLACE FERRULE (INSULATED) 1.5mm                                     | 4    |             | 15       |
| 16       | CEC150SX002 | TWIN BOOTLACE FERRULE 1.5 mm <sup>2</sup>                              | 1    |             | 16       |

**NOTE:**

- ALL PARTS ARE AVAILABLE TO BE ORDERED AS SPARE PARTS (UNLESS MARKED WITH **X**).

**IMPORTANT**

WHEN ORDERING SPARES YOU MUST STATE THE FULL PART NUMBER AND THE PRODUCT SERIAL NUMBER - FROM THE LABEL TO PROTECT YOUR WARRANTY ALWAYS USE GENUINE HI-FORCE PARTS.



REVISION

1 5717

2

3

4

5

6

7

8

9

10

11

12

13

14

15

16

17

18

19

20

**IMPORTANT**

WHEN ORDERING SPARES YOU MUST STATE THE FULL PART NUMBER AND THE  
PRODUCT SERIAL NUMBER - FROM THE LABEL  
TO PROTECT YOUR WARRANTY ALWAYS USE GENUINE HI-FORCE PARTS.

| ITEM NO. | PART NUMBER | DESCRIPTION                                      | QTY. | SPARE PARTS | SERVICE PARTS |
|----------|-------------|--|------|-------------|---------------|
| 1        | VFC010BF007 | VALVE MOUNTING BLOCK                             | 1    |             |               |
| 2        | BLC005HU020 | M5 x 20 mm HEX SOCKET CAP HEAD SCREW             | 2    |             |               |
| 3        | BLC010LC100 | M10 x 100 mm HEX SOCKET CAP HEAD SCREW           | 4    |             |               |
| 4        | BLC008KC060 | M8 x 60 mm HEX SOCKET CAP HEAD SCREW             | 4    |             |               |
| 5        | BSC035NA001 | NEEDLE BEARING                                   | 1    |             |               |
| 6        | BSC035NA002 | HOUSING WASHER                                   | 1    |             |               |
| 7        | FPC002PN001 | 1/16" x 7/8" NPT SOCKET PLUG                     | 3    |             |               |
| 8        | FPC003PN001 | 1/8" x 3/4" NPT TAPER DRY SEAL PRESS PLUG        | 1    |             |               |
| 9        | FPC010PN002 | 3/8" X 7/8" NPT SOCKET PLUG                      | 2    |             |               |
| 10       | HLC012LP002 | HANDLE   | 1    |             |               |
| 11       | PCC003RB006 | Ø3 x 12 mm SELLOCK PIN                           | 2    |             |               |
| 12       | PCC005RD002 | Ø5 x 22 mm SPIROL PIN                            | 2    |             |               |
| 13       | PCC006RD001 | Ø6 X 22 mm SPIROL PIN                            | 2    |             |               |
| 14       | SEC003KT001 | VALVE GASKET                                     | 1    |             | ✓             |
| 15       | SEC011BA001 | BACK UP RING                                     | 3    |             | ✓             |
| 16       | SEC012BA002 | BACK UP RING                                     | 1    |             | ✓             |
| 17       | SEC011RA001 | O-RING - I.D. 8.10 mm, C.S. 1.6 mm, NITRILE 90   | 3    |             | ✓             |
| 18       | SEC012RA003 | O-RING - I.D. 9 mm, C.S. 1.50 mm, NITRILE 70     | 1    |             | ✓             |
| 19       | SEC016RA002 | O-RING - I.D. 10.77 mm, C.S. 2.62 mm, NITRILE 70 | 4    |             | ✓             |
| 20       | SEC049RF001 | O-RING - I.D. 48.90 mm, C.S. 2.62 mm, NITRILE 90 | 1    |             | ✓             |
| 21       | SPC005KA001 | SPRING   | 1    |             |               |
| 22       | SPC010CA001 | SPRING   | 3    |             |               |
| 23       | VFC000BD003 | VALVE BODY                                       | 1    |             |               |
| 24       | VFC000SC001 | SHEAR SEAL COLLAR                                | 3    |             |               |
| 25       | VFC000SQ002 | VALVE ROTOR                                      | 1    |             |               |

| ITEM NO. | PART NUMBER   | DESCRIPTION                                   | QTY. | SPARE PARTS | SERVICE PARTS | REVISION |
|----------|---------------|---|------|-------------|---------------|----------|
| 26       | VFC000SR002   | SPINDLE                                       | 1    |             |               | 1 5717   |
| 27       | VFC000ST001   | SHEAR SEAL PLATE                              | 1    |             |               | 2        |
| 28       | VFC000SU001   | SHEAR SEAL                                    | 3    |             |               | 3        |
| 29       | BAC006SN000   | Ø6 mm STEEL BALL                              | 1    |             |               | 4        |
| 30       | <b>V-8245</b> | DUAL CHECK VALVE                              | 1    |             |               | 5        |
| 31       | BPC010SP004   | 3/8 NPT PLASTIC BLANKING PLUG (RED)           | 2    |             |               | 6        |
| 32       | SEC014RA001   | O-RING - I.D. 9.19mm, C.S. 2.62mm, NITRILE 90 | 4    |             | ✓             | 7        |
|          |               |   |      |             |               | 8        |
|          |               |   |      |             |               | 9        |
|          |               |   |      |             |               | 10       |
|          |               |   |      |             |               | 11       |
|          |               |   |      |             |               | 12       |
|          |               |   |      |             |               | 13       |
|          |               |   |      |             |               | 14       |
|          |               |   |      |             |               | 15       |
|          |               |   |      |             |               | 16       |
|          |               |   |      |             |               | 17       |
|          |               |   |      |             |               | 18       |
|          |               |   |      |             |               | 19       |
|          |               |   |      |             |               | 20       |

**NOTE:**

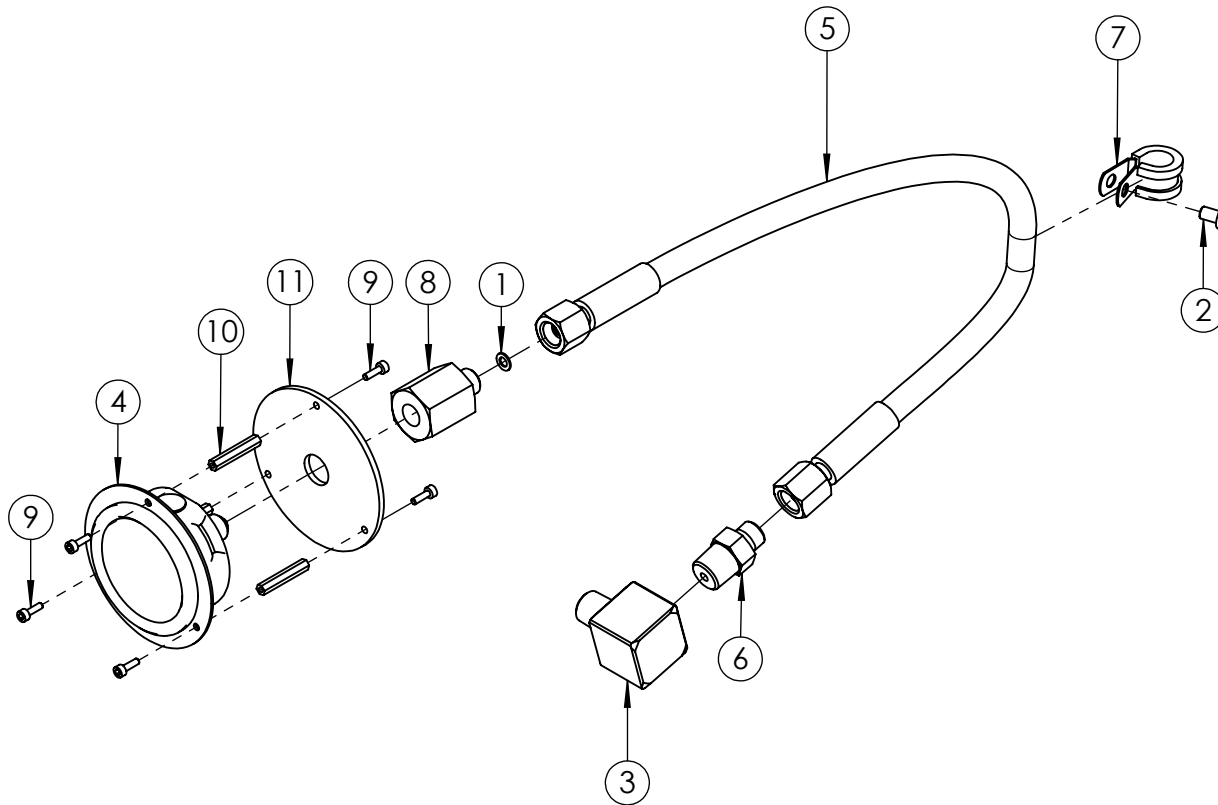
- ALL PARTS ARE AVAILABLE TO BE ORDERED AS SPARE PARTS (UNLESS MARKED WITH **X**).

- ONLY PARTS MARKED WITH **✓** ARE AVAILABLE AS BOTH SPARE PARTS OR SERVICEABLE PARTS, FROM **DCV-M1 : SERVICE KIT (3 & WAY MANUAL VALVES)**. (REFER TO **DCV-M1** EVD FOR FULL PARTS LIST)

- IF ITEM NO. 30 IS ORDERED AS A SPARE PART, THIS ALREADY COMES WITH ITEM NO. 32. THEREFORE THESE ARE NOT REQUIRED TO BE ORDERED SEPERATELY.

**IMPORTANT**

WHEN ORDERING SPARES YOU MUST STATE THE FULL PART NUMBER AND THE PRODUCT SERIAL NUMBER - FROM THE LABEL TO PROTECT YOUR WARRANTY ALWAYS USE GENUINE HI-FORCE PARTS.



| ITEM NO. | PART NUMBER | DESCRIPTION   | QTY. | SPARE PARTS | REVISION |
|----------|-------------|---|------|-------------|----------|
| 1        | WAC005EC001 | M5 X 9 X 1.0 COPPER SEALING WASHER                                    | 1    |             | 1 5717   |
| 2        | BLC006JH010 | M6 X 10 mm, HEX SOCKET, BUTTON HEAD SCREW                             | 1    |             | 2        |
| 3        | HF16        | ELBOW, 3/8" NPT FEMALE TO 3/8" NPT MALE                               | 1    |             | 3        |
| 4        | PGB063PF001 | FLANGE MOUNTED 700 Bar PRESSURE GAUGE                                 | 1    |             | 4        |
| 5        | HOC006GB001 | 700 Bar GAUGE HOSE WITH 1/4" BSP CONE FEMALE FITTINGS                 | 1    |             | 5        |
| 6        | FPC010BN008 | M/M ADAPTOR 3/8 NPT x 1/4 BSP INT 60° CONE 1000 Bar (STAINLESS STEEL) | 1    |             | 6        |
| 7        | ANC013PC001 | 13mm BLACK STAINLESS STEEL P CLIP                                     | 1    |             | 7        |
| 8        | FPC006BB002 | 700 Bar SS 1/4" BSPP x BSPP FIXED FEMALE GAUGE ADAPTOR                | 1    |             | 8        |
| 9        | BLC003ZD010 | M3 X 10 mm HEX SOCKET CAP HEAD SCREW                                  | 6    |             | 9        |
| 10       | NUC003UK001 | M3 FEMALE STEEL HEX STANDOFF 30mm LONG                                | 3    |             | 10       |
| 11       | SFC085HA001 | STRAIN RELIEF PLATE   | 1    |             | 11       |

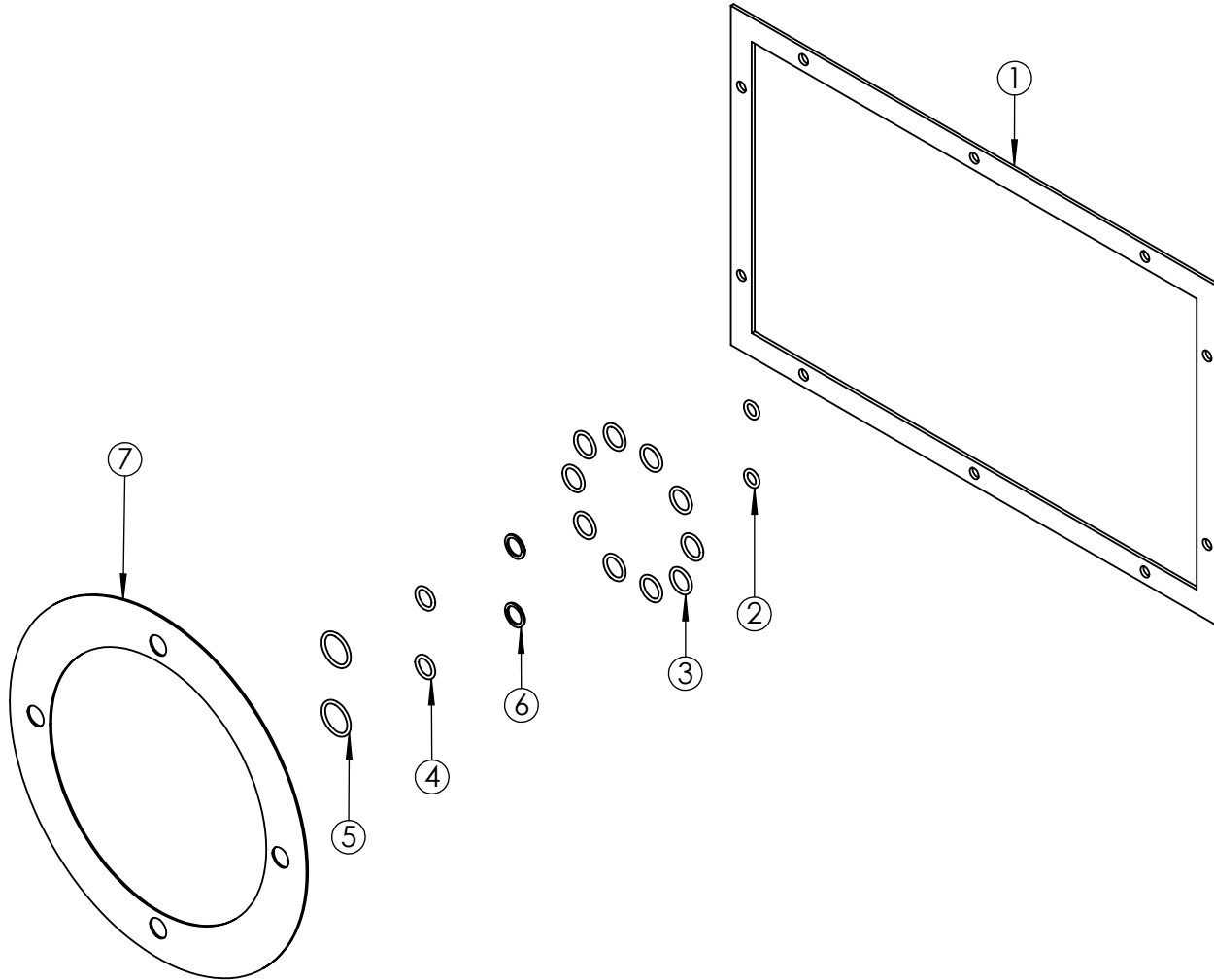
**NOTE:**

- ALL PARTS ARE AVAILABLE TO BE ORDERED AS SPARE PARTS (UNLESS MARKED WITH X).

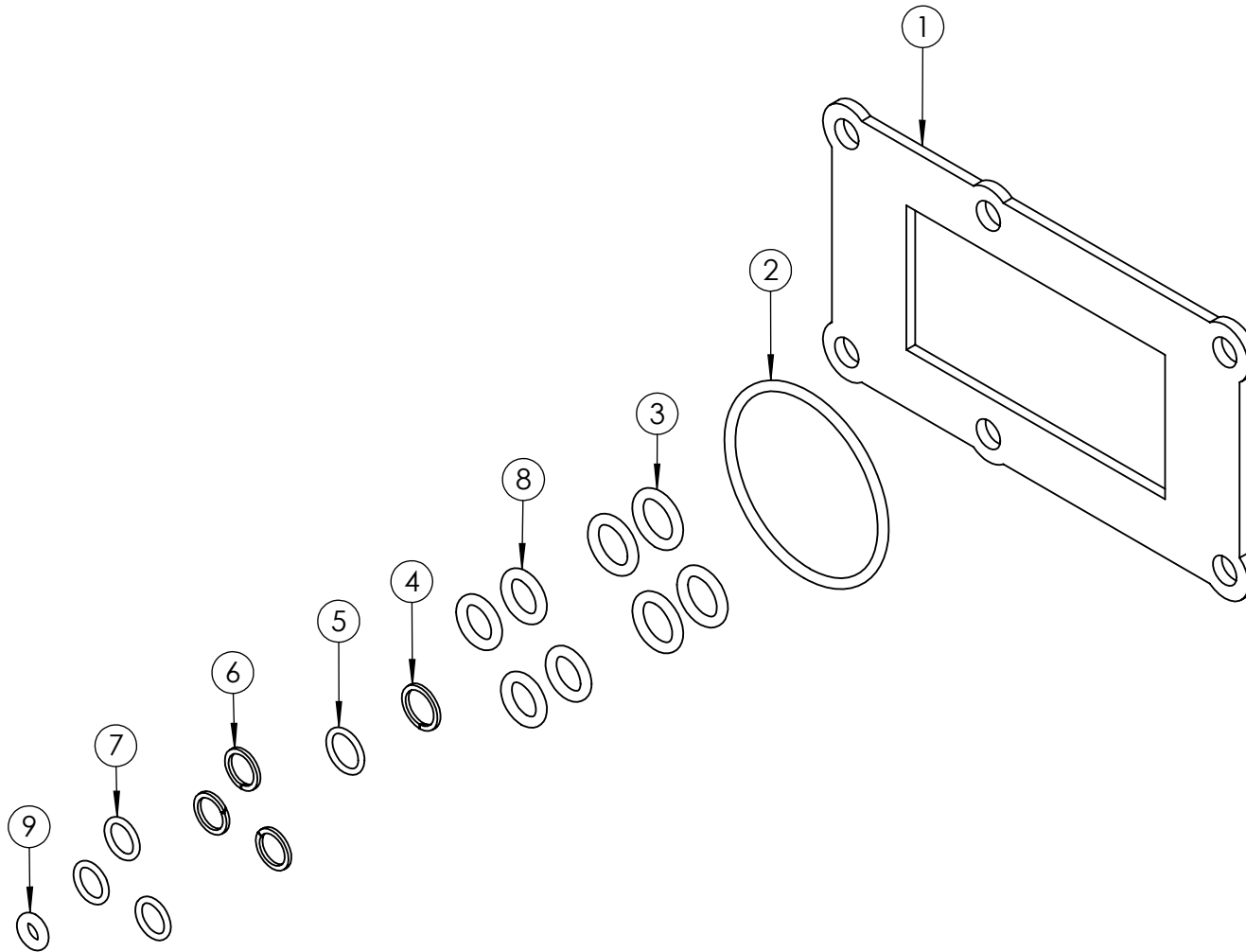
**IMPORTANT**

WHEN ORDERING SPARES YOU MUST STATE THE FULL PART NUMBER AND THE PRODUCT SERIAL NUMBER - FROM THE LABEL TO PROTECT YOUR WARRANTY ALWAYS USE GENUINE HI-FORCE PARTS.

| ITEM NO. | PART NUMBER | DESCRIPTION                                      | QTY. | REVISION |
|----------|-------------|--|------|----------|
| 1        | 15482       | TANK GASKET                                      | 1    | 1 5717   |
| 2        | SEC010RA001 | O-RING - I.D. 6.35 mm, C.S. 1.78 mm, NITRILE 70  | 2    | 2 5939   |
| 3        | SEC014RF001 | O-RING - I.D. 10.82 mm, C.S. 1.78 mm, NITRILE 90 | 10   | 3        |
| 4        | SEC013RA001 | O-RING - I.D. 9.25mm, C.S. 1.78mm, NITRILE 90    | 2    | 4        |
| 5        | SEC019RF002 | O-RING - I.D. 15.60, C.S. 1.78mm, NITRILE 90     | 2    | 5        |
| 6        | SEC013BA001 | BACK-UP RING - PTFE, SOLID SPLIT                 | 2    | 6        |
| 7        | SEC001KT003 | GASKET   | 1    | 7        |
|          |             |  |      | 8        |
|          |             |  |      | 9        |
|          |             |  |      | 10       |
|          |             |  |      | 11       |
|          |             |  |      | 12       |
|          |             |  |      | 13       |
|          |             |  |      | 14       |
|          |             |  |      | 15       |
|          |             |  |      | 16       |
|          |             |  |      | 17       |
|          |             |  |      | 18       |
|          |             |  |      | 19       |
|          |             |  |      | 20       |



**IMPORTANT**  
WHEN ORDERING SPARES YOU MUST STATE THE FULL PART NUMBER AND THE PRODUCT SERIAL NUMBER - FROM THE LABEL TO PROTECT YOUR WARRANTY ALWAYS USE GENUINE HI-FORCE PARTS.



| ITEM NO. | PART NUMBER | DESCRIPTION                                      | QTY. | REVISION |
|----------|-------------|--|------|----------|
| 1        | SEC003KT001 | VALVE GASKET                                     | 1    | 1 5717   |
| 2        | SEC049RF001 | O-RING - I.D. 48.90 mm, C.S. 2.62 mm, NITRILE 90 | 1    | 2        |
| 3        | SEC016RA002 | O-RING - I.D. 10.77 mm, C.S. 2.62 mm, NITRILE 70 | 4    | 3        |
| 4        | SEC012BA002 | BACK UP RING                                     | 1    | 4        |
| 5        | SEC012RA003 | O-RING - I.D. 9 mm, C.S. 1.50 mm, NITRILE 70     | 1    | 5        |
| 6        | SEC011BA001 | BACK UP RING                                     | 3    | 6        |
| 7        | SEC011RA001 | O-RING - I.D. 8.10 mm, C.S. 1.6 mm, NITRILE 90   | 3    | 7        |
| 8        | SEC014RA001 | O-RING - I.D. 9.19mm, C.S. 2.62mm, NITRILE 90    | 4    | 8        |
| 9        | SEC010RF002 | O-RING - I.D. 4.42 mm, C.S. 2.62 mm, NITRILE 70  | 1    | 9        |
|          |             |  |      | 10       |
|          |             |  |      | 11       |
|          |             |  |      | 12       |
|          |             |  |      | 13       |
|          |             |  |      | 14       |
|          |             |  |      | 15       |
|          |             |  |      | 16       |
|          |             |  |      | 17       |
|          |             |  |      | 18       |
|          |             |  |      | 19       |
|          |             |  |      | 20       |

**IMPORTANT**

WHEN ORDERING SPARES YOU MUST STATE THE FULL PART NUMBER AND THE PRODUCT SERIAL NUMBER - FROM THE LABEL TO PROTECT YOUR WARRANTY ALWAYS USE GENUINE HI-FORCE PARTS.