

REVISION

1	5908
2	
3	
4	
5	
6	
7	
8	
9	
10	
11	
12	
13	
14	
15	
16	
17	
18	
19	
20	

**IMPORTANT**  
WHEN ORDERING SPARES YOU MUST STATE THE FULL PART NUMBER AND THE PRODUCT SERIAL NUMBER - FROM THE LABEL TO PROTECT YOUR WARRANTY ALWAYS USE GENUINE HI-FORCE PARTS.

ITEM NO.	PART NUMBER	DESCRIPTION	QTY.	SPARE PARTS	SERVICE PARTS
1	TAC060AS002	60L TANK	1		
2	<b>TYPE300-24</b>	300 SERIES PUMP UNIT	1		
3	<b>EMA230UE001</b>	MOTOR STARTER ASSEMBLY 230V	1		
4	<b>PM1</b>	PORT PLATE (15777)	1		
5	DCSF00328	DOUBLE SIDED MAGNET	1		
6	BLC021YT010	SIGHT GLASS HGF.13 BLACK OIL LEVEL INDICATOR	2		
7	FFC028PZ001	FILLER/BREATHER	1		
8	FPC013PC001	1/2" BSP PLUG - HEX SOCKET	1		
9	NUC021-B000	1/2" BSP LOCK NUT	2		
10	TAC000FS002	MODULAR ELECTRIC TRAY	1		
11	WAC008AB000	M8 PLAIN WASHER	4		
12	NUC008KC000	M8 NYLOC NUT	4		
13	EM230-1.5-4LAF	ELECTRIC MOTOR 1.5KW 230VAC	1		
14	SEC001KT003	GASKET	1		✓
15	BLC010LB035	M10 x 35 mm HEX HEAD BOLT, ZINC PLATED	4		
16	WAC010AB000	M10 ZINC PLATED FLAT WASHER	4		
17	WAC010BZ000	M10 SPRING WASHER	4		
18	NUC020LS002	GLAND 6-12MM	1		
19	AAN000UP001	60 x 30 mm UNIVERSAL NAME PLATE	1	x	
20	FAS002HZ001	NO.4 x 3/16 HAMMER DRIVE SCREW	2		
21	TAC000PA001	160 mm LONG SUCTION PIPE	1		
22	FPC013AC002	FEED PIPE	1		
23	FFC045MZ001	FILTER	1		
24	BLC005HF020	M5 x 20 mm HEX SOCKET COUNTERSUNK SCREW	10		
25	15482	TANK GASKET	1		✓
*	SFC065FA002	BLANKING PLATE	1		

REVISION

1 5908

2

3

4

5

6

7

8

9

10

11

12

13

14

15

16

17

18

19

20

**NOTE:**

- ALL PARTS ARE AVAILABLE TO BE ORDERED AS SPARE PARTS (UNLESS MARKED WITH **x**).

- ONLY PARTS MARKED WITH ✓ ARE AVAILABLE AS BOTH SPARE PARTS OR SERVICEABLE PARTS, FROM **HEP-SK1 PUMP SERVICE KIT**. (REFER TO HEP-SK1: PUMP SERVICE KIT EVD FOR FULL PARTS LIST)

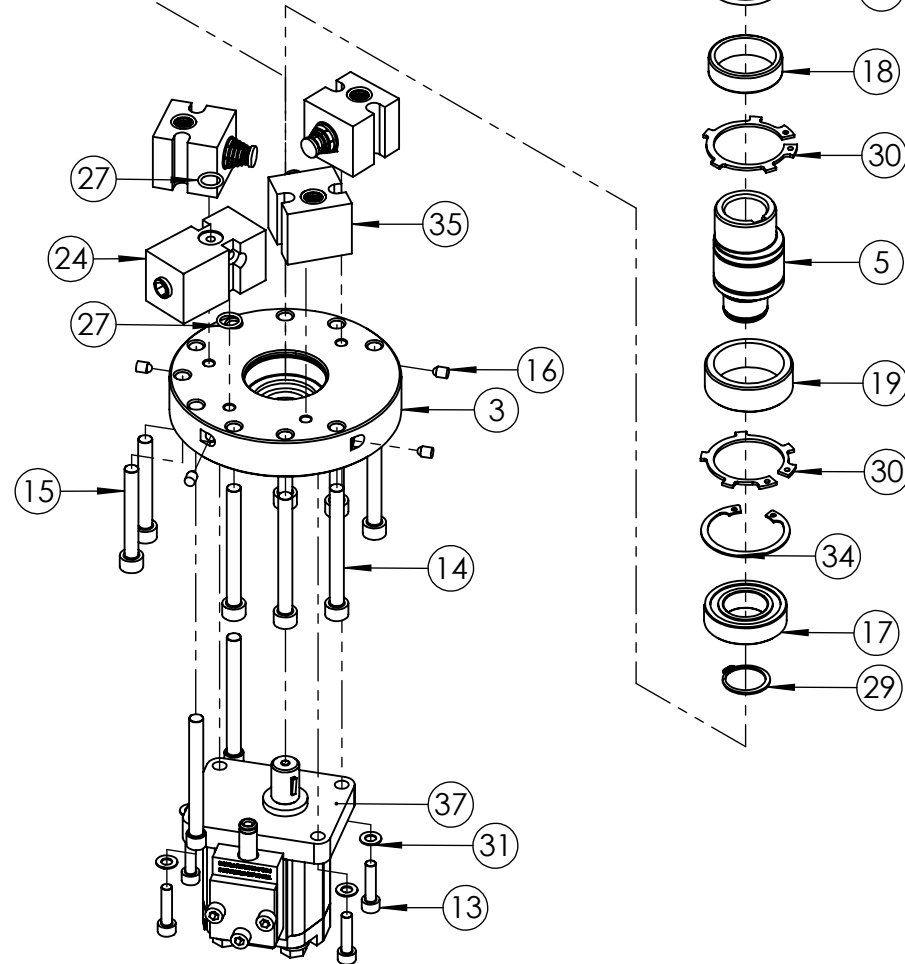
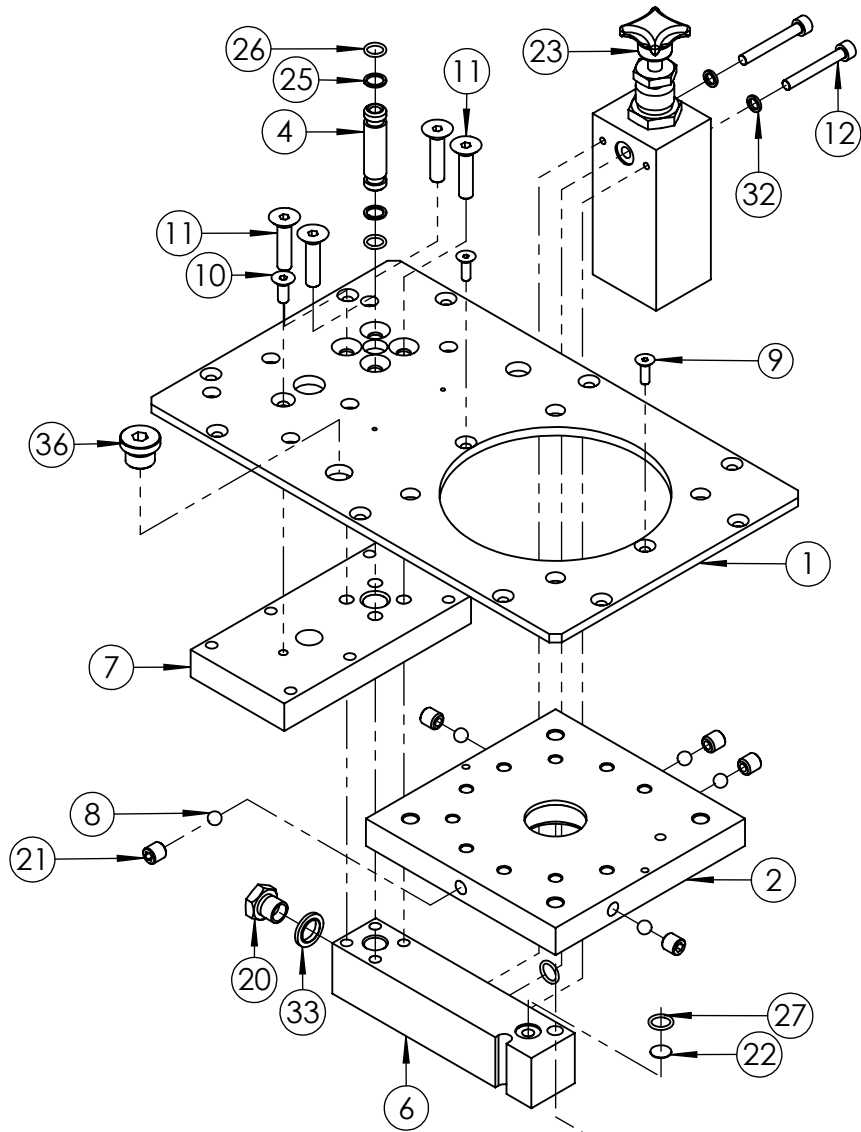
- FOR SUB ASSEMBLIES (ITEM NO.S 2, 3 & 4) REFER TO THEIR INDIVIDUAL EVD's.

**IMPORTANT**

WHEN ORDERING SPARES YOU MUST STATE THE FULL PART NUMBER AND THE PRODUCT SERIAL NUMBER - FROM THE LABEL TO PROTECT YOUR WARRANTY ALWAYS USE GENUINE HI-FORCE PARTS.

REVISION

1	5817
2	5939
3	
4	
5	
6	
7	
8	
9	
10	
11	
12	
13	
14	
15	
16	
17	
18	
19	
20	



**IMPORTANT**  
WHEN ORDERING SPARES YOU MUST STATE THE FULL PART NUMBER AND THE  
PRODUCT SERIAL NUMBER - FROM THE LABEL  
TO PROTECT YOUR WARRANTY ALWAYS USE GENUINE HI-FORCE PARTS.

ITEM NO.	PART NUMBER	DESCRIPTION	QTY.	SPARE PARTS	SERVICE PARTS
1	TAC000BA003	COVER PLATE	1		
2	PMC000UM001	UPPER PLATE	1		
3	PMC000LF001	LOWER PLATE	1		
4	15503	CONNECTOR PIPE	1		
5	15505	24mm DRIVE SHAFT	1		
6	17587	TRANSFER BLOCK	1		
7	17588	VALVE PLATE	1		
8	BAC008SN000	Ø8 mm STEEL BALL GRADE 100	5		
9	BLC005HF016	M5 x 16 mm HEX SOCKET COUNTERSUNK SCREW	2		
10	BLC006JE016	M6 x 16 mm HEX SOCKET COUNTERSUNK SCREW	1		
11	BLC008KF035	M8 x 35 mm HEX SOCKET COUNTERSUNK SCREW	4		
12	BLC006JC045	M6 x 45 mm HEX SOCKET CAP HEAD SCREW	2		
13	BLC006JD025	M6 x 25 mm HEX SOCKET CAP HEAD SCREW	4		
14	BLC008KC080	M8 x 80 mm HEX SOCKET CAP HEAD SCREW	6		
15	BLC008KC060	M8 x 60 mm HEX SOCKET CAP HEAD SCREW	2		
16	BPC006RS001	SEALING PLUG	4		
17	BSC025MC001	LOWER PLATE BEARING	1		
18	BSC035NC001	UPPER PLATE BEARING	1		
19	BSC040ND001	ECCENTRIC BEARING	1		
20	FAS006GJ010	1/4" BSP HEX HEAD BLANKING PLUG	1		
21	FAS010MA010	M10 X 10 CUP POINT GRUB SCREW	5		
22	FFC012MA001	SUCTION FILTER	1		
23	HPRV1	HIGH PRESSURE R/VALVE	1		
24	LPRV1	LOW PRESSURE R/VALVE	1		
25	SEC013BA001	BACK-UP RING - PTFE, SOLID SPLIT	2		✓
26	SEC013RA001	O-RING - I.D. 9.25mm, C.S. 1.78mm, NITRILE 90	2		✓
27	SEC014RF001	O-RING - I.D. 10.82 mm, C.S. 1.78 mm, NITRILE 90	4		✓

ITEM NO.	PART NUMBER	DESCRIPTION	QTY.	SPARE PARTS	SERVICE PARTS	REVISION
28	SEC035WE001	UPPER PLATE OIL SEAL	1			1 5817
29	STC025AA001	EXTERNAL CIRCLIP - 25 x 1.2 mm D1400/025	1			2 5939
30	STC040AA001	EXTERNAL CIRCLIP - 40 x 1.75 mm D2100/0400	2			3
31	WAC006AF000	M6 ZINC WASHER	4			4
32	WAC006BC001	M6 SPRING ZINC WASHER (SQUARE SECTION)	2			5
33	WAC007HD000	1/4" BSP SELF CENTERING BONDED WASHER	1			6
34	STC047BA001	INTERNAL CIRCLIP - 47 x 1.75 mm D1300/0470	1			7
35	<b>15494-A</b>	PISTON BLOCK ASSEMBLY	3			8
36	FPC010PB001	3/8" BSP BLANKING PLUG	1			9
37	<b>PMA060GZ001</b>	GP60 GEAR PUMP ASSEMBLY	1			10
						11
						12
						13
						14
						15
						16
						17
						18
						19
						20

**NOTE:**

- ALL PARTS ARE AVAILABLE TO BE ORDERED AS SPARE PARTS (UNLESS MARKED WITH X).

- ONLY PARTS MARKED WITH ✓ ARE AVAILABLE AS BOTH SPARE PARTS OR SERVICEABLE PARTS FROM **HEP-SK1 PUMP SERVICE KIT**. (REFER TO HEP-SK1: PUMP SERVICE KIT EVD FOR FULL PARTS LIST)

- IF ITEM NO. 24 (**LPRV1**) IS ORDERED AS A SPARE PART, THIS ALREADY COMES WITH 2 OFF ITEM NO.27 (**SEC014RF001**). THEREFORE THESE ARE NOT REQUIRED TO BE ORDERED SEPERATELY.

- FOR SUB ASSEMBLIES - ITEM NO. 35 (**15494-A**) & ITEM NO. 37 (**PMA060GZ001**) REFER TO THEIR INDIVIDUAL EVD's.

**IMPORTANT**

WHEN ORDERING SPARES YOU MUST STATE THE FULL PART NUMBER AND THE PRODUCT SERIAL NUMBER - FROM THE LABEL TO PROTECT YOUR WARRANTY ALWAYS USE GENUINE HI-FORCE PARTS.



ITEM NO.	PART NUMBER	DESCRIPTION	QTY.	SPARE PARTS	SERVICE PARTS	REVISION
1	15494	PISTON BLOCK	1	X		1 5717
2	15495	PISTON	1	X		2 5866
3	15496	VALVE SEAT	1	X		3
4	15509	SUCTION/DELIVERY SPRING	2	X		4
5	15508	PUMP SPRING	1	X		5
6	BAC005SN000	Ø5 mm STEEL BALL GRADE 100	2	X		6
7	SEC014RF001	O-RING - I.D. 10.82 mm, C.S. 1.78 mm, NITRILE 90	2		✓	7
8	SEC010RA001	O-RING - I.D. 6.35 mm, C.S. 1.78 mm, NITRILE 70	1	X		8
9	STC008SA001	N1305-0031 SELF LOCKING RING	1	X		9
						10
						11
						12
						13
						14
						15
						16
						17
						18
						19
						20

**NOTE:**

- ALL PARTS ARE AVAILABLE TO BE ORDERED AS SPARE PARTS (UNLESS MARKED WITH X).

- ONLY PARTS MARKED WITH ✓ ARE AVAILABLE AS BOTH SPARE PARTS OR SERVICEABLE PARTS, FROM **HEP-SK1 PUMP SERVICE KIT**. (REFER TO HEP-SK1: PUMP SERVICE KIT EVD FOR FULL PARTS LIST).

**IMPORTANT**

WHEN ORDERING SPARES YOU MUST STATE THE FULL PART NUMBER AND THE PRODUCT SERIAL NUMBER - FROM THE LABEL TO PROTECT YOUR WARRANTY ALWAYS USE GENUINE HI-FORCE PARTS.



ITEM NO.	PART NUMBER	DESCRIPTION	QTY.	SPARE PARTS	SERVICE PARTS	REVISION
1	GP60	GEAR PUMP	1			1 5939
2	PMC000TM001	TRANSFER PLATE	1			2
3	15510C	CONNECTOR TUBE	1			3
4	SEC010RA001	O-RING - I.D. 6.35 mm, C.S. 1.78 mm, NITRILE 70	2		✓	4
5	SEC019RF002	O-RING - I.D. 15.60, C.S. 1.78mm, NITRILE 90	2		✓	5
6	PMC000XM001	SEALING PLATE	1			6
7	BLC006JD030	M6 x 30 mm HEX SOCKET CAP HEAD SCREW	3			7
8	15507	ADAPTOR	1			8
9	PCC002WC001	KEY TO FIT 200/300 PUMPS	1			9
10	FAS008SP080	M8 X 80 HEX SOCKET REDUCED CAP HEAD SCREW (FULLY THREADED)	2			10
11	FPA013DC001	GEAR PUMP ELBOW (INC WITH GEAR PUMP)	1	x		11

**NOTE:**

- ALL PARTS ARE AVAILABLE TO BE ORDERED AS SPARE PARTS (UNLESS MARKED WITH X)
- ONLY PARTS MARKED WITH ✓ ARE AVAILABLE AS BOTH SPARE PARTS OR SERVICEABLE PARTS, FROM HEP-SK1 PUMP SERVICE KIT. (REFER TO HEP-SK1: PUMP SERVICE KIT EVD FOR FULL PARTS LIST)
- THE ORIENTATION OF ITEM NO. 2 (PMC000TM001) IS DETERMINED BY THE BRAND OF THE GP60 GEAR PUMP SUPPLIED (REFER TO SHEET 2 FOR FURTHER DETAILS)
- ITEM NO. 10 (FAS008SP080) ARE TO REPLACE TWO SCREWS (BLC008KC080) ON THE TYPE300-24, PRIOR TO FITTING PMA060GZ001 (REFER TO SHEET 3 FOR FURTHER DETAILS)
- INDIVIDUAL ITEMS ARE NOT AVAILABLE AS SPARE PARTS FOR HEP PUMPS WITH SERIAL NUMBERS EARLIER THAN **BR9070**. GP60 GEAR PUMP ASSEMBLY (PMA060GZ001) WILL NEED TO BE ORDERED. INDIVIDUAL ITEMS APART FROM ITEM NO. 11 ARE AVAILABLE AS SPARE PARTS FOR HEP PUMPS WITH SERIAL NUMBERS ABOVE **BR9070**

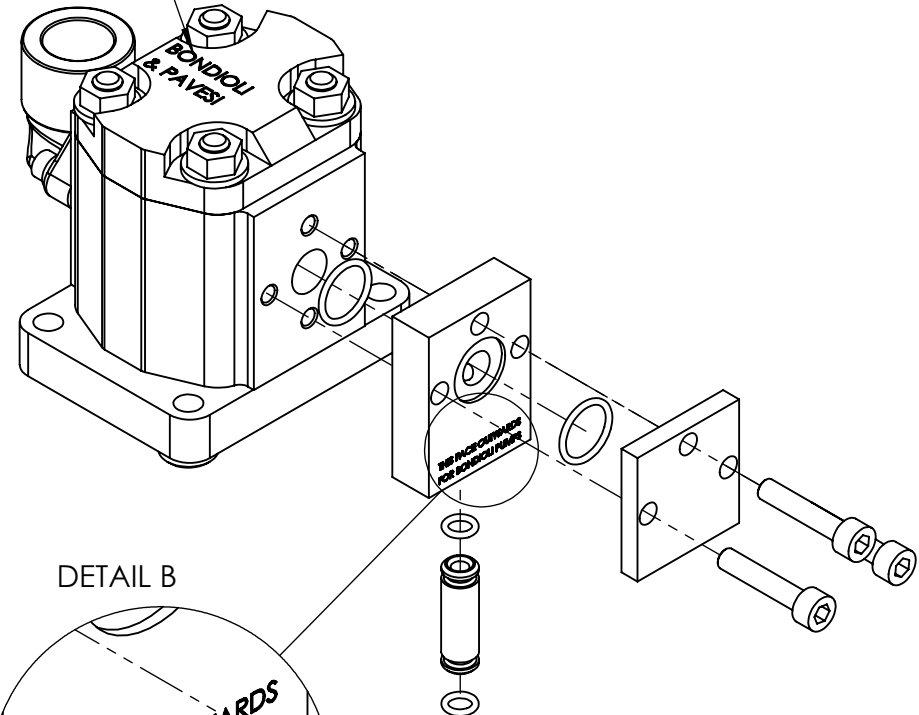
**IMPORTANT**

WHEN ORDERING SPARES YOU MUST STATE THE FULL PART NUMBER AND THE PRODUCT SERIAL NUMBER - FROM THE LABEL TO PROTECT YOUR WARRANTY ALWAYS USE GENUINE HI-FORCE PARTS.

**ORIENTATION OF TRANSFER PLATE**

FOR GALTECH GEAR PUMPS, LOOK FOR "GALTECH" USUALLY FOUND ON THE SIDE OF THE BODY

FOR BONDIOLI GEAR PUMPS, LOOK FOR "BONDIOLI & PAVESI" USUALLY FOUND ON THE BOTTOM OF THE BODY



REVISION

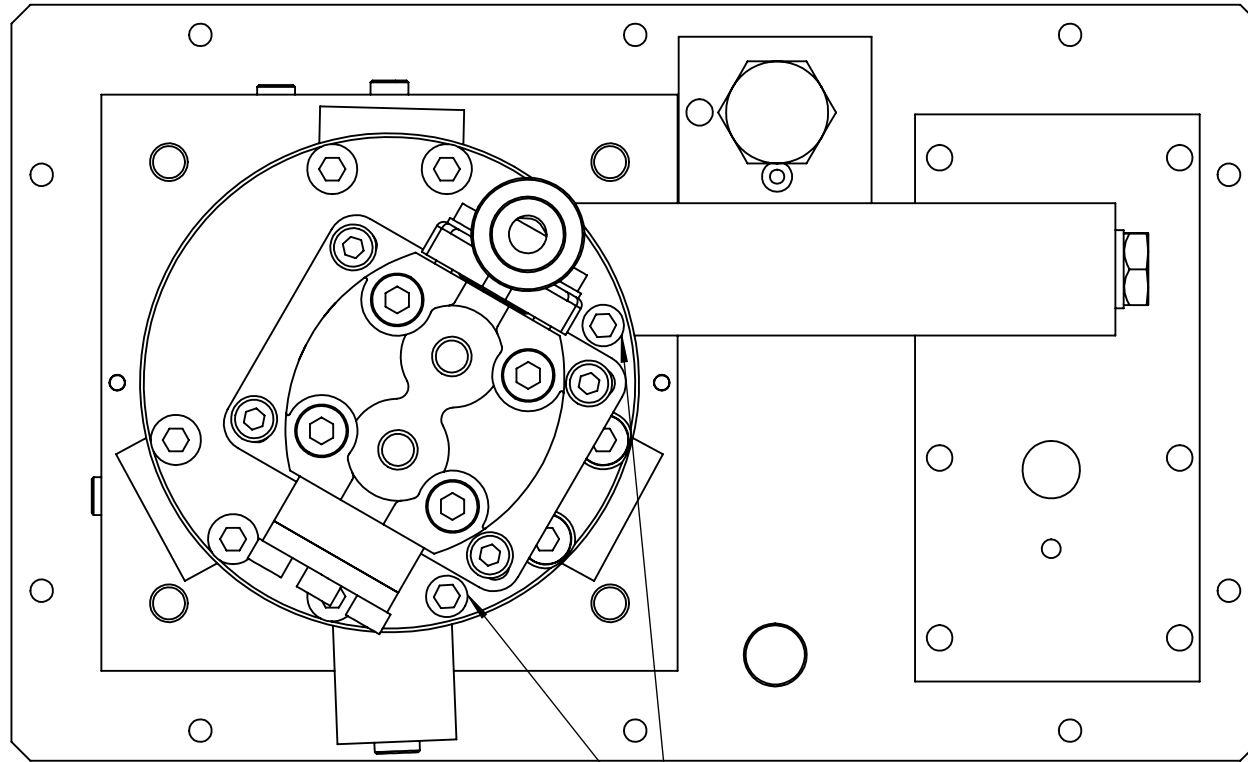
1	5939
2	
3	
4	
5	
6	
7	
8	
9	
10	
11	
12	
13	
14	
15	
16	
17	
18	
19	
20	

**IMPORTANT**  
WHEN ORDERING SPARES YOU MUST STATE THE FULL PART NUMBER AND THE PRODUCT SERIAL NUMBER - FROM THE LABEL TO PROTECT YOUR WARRANTY ALWAYS USE GENUINE HI-FORCE PARTS.

REVISION

1	5939
2	
3	
4	
5	
6	
7	
8	
9	
10	
11	
12	
13	
14	
15	
16	
17	
18	
19	
20	

**TYPE300-24: BOTTOM VIEW**

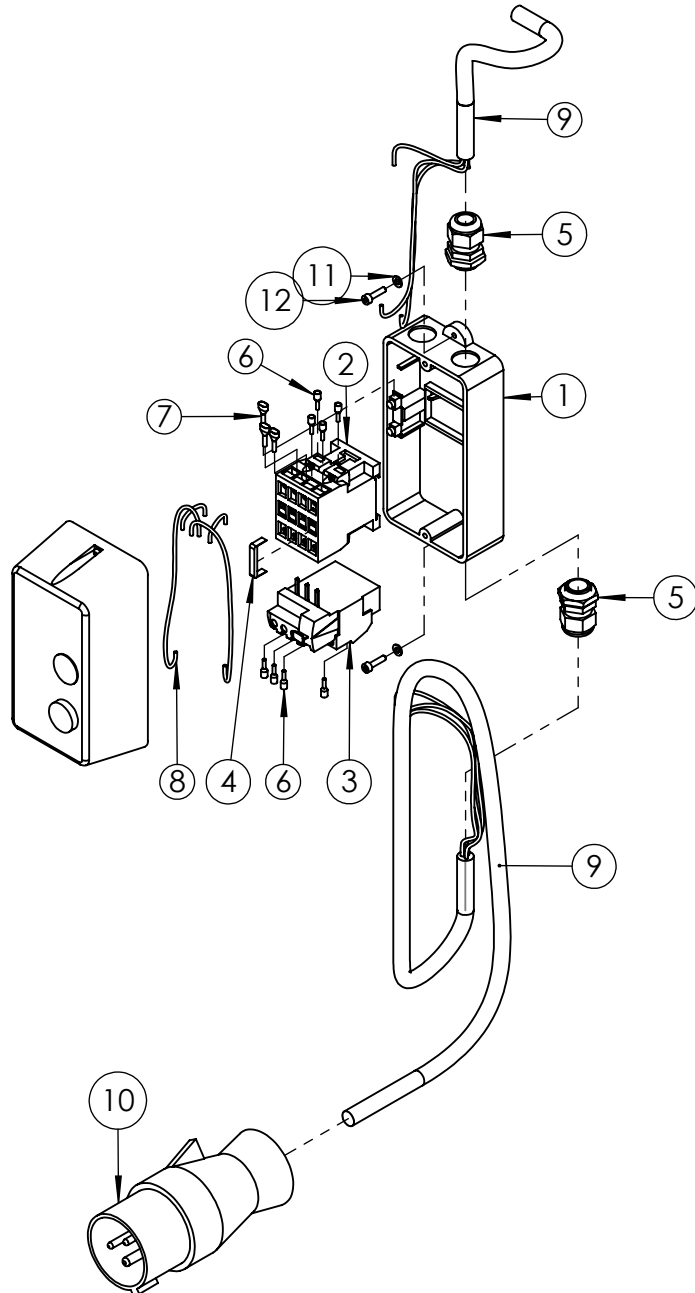


REMOVE THE TWO CURRENT SCREWS FROM THESE TWO POSITIONS AND REPLACE WITH ITEM NO. 10 (FAS008SP080)

**IMPORTANT**

WHEN ORDERING SPARES YOU MUST STATE THE FULL PART NUMBER AND THE PRODUCT SERIAL NUMBER - FROM THE LABEL TO PROTECT YOUR WARRANTY ALWAYS USE GENUINE HI-FORCE PARTS.





ITEM NO.	PART NUMBER	DESCRIPTION	QTY.	SPARE PARTS	SERVICE PARTS	REVISION
1	EMC000EF001	ENCLOSURE WITH PUSH BUTTONS P1MT	1			1 5717
2	EMC230KE001	CONTACTOR 230 VOLT	1			2
3	EMC230RE001	OVERLOAD RELAY 8-11 AMPS	1			3
4	EMC110XF001	BRIDGING BAR	1			4
5	NUC020LS002	GLAND 6-12MM	2			5
6	CEC250SX001	BOOTLACE FERRULE (INSULATED) 2.5mm GREY	8			6
7	CEC250SX002	TWIN BOOTLACE FERRULE 2.5 mm <sup>2</sup>	3			7
8	CEC250AC000	SINGLE CORE TR-RATED CABLE 2.5 mm <sup>2</sup>	1			8
9	CEC250CC000	3 CORE CABLE 2.5mm <sup>2</sup> H07RN-F3G 2.5	2			9
10	MCC240EP002	240V 16 Amp PLUG	1			10
11	WAC004YB000	M4 WASHER ST	2			11
12	BLC004JD016	M4 X 16 HEX SOCKET, CAP HEAD SCREW	2			12
						13
						14
						15
						16
						17
						18
						19
						20

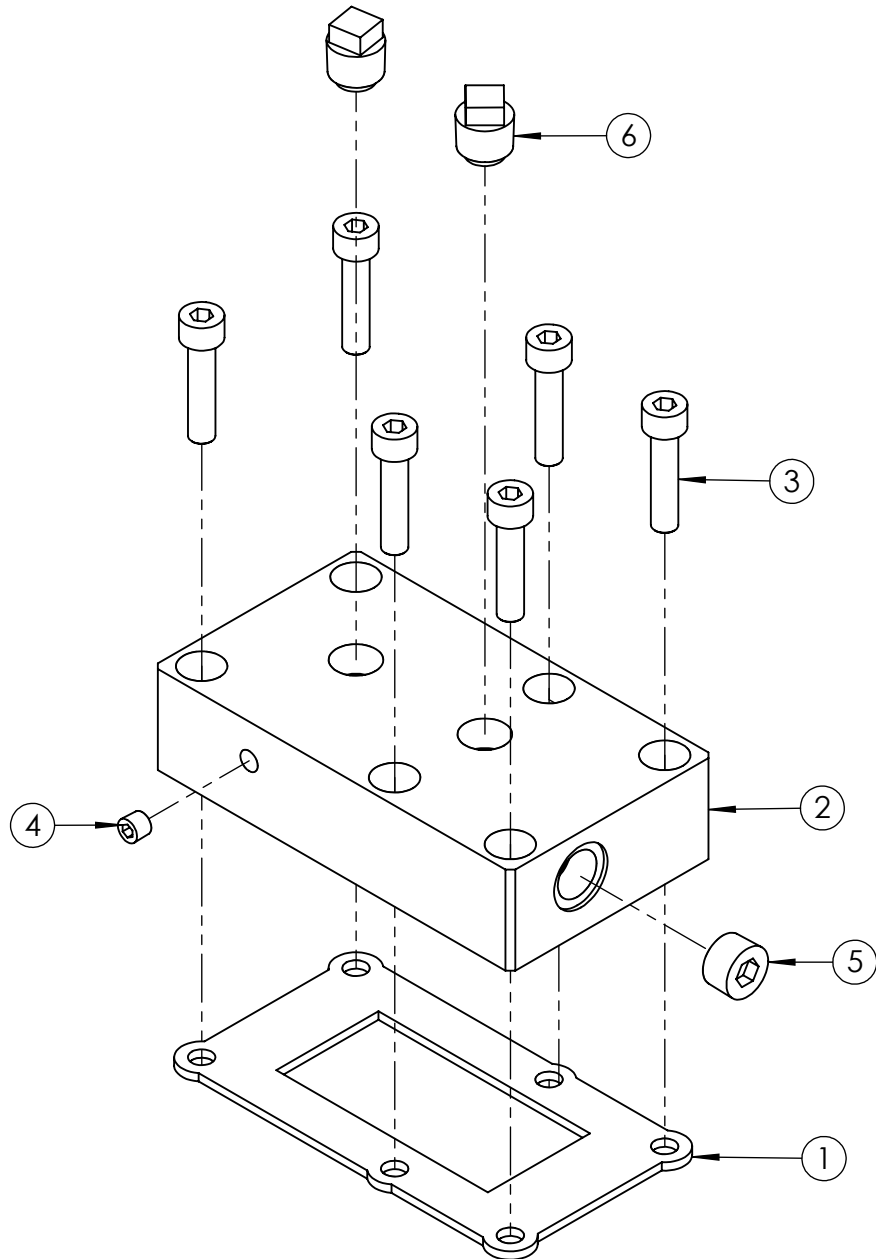
**NOTE:**

- ALL PARTS ARE AVAILABLE TO BE ORDERED AS SPARE PARTS (UNLESS MARKED WITH X).

**IMPORTANT**

WHEN ORDERING SPARES YOU MUST STATE THE FULL PART NUMBER AND THE PRODUCT SERIAL NUMBER - FROM THE LABEL TO PROTECT YOUR WARRANTY ALWAYS USE GENUINE HI-FORCE PARTS.

ITEM NO.	PART NUMBER	DESCRIPTION	QTY.	SPARE PARTS	REVISION
1	SEC003KT001	VALVE GASKET	1		1 5717
2	VFC010BF010	CONNECTOR PLATE	1		2
3	BLC008KD035	M8 x 35 mm HEX SOCKET CAP HEAD SCREW	6		3
4	FPC002PN001	1/16" x 7/8" NPT SOCKET PLUG	1		4
5	FPC010PN002	3/8" X 7/8" NPT SOCKET PLUG	1		5
6	BPC010SP004	3/8 NPT PLASTIC BLANKING PLUG (RED)	2		6
					7
					8
					9
					10
					11
					12
					13
					14
					15
					16
					17
					18
					19
					20



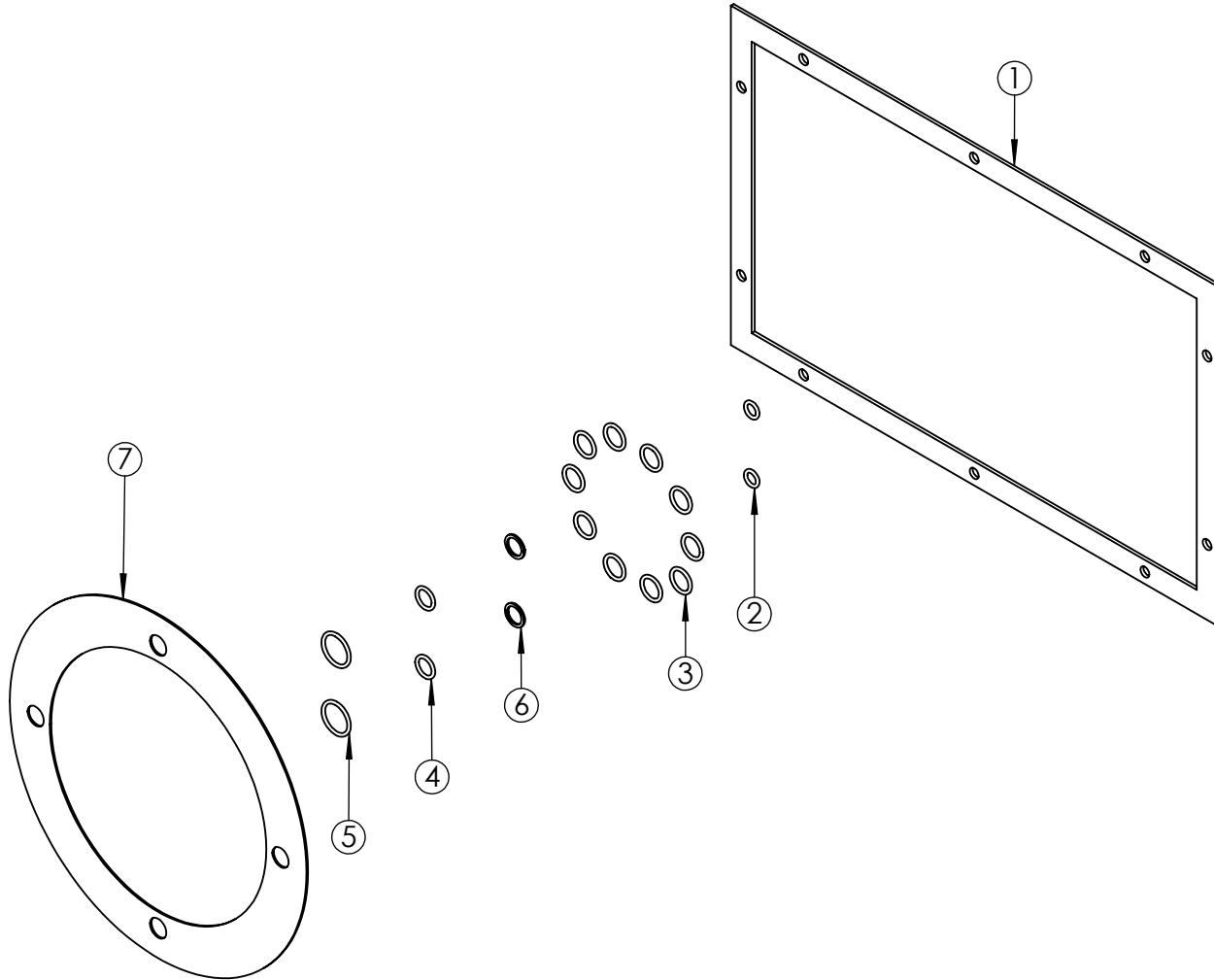
**NOTE:**

- ALL PARTS ARE AVAILABLE TO BE ORDERED AS SPARE PARTS (UNLESS MARKED WITH **X**).

**IMPORTANT**

WHEN ORDERING SPARES YOU MUST STATE THE FULL PART NUMBER AND THE PRODUCT SERIAL NUMBER - FROM THE LABEL TO PROTECT YOUR WARRANTY ALWAYS USE GENUINE HI-FORCE PARTS.

ITEM NO.	PART NUMBER	DESCRIPTION	QTY.	REVISION
1	15482	TANK GASKET	1	1 5717
2	SEC010RA001	O-RING - I.D. 6.35 mm, C.S. 1.78 mm, NITRILE 70	2	2 5939
3	SEC014RF001	O-RING - I.D. 10.82 mm, C.S. 1.78 mm, NITRILE 90	10	3
4	SEC013RA001	O-RING - I.D. 9.25mm, C.S. 1.78mm, NITRILE 90	2	4
5	SEC019RF002	O-RING - I.D. 15.60, C.S. 1.78mm, NITRILE 90	2	5
6	SEC013BA001	BACK-UP RING - PTFE, SOLID SPLIT	2	6
7	SEC001KT003	GASKET	1	7
				8
				9
				10
				11
				12
				13
				14
				15
				16
				17
				18
				19
				20



**IMPORTANT**  
WHEN ORDERING SPARES YOU MUST STATE THE FULL PART NUMBER AND THE PRODUCT SERIAL NUMBER - FROM THE LABEL TO PROTECT YOUR WARRANTY ALWAYS USE GENUINE HI-FORCE PARTS.