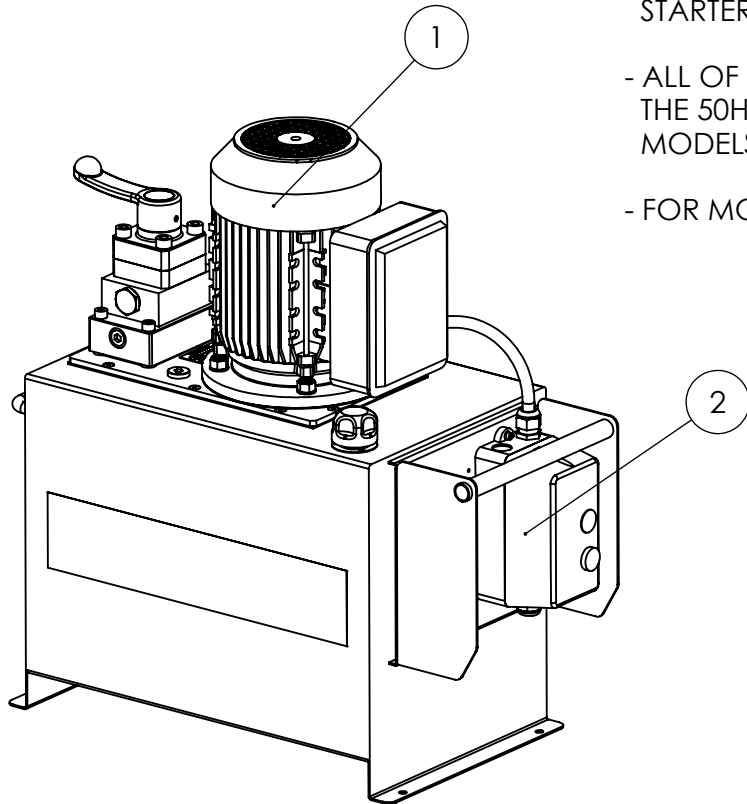


MODEL RANGES	ITEM NO.	PART NUMBER	DESCRIPTION	QTY	SPARE PARTS
HEP410142H, HEP410162H, HEP410242H, HEP410262H, HEP410342H, HEP410362H, HEP410442H, HEP410462H, HEP410342HS, HEP410362HS, HEP410442HS, HEP410462HS	1	EM220-1.8-4HLAF	ELECTRIC MOTOR, 220VAC, 1.8kW, 60Hz	1	
	2	EMA230UE002	60Hz MOTOR STARTER ASSEMBLY	1	

NOTE:

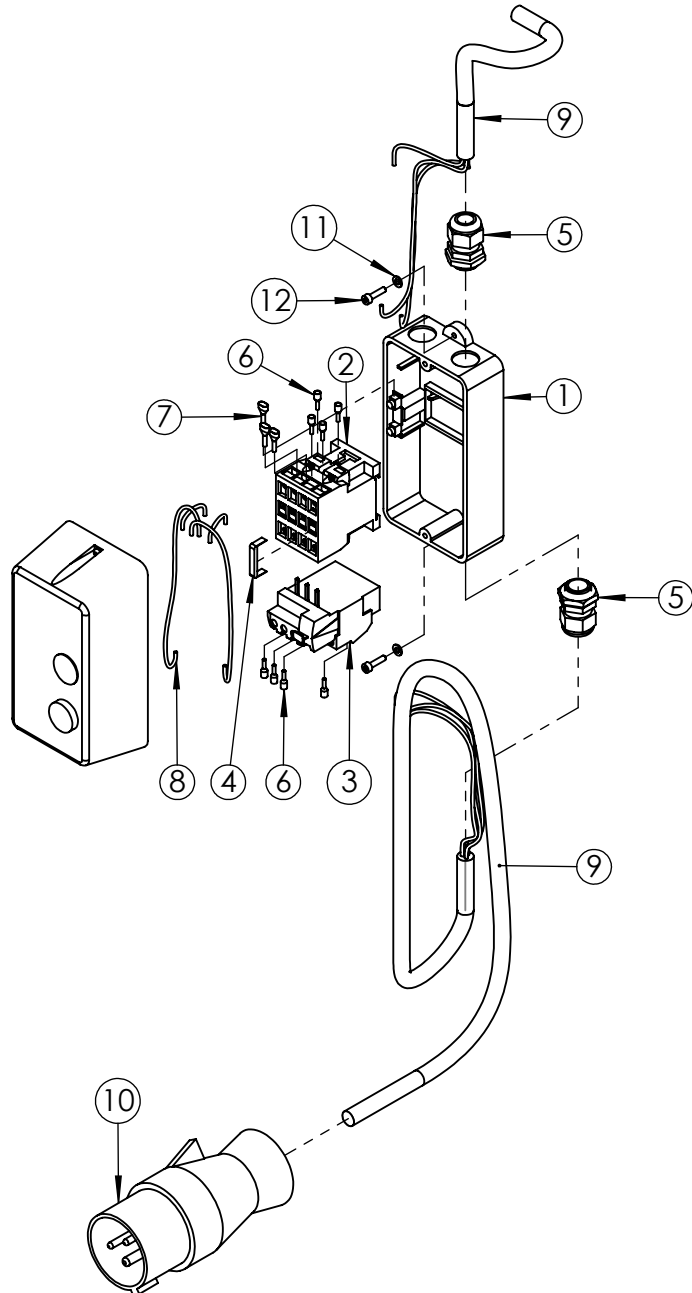
- ALL PARTS ARE AVAILABLE TO BE ORDERED AS A SPARE PARTS (UNLESS MARKED WITH X).
- 60Hz MODELS (SUFFIX H OR HS) USE A DIFFERENT ELECTRICAL MOTOR AND MOTOR STARTER TO THE 50Hz MODELS (REFER TO TABLE ABOVE FOR ELECTRICAL MOTOR AND MOTOR STARTER USED ON THE 220V 60Hz MODEL RANGES).
- ALL OF THE OTHER ITEMS ARE IDENTICAL TO THE 50Hz MODELS, THEREFORE PLEASE REFER TO THE 50Hz MODEL EVD'S (REFER TO MODEL RANGE TABLE BELOW WHICH IDENTIFIES THE 50Hz MODELS AGAINST THE 60Hz MODELS).
- FOR MOTOR STARTER SUB ASSEMBLY (ITEM NO. 2) PLEASE REFER TO THE INDIVIDUAL EVD.



MODEL RANGES	
60Hz	50Hz
HEP410142H	HEP410142
HEP410162H	HEP410162
HEP410242H	HEP410242
HEP410262H	HEP410262
HEP410342H	HEP410342
HEP410362H	HEP410362
HEP410442H	HEP410442
HEP410462H	HEP410462
HEP410342HS	HEP410342S
HEP410362HS	HEP410362S
HEP410442HS	HEP410442S
HEP410462HS	HEP410462S

IMPORTANT

WHEN ORDERING SPARES YOU MUST STATE THE FULL PART NUMBER AND THE PRODUCT SERIAL NUMBER - FROM THE LABEL TO PROTECT YOUR WARRANTY ALWAYS USE GENUINE HI-FORCE PARTS.



ITEM NO.	PART NUMBER	DESCRIPTION	QTY.	SPARE PARTS	SERVICE PARTS	REVISION
1	EMC000EF001	ENCLOSURE WITH PUSH BUTTONS P1MT	1			1 6085
2	EMC230KE001	CONTACTOR 230 VOLT	1			2
3	EMC230RE002	OVERLOAD RELAY 10-14amps	1			3
4	EMC110XF001	BRIDGING BAR	1			4
5	NUC020LS002	GLAND 6-12MM	2			5
6	CEC250SX001	BOOTLACE FERRULE (INSULATED) 2.5mm GREY	8			6
7	CEC250SX002	TWIN BOOTLACE FERRULE 2.5 mm ²	3			7
8	CEC250AC000	SINGLE CORE TR-RATED CABLE 2.5 mm ²	1			8
9	CEC250CC000	3 CORE CABLE 2.5mm ² H07RN-F3G 2.5	2			9
10	MCC240EP002	240V 16 Amp PLUG	1			10
11	WAC004YB000	M4 WASHER ST	2			11
12	BLC004JD016	M4 X 16 HEX SOCKET, CAP HEAD SCREW	2			12
						13
						14
						15
						16
						17
						18
						19
						20

NOTE:

- ALL PARTS ARE AVAILABLE TO BE ORDERED AS SPARE PARTS (UNLESS MARKED WITH X).

IMPORTANT

WHEN ORDERING SPARES YOU MUST STATE THE FULL PART NUMBER AND THE PRODUCT SERIAL NUMBER - FROM THE LABEL TO PROTECT YOUR WARRANTY ALWAYS USE GENUINE HI-FORCE PARTS.