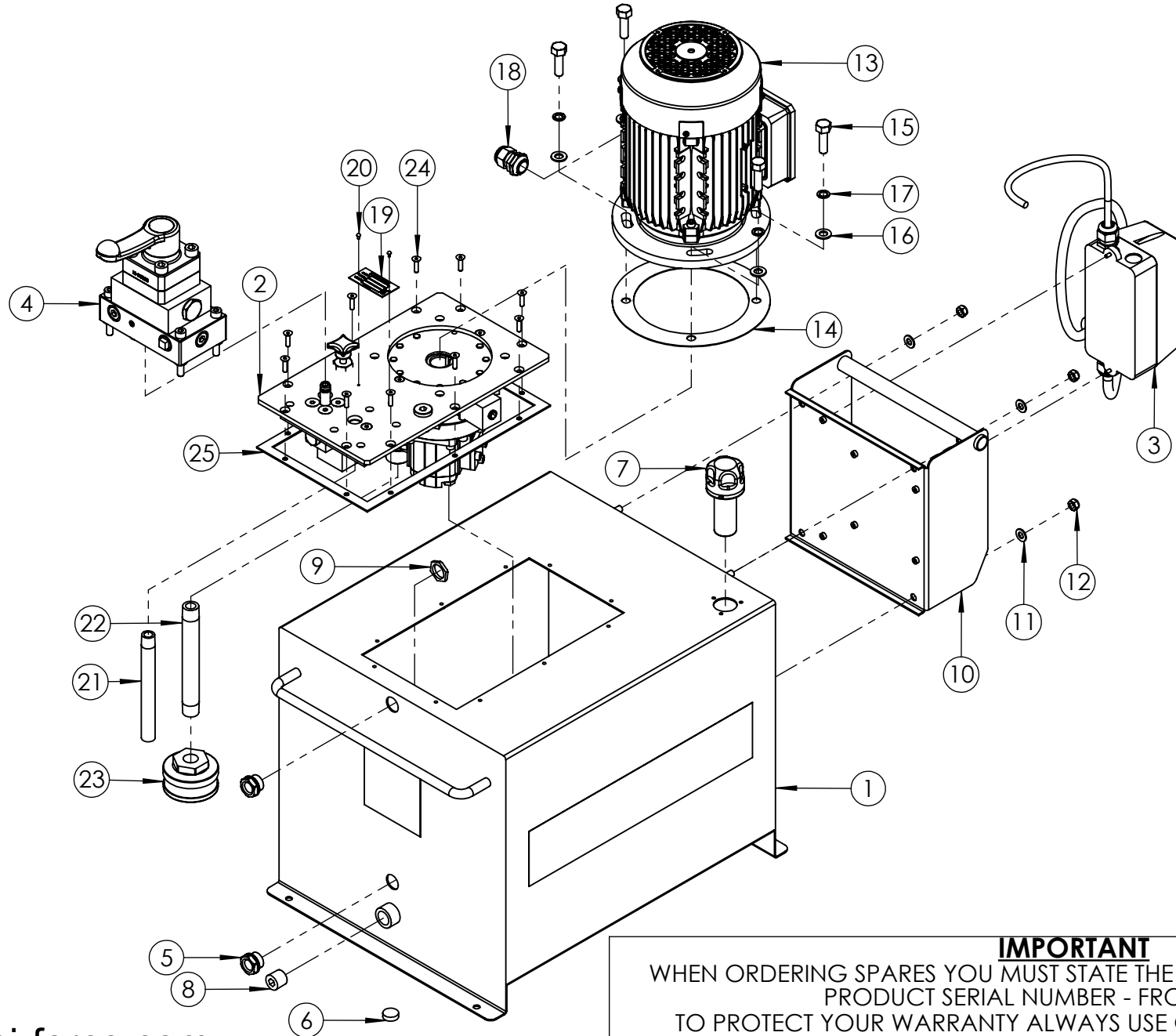


REVISION

1	5825
<b>2</b>	6127
3	
4	
5	
6	
7	
8	
9	
10	
11	
12	
13	
14	
15	
16	
17	
18	
19	
20	



**IMPORTANT**  
WHEN ORDERING SPARES YOU MUST STATE THE FULL PART NUMBER AND THE  
PRODUCT SERIAL NUMBER - FROM THE LABEL  
TO PROTECT YOUR WARRANTY ALWAYS USE GENUINE HI-FORCE PARTS.

ITEM NO.	PART NUMBER	DESCRIPTION	QTY.	SPARE PARTS	SERVIVCE PARTS
1	TAC060AS002	60L TANK	1		
2	<b>TYPE300-24</b>	300 SERIES PUMP UNIT	1		
3	<b>EMA415UD001</b>	MOTOR STARTER ASSEMBLY	1		
4	<b>PMV3L</b>	VALVE ASSEMBLY 3 WAY PMV3-L	1		
5	BLC021YT010	SIGHT GLASS HGF.13 BLACK OIL LEVEL INDICATOR	2		
6	DCSF00328	DOUBLE SIDED MAGNET	1		
7	FFC028PZ001	FILLER/BREATHER	1		
8	FPC013PC001	1/2" BSP PLUG - HEX SOCKET	1		
9	NUC021-B000	1/2" BSP LOCK NUT	2		
10	TAC000FS002	MODULAR ELECTRIC TRAY	1		
11	WAC008AB000	M8 PLAIN WASHER	4		
12	NUC008KC000	M8 NYLOC NUT	4		
13	EM415-3.0-2LAF	3kW 2 POLE IE3 230/400V 3/50Hz IMB5 FLANGE MOUNT	1		
14	SEC001KT003	GASKET	1		✓
15	BLC010LB035	M10 x 35 mm HEX HEAD BOLT, ZINC PLATED	4		
16	WAC010AB000	M10 ZINC PLATED FLAT WASHER	4		
17	WAC010BZ000	M10 SPRING WASHER	4		
18	NUC020LS002	GLAND 6-12MM	1		
19	AAN000UP001	NAMEPLATE	1	X	
20	FAS002HZ001	HAMMER DRIVE SCREW	2		
21	TAC000PA001	160 mm LONG SUCTION PIPE	1		
22	FPC013AC002	FEED PIPE	1		
23	FFC045MZ001	FILTER	1		
24	BLC005HF020	M5 x 20 mm HEX SOCKET COUNTERSUNK SCREW	10		
25	15482	1/8" NITRILE RUBBER 70 SHORE GASKET SET	1		✓
*	SFC065FA002	BLANKING PLATE	1		

REVISION

1 5825

2 6127

3

4

5

6

7

8

9

10

11

12

13

14

15

16

17

18

19

20

**NOTE:**

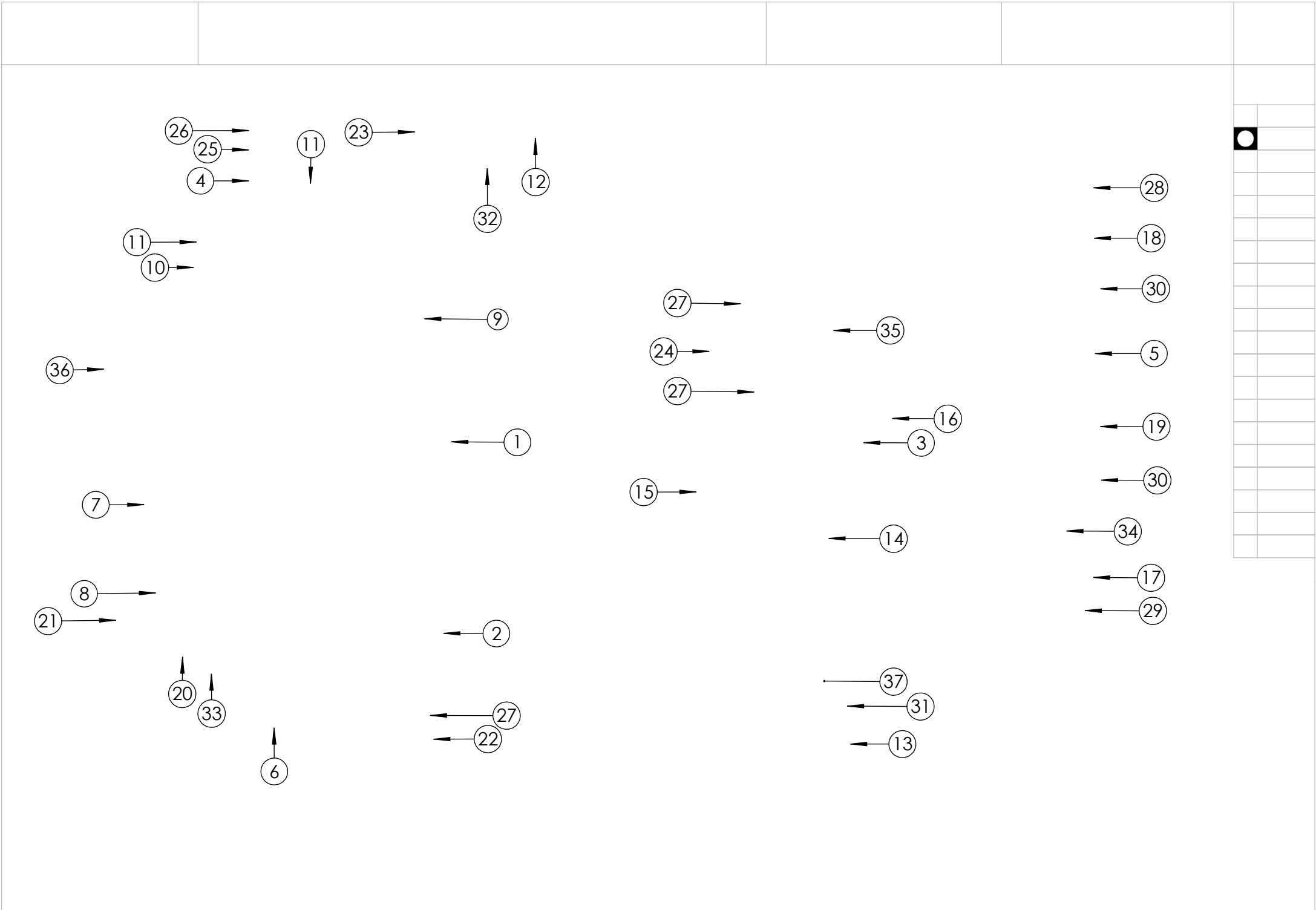
- ALL PARTS ARE AVAILABLE TO BE ORDERED AS SPARE PARTS (UNLESS MARKED WITH X).

- ONLY PARTS MARKED WITH ✓ ARE AVAILABLE AS BOTH SPARE PARTS OR SERVICEABLE PARTS, FROM **HEP-SK1 PUMP SERVICE KIT**. (REFER TO HEP-SK1: PUMP SERVICE KIT EVD FOR FULL PARTS LIST)

- FOR SUB ASSEMBLIES (ITEM NO.S 2, 3, & 4) REFER TO THEIR INDIVIDUAL EVD'S.

**IMPORTANT**

WHEN ORDERING SPARES YOU MUST STATE THE FULL PART NUMBER AND THE PRODUCT SERIAL NUMBER - FROM THE LABEL TO PROTECT YOUR WARRANTY ALWAYS USE GENUINE HI-FORCE PARTS.



ITEM NO.	PART NUMBER	DESCRIPTION	QTY.	SPARE PARTS	SERVICE PARTS
1	TAC000BA003	COVER PLATE	1		
2	PMC000UM001	UPPER PLATE	1		
3	PMC000LF001	LOWER PLATE	1		
4	15503	CONNECTOR PIPE	1		
5	15505	24mm DRIVE SHAFT	1		
6	17587	TRANSFER BLOCK	1		
7	17588	VALVE PLATE	1		
8	BAC008SN000	Ø8 mm STEEL BALL GRADE 100	5		
9	BLC005HF016	M5 x 16 mm HEX SOCKET COUNTERSUNK SCREW	2		
10	BLC006JE016	M6 x 16 mm HEX SOCKET COUNTERSUNK SCREW	1		
11	BLC008KF035	M8 x 35 mm HEX SOCKET COUNTERSUNK SCREW	4		
12	BLC006JC045	M6 x 45 mm HEX SOCKET CAP HEAD SCREW	2		
13	BLC006JD025	M6 x 25 mm HEX SOCKET CAP HEAD SCREW	4		
14	BLC008KC080	M8 x 80 mm HEX SOCKET CAP HEAD SCREW	6		
15	BLC008KC060	M8 x 60 mm HEX SOCKET CAP HEAD SCREW	2		
16	BPC006RS001	SEALING PLUG	4		
17	BSC025MC001	LOWER PLATE BEARING	1		
18	BSC035NC001	UPPER PLATE BEARING	1		
19	BSC040ND001	ECCENTRIC BEARING	1		
20	FAS006GJ010	1/4" BSP HEX HEAD BLANKING PLUG	1		
21	FAS010MA010	M10 X 10 CUP POINT GRUB SCREW	5		
22	FFC012MA001	SUCTION FILTER	1		
23	HPRV1	HIGH PRESSURE R/VALVE	1		
24	LPRV1	LOW PRESSURE R/VALVE	1		
25	SEC013BA001	BACK-UP RING - PTFE, SOLID SPLIT	2		✓
26	SEC013RA001	O-RING - I.D. 9.25mm, C.S. 1.78mm, NITRILE 90	2		✓
27	SEC014RF001	O-RING - I.D. 10.82 mm, C.S. 1.78 mm, NITRILE 90	4		✓

ITEM NO.	PART NUMBER	DESCRIPTION	QTY.	SPARE PARTS	SERVICE PARTS	REVISION
28	SEC035WE001	UPPER PLATE OIL SEAL	1			1 5817
29	STC025AA001	EXTERNAL CIRCLIP - 25 x 1.2 mm D1400/025	1			2 5939
30	STC040AA001	EXTERNAL CIRCLIP - 40 x 1.75 mm D2100/0400	2			3
31	WAC006AF000	M6 ZINC WASHER	4			4
32	WAC006BC001	M6 SPRING ZINC WASHER (SQUARE SECTION)	2			5
33	WAC007HD000	1/4" BSP SELF CENTERING BONDED WASHER	1			6
34	STC047BA001	INTERNAL CIRCLIP - 47 x 1.75 mm D1300/0470	1			7
35	<b>15494-A</b>	PISTON BLOCK ASSEMBLY	3			8
36	FPC010PB001	3/8" BSP BLANKING PLUG	1			9
37	<b>PMA060GZ001</b>	GP60 GEAR PUMP ASSEMBLY	1			10
						11
						12
						13
						14
						15
						16
						17
						18
						19
						20

**NOTE:**

- ALL PARTS ARE AVAILABLE TO BE ORDERED AS SPARE PARTS (UNLESS MARKED WITH X).

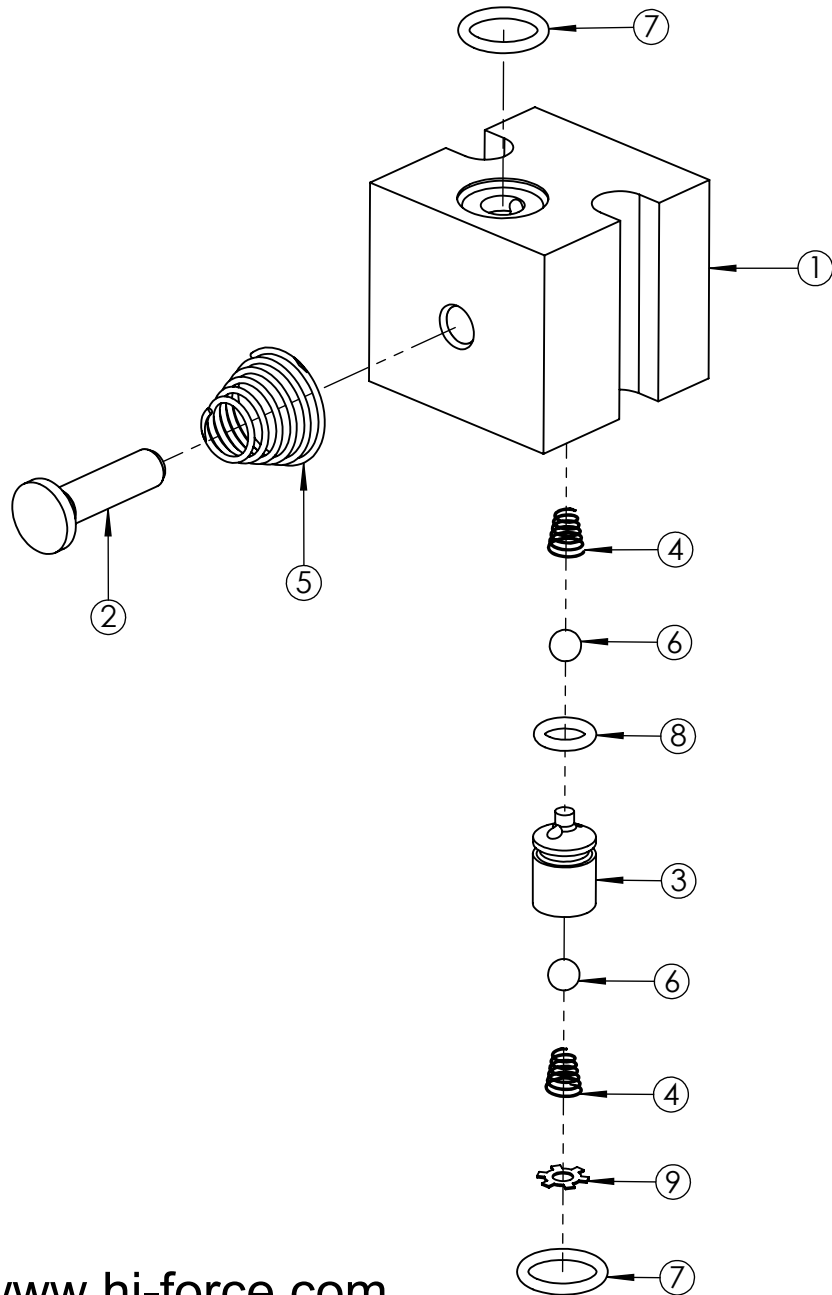
- ONLY PARTS MARKED WITH ✓ ARE AVAILABLE AS BOTH SPARE PARTS OR SERVICEABLE PARTS FROM **HEP-SK1 PUMP SERVICE KIT**. (REFER TO HEP-SK1: PUMP SERVICE KIT EVD FOR FULL PARTS LIST)

- IF ITEM NO. 24 (**LPRV1**) IS ORDERED AS A SPARE PART, THIS ALREADY COMES WITH 2 OFF ITEM NO.27 (**SEC014RF001**). THEREFORE THESE ARE NOT REQUIRED TO BE ORDERED SEPERATELY.

- FOR SUB ASSEMBLIES - ITEM NO. 35 (**15494-A**) & ITEM NO. 37 (**PMA060GZ001**) REFER TO THEIR INDIVIDUAL EVD's.

**IMPORTANT**

WHEN ORDERING SPARES YOU MUST STATE THE FULL PART NUMBER AND THE PRODUCT SERIAL NUMBER - FROM THE LABEL TO PROTECT YOUR WARRANTY ALWAYS USE GENUINE HI-FORCE PARTS.



ITEM NO.	PART NUMBER	DESCRIPTION	QTY.	SPARE PARTS	SERVICE PARTS	REVISION
1	15494	PISTON BLOCK	1	X		1 5717
2	15495	PISTON	1	X		2 5866
3	15496	VALVE SEAT	1	X		3
4	15509	SUCTION/DELIVERY SPRING	2	X		4
5	15508	PUMP SPRING	1	X		5
6	BAC005SN000	Ø5 mm STEEL BALL GRADE 100	2	X		6
7	SEC014RF001	O-RING - I.D. 10.82 mm, C.S. 1.78 mm, NITRILE 90	2		✓	7
8	SEC010RA001	O-RING - I.D. 6.35 mm, C.S. 1.78 mm, NITRILE 70	1	X		8
9	STC008SA001	N1305-0031 SELF LOCKING RING	1	X		9
						10
						11
						12
						13
						14
						15
						16
						17
						18
						19
						20

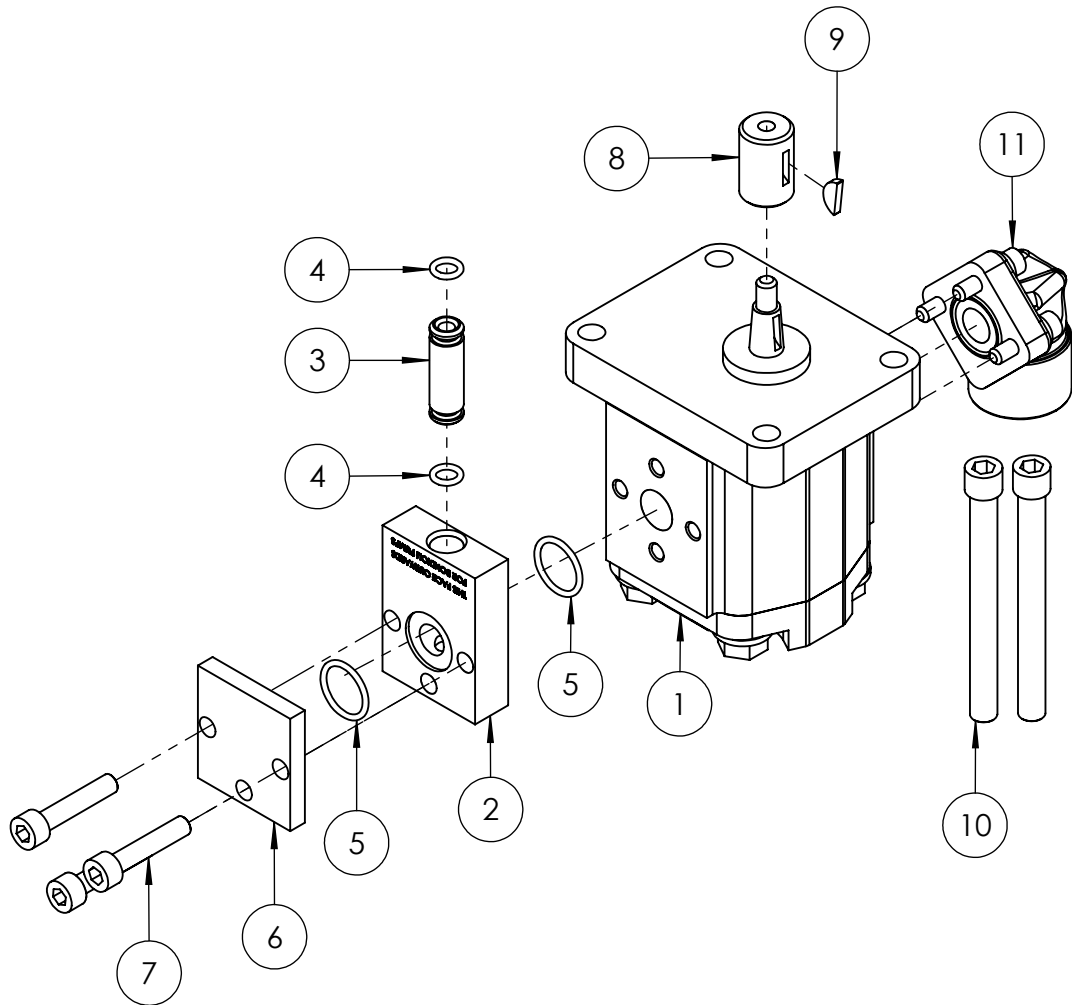
**NOTE:**

- ALL PARTS ARE AVAILABLE TO BE ORDERED AS SPARE PARTS (UNLESS MARKED WITH X).

- ONLY PARTS MARKED WITH ✓ ARE AVAILABLE AS BOTH SPARE PARTS OR SERVICEABLE PARTS, FROM **HEP-SK1 PUMP SERVICE KIT**. (REFER TO HEP-SK1: PUMP SERVICE KIT EVD FOR FULL PARTS LIST).

**IMPORTANT**

WHEN ORDERING SPARES YOU MUST STATE THE FULL PART NUMBER AND THE PRODUCT SERIAL NUMBER - FROM THE LABEL TO PROTECT YOUR WARRANTY ALWAYS USE GENUINE HI-FORCE PARTS.



ITEM NO.	PART NUMBER	DESCRIPTION	QTY.	SPARE PARTS	SERVICE PARTS	REVISION
1	GP60	GEAR PUMP	1			1 5939
2	PMC000TM001	TRANSFER PLATE	1			2
3	15510C	CONNECTOR TUBE	1			3
4	SEC010RA001	O-RING - I.D. 6.35 mm, C.S. 1.78 mm, NITRILE 70	2		✓	4
5	SEC019RF002	O-RING - I.D. 15.60, C.S. 1.78mm, NITRILE 90	2		✓	5
6	PMC000XM001	SEALING PLATE	1			6
7	BLC006JD030	M6 x 30 mm HEX SOCKET CAP HEAD SCREW	3			7
8	15507	ADAPTOR	1			8
9	PCC002WC001	KEY TO FIT 200/300 PUMPS	1			9
10	FAS008SP080	M8 X 80 HEX SOCKET REDUCED CAP HEAD SCREW (FULLY THREADED)	2			10
11	FPA013DC001	GEAR PUMP ELBOW (INC WITH GEAR PUMP)	1	x		11

**NOTE:**

- ALL PARTS ARE AVAILABLE TO BE ORDERED AS SPARE PARTS (UNLESS MARKED WITH X)
- ONLY PARTS MARKED WITH ✓ ARE AVAILABLE AS BOTH SPARE PARTS OR SERVICEABLE PARTS, FROM HEP-SK1 PUMP SERVICE KIT. (REFER TO HEP-SK1: PUMP SERVICE KIT EVD FOR FULL PARTS LIST)
- THE ORIENTATION OF ITEM NO. 2 (PMC000TM001) IS DETERMINED BY THE BRAND OF THE GP60 GEAR PUMP SUPPLIED (REFER TO SHEET 2 FOR FURTHER DETAILS)
- ITEM NO. 10 (FAS008SP080) ARE TO REPLACE TWO SCREWS (BLC008KC080) ON THE TYPE300-24, PRIOR TO FITTING PMA060GZ001 (REFER TO SHEET 3 FOR FURTHER DETAILS)
- INDIVIDUAL ITEMS ARE NOT AVAILABLE AS SPARE PARTS FOR HEP PUMPS WITH SERIAL NUMBERS EARLIER THAN **BR9070**. GP60 GEAR PUMP ASSEMBLY (PMA060GZ001) WILL NEED TO BE ORDERED. INDIVIDUAL ITEMS APART FROM ITEM NO. 11 ARE AVAILABLE AS SPARE PARTS FOR HEP PUMPS WITH SERIAL NUMBERS ABOVE **BR9070**

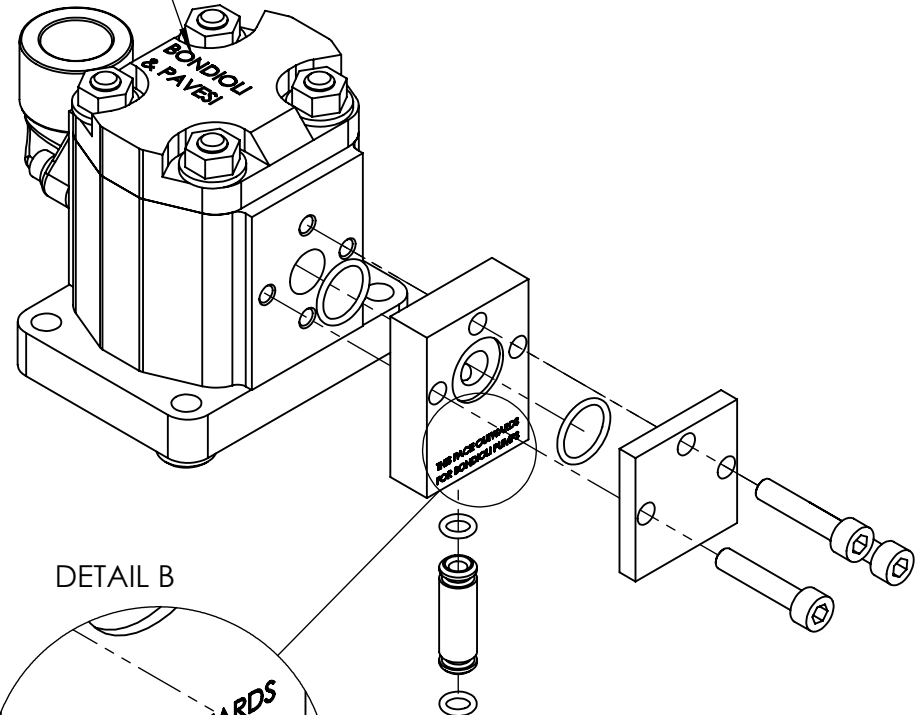
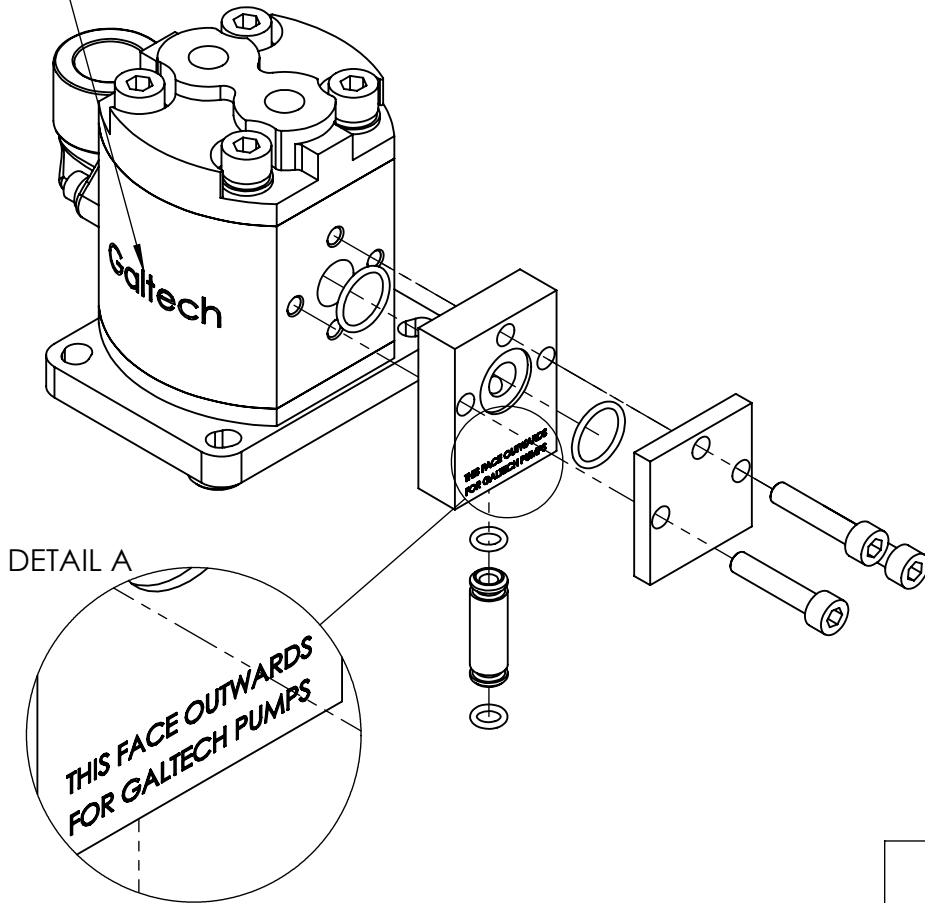
**IMPORTANT**

WHEN ORDERING SPARES YOU MUST STATE THE FULL PART NUMBER AND THE PRODUCT SERIAL NUMBER - FROM THE LABEL TO PROTECT YOUR WARRANTY ALWAYS USE GENUINE HI-FORCE PARTS.

**ORIENTATION OF TRANSFER PLATE**

FOR GALTECH GEAR PUMPS, LOOK FOR "GALTECH" USUALLY FOUND ON THE SIDE OF THE BODY

FOR BONDIOLI GEAR PUMPS, LOOK FOR "BONDIOLI & PAVESI" USUALLY FOUND ON THE BOTTOM OF THE BODY



REVISION

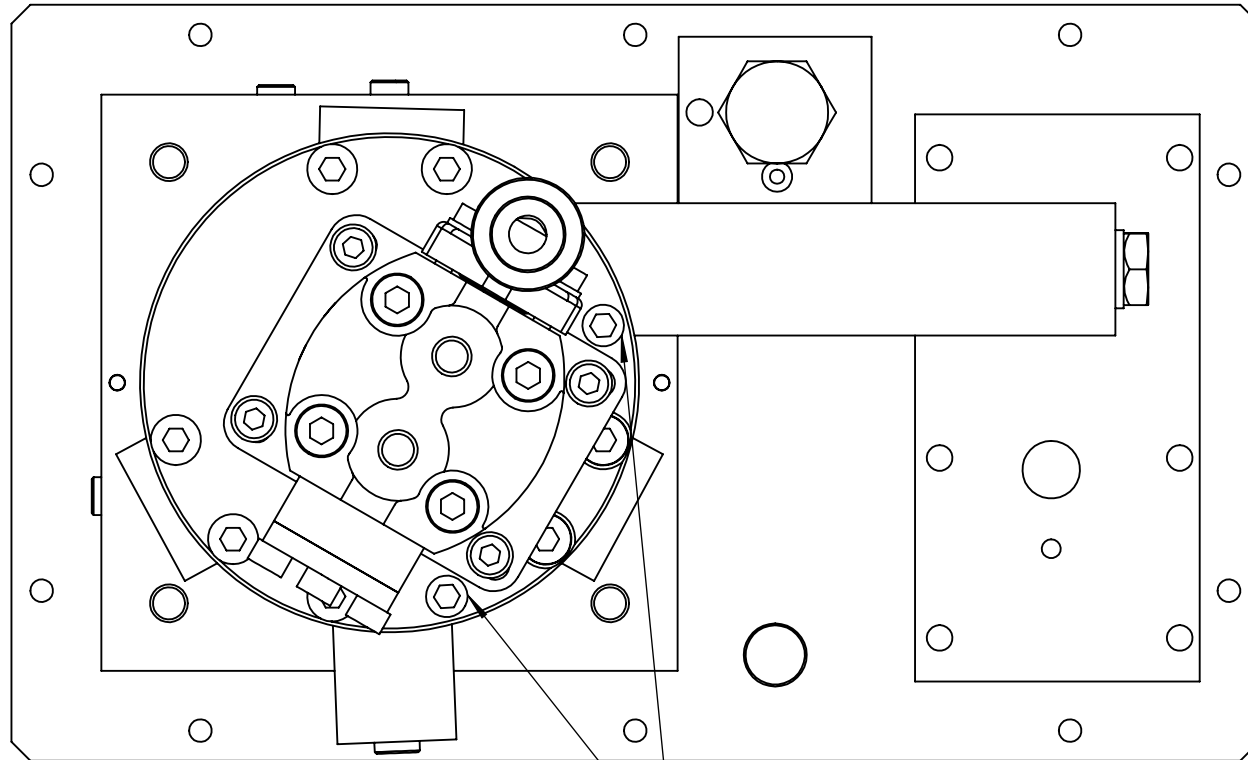
1	5939
2	
3	
4	
5	
6	
7	
8	
9	
10	
11	
12	
13	
14	
15	
16	
17	
18	
19	
20	

**IMPORTANT**  
WHEN ORDERING SPARES YOU MUST STATE THE FULL PART NUMBER AND THE PRODUCT SERIAL NUMBER - FROM THE LABEL TO PROTECT YOUR WARRANTY ALWAYS USE GENUINE HI-FORCE PARTS.

REVISION

1	5939
2	
3	
4	
5	
6	
7	
8	
9	
10	
11	
12	
13	
14	
15	
16	
17	
18	
19	
20	

**TYPE300-24: BOTTOM VIEW**

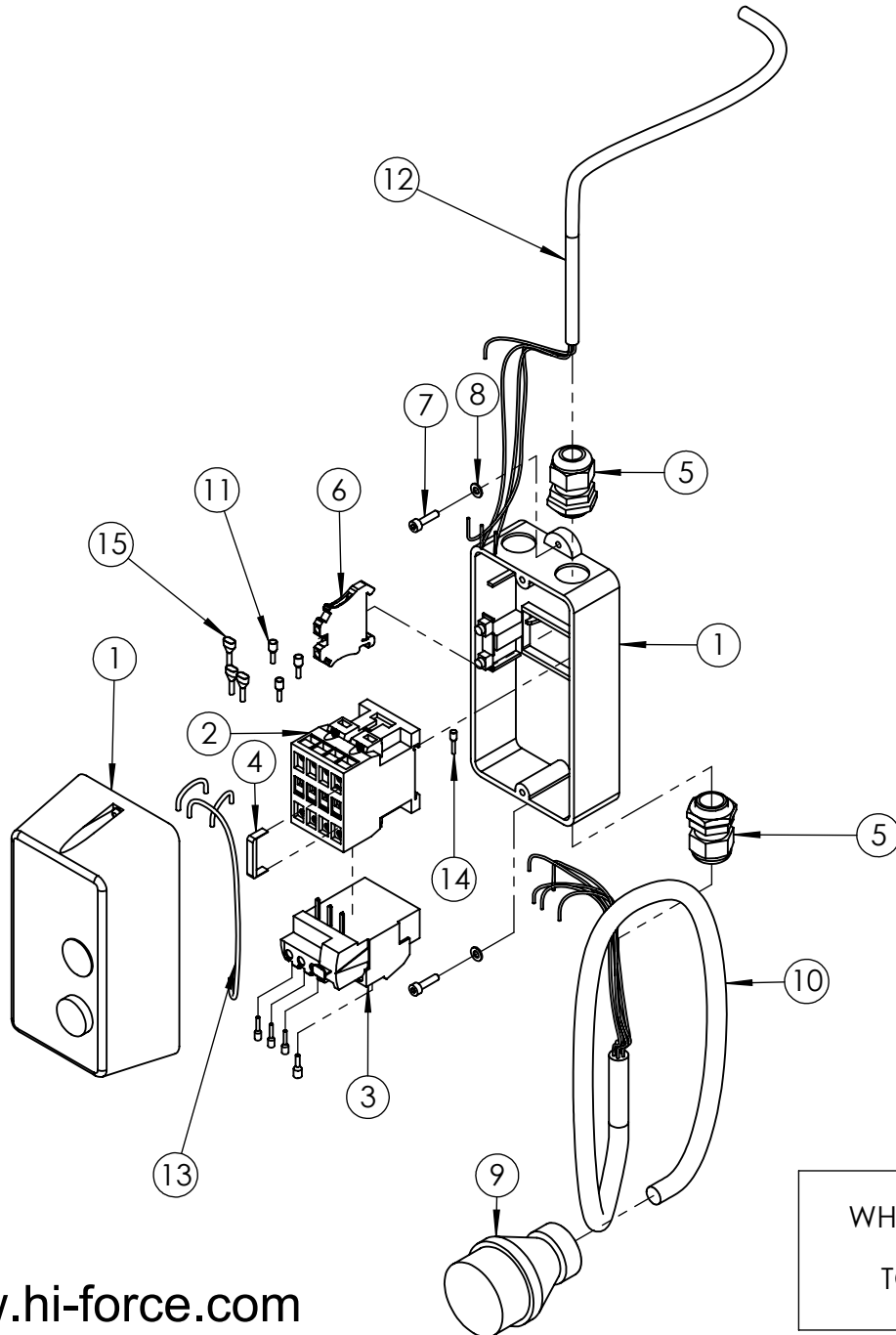


REMOVE THE TWO CURRENT SCREWS FROM THESE TWO POSITIONS AND REPLACE WITH ITEM NO. 10 (FAS008SP080)

**IMPORTANT**

WHEN ORDERING SPARES YOU MUST STATE THE FULL PART NUMBER AND THE PRODUCT SERIAL NUMBER - FROM THE LABEL TO PROTECT YOUR WARRANTY ALWAYS USE GENUINE HI-FORCE PARTS.





ITEM NO.	PART NUMBER	DESCRIPTION	QTY.	SPARE PARTS	REVISION
					1 5825
1	EMC000EF001	ENCLOSURE WITH PUSH BUTTONS P1MT	1		2
2	EMC415KE001	CONTACTOR 415 V	1		3
3	EMC415RD001	THERMAL OVERLOAD RELAY 4-6 AMPS	1		4
4	EMC110XF001	BRIDGING BAR	1		5
5	NUC020LS002	GLAND 6-12MM	2		6
6	EMC000NZ001	TERMINAL BLOCK	1		7
7	BLC004JD016	M4 x 16 mm HEX SOCKET CAP HEAD SCREW	2		8
8	WAC004YB000	M4 WASHER ST	2		9
9	MCC415EP002	415V, 32A ELECTRICAL PLUG	1		10
10	CEC150EC001	5 CORE CABLE 1.5 mm <sup>2</sup> H07RN-F 5G1.5	1		11
11	CEC250SX001	BOOTLACE FERRULE (INSULATED) 2.5mm GREY	4		12
12	CEC150DC000	4 CORE CABLE 1.5 mm <sup>2</sup> H07RN-F 4G1.5	1		13
13	CEC250AC000	SINGLE CORE TRI-RATED CABLE 2.5mm <sup>2</sup> BLACK H05V2-K / H07V2-K	1		14
14	CEC150SX001	BOOTLACE FERRULE (INSULATED) 1.5mm	4		15
15	CEC250SX002	TWIN BOOTLACE FERRULE 2.5 mm <sup>2</sup>	3		16
					17
					18
					19
					20

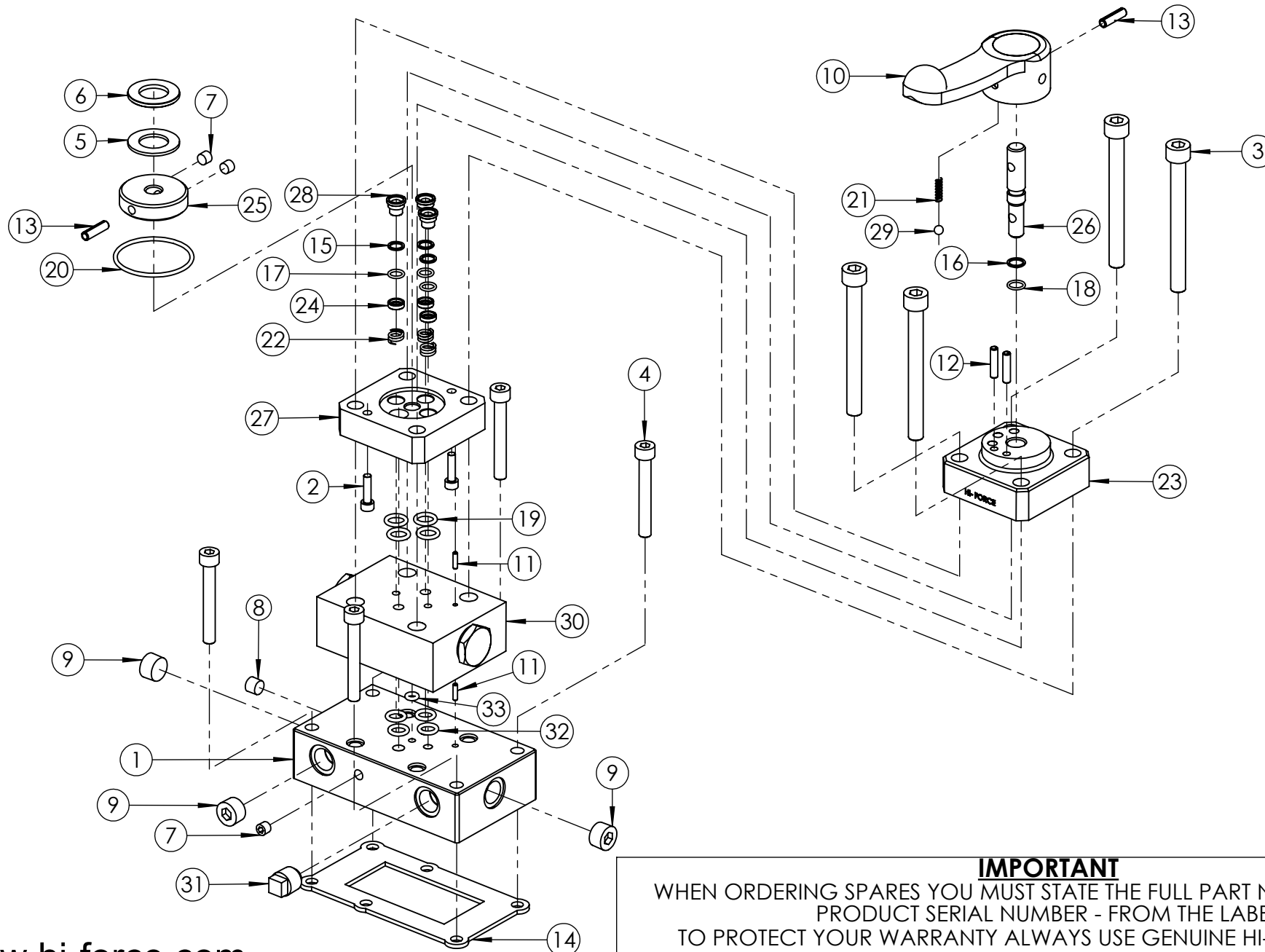
**NOTE:**

- ALL PARTS ARE AVAILABLE TO BE ORDERED AS SPARE PARTS (UNLESS MARKED WITH X).

**IMPORTANT**

WHEN ORDERING SPARES YOU MUST STATE THE FULL PART NUMBER AND THE PRODUCT SERIAL NUMBER - FROM THE LABEL TO PROTECT YOUR WARRANTY ALWAYS USE GENUINE HI-FORCE PARTS.

2
3
4
5
6
7
8
9
10
11
12
13
14
15
16
17
18
19
20



**IMPORTANT**  
WHEN ORDERING SPARES YOU MUST STATE THE FULL PART NUMBER AND THE PRODUCT SERIAL NUMBER - FROM THE LABEL TO PROTECT YOUR WARRANTY ALWAYS USE GENUINE HI-FORCE PARTS.

ITEM NO.	PART NUMBER	DESCRIPTION	QTY.	SPARE PARTS	SERVICE PARTS
1	VFC010BF012	VALVE MOUNTING BLOCK	1		
2	BLC005HU020	M5 x 20 mm HEX SOCKET CAP HEAD SCREW	2		
3	BLC010LC100	M10 x 100 mm HEX SOCKET CAP HEAD SCREW	4		
4	BLC008KC060	M8 x 60 mm HEX SOCKET CAP HEAD SCREW	4		
5	BSC035NA001	NEEDLE BEARING	1		
6	BSC035NA002	HOUSING WASHER	1		
7	FPC002PN001	1/16" x 7/8" NPT SOCKET PLUG	3		
8	FPC003PN001	1/8" x 3/4" NPT TAPER DRY SEAL PRESS PLUG	1		
9	FPC010PN002	3/8" X 7/8" NPT SOCKET PLUG	3		
10	HLC012LP002	HANDLE	1		
11	PCC003RB006	Ø3 x 12 mm SELLOCK PIN	2		
12	PCC005RD002	Ø5 x 22 mm SPIROL PIN	2		
13	PCC006RD001	Ø6 X 22 mm SPIROL PIN	2		
14	SEC003KT001	VALVE GASKET	1		✓
15	SEC011BA001	BACK UP RING	3		✓
16	SEC012BA002	BACK UP RING	1		✓
17	SEC011RA001	O-RING - I.D. 8.10 mm, C.S. 1.6 mm, NITRILE 90	3		✓
18	SEC012RA003	O-RING - I.D. 9 mm, C.S. 1.50 mm, NITRILE 70	1		✓
19	SEC016RA002	O-RING - I.D. 10.77 mm, C.S. 2.62 mm, NITRILE 70	4		✓
20	SEC049RF001	O-RING - I.D. 48.90 mm, C.S. 2.62 mm, NITRILE 90	1		✓
21	SPC005KA001	SPRING	1		
22	SPC010CA001	SPRING	3		
23	VFC000BD003	VALVE BODY	1		
24	VFC000SC001	SHEAR SEAL COLLAR	3		
25	VFC000SQ002	VALVE ROTOR	1		

ITEM NO.	PART NUMBER	DESCRIPTION	QTY.	SPARE PARTS	SERVICE PARTS	REVISION
26	VFC000SR002	SPINDLE	1			1 5717
27	VFC000ST001	SHEAR SEAL PLATE	1			2
28	VFC000SU001	SHEAR SEAL	3			3
29	BAC006SN000	Ø6 mm STEEL BALL	1			4
30	<b>VA305</b>	SINGLE PO CHECK VALVE	1			5
31	BPC010SP004	3/8 NPT PLASTIC BLANKING PLUG (RED)	1			6
32	SEC014RA001	O-RING - I.D. 9.19mm, C.S. 2.62mm, NITRILE 90	4		✓	7
33	SEC010RF002	O-RING - I.D. 4.42 mm, C.S. 2.62 mm, NITRILE 70	1		✓	8
						9
						10
						11
						12
						13
						14
						15
						16
						17
						18
						19
						20

**NOTE:**

- ALL PARTS ARE AVAILABLE TO BE ORDERED AS SPARE PARTS (UNLESS MARKED WITH **X**).

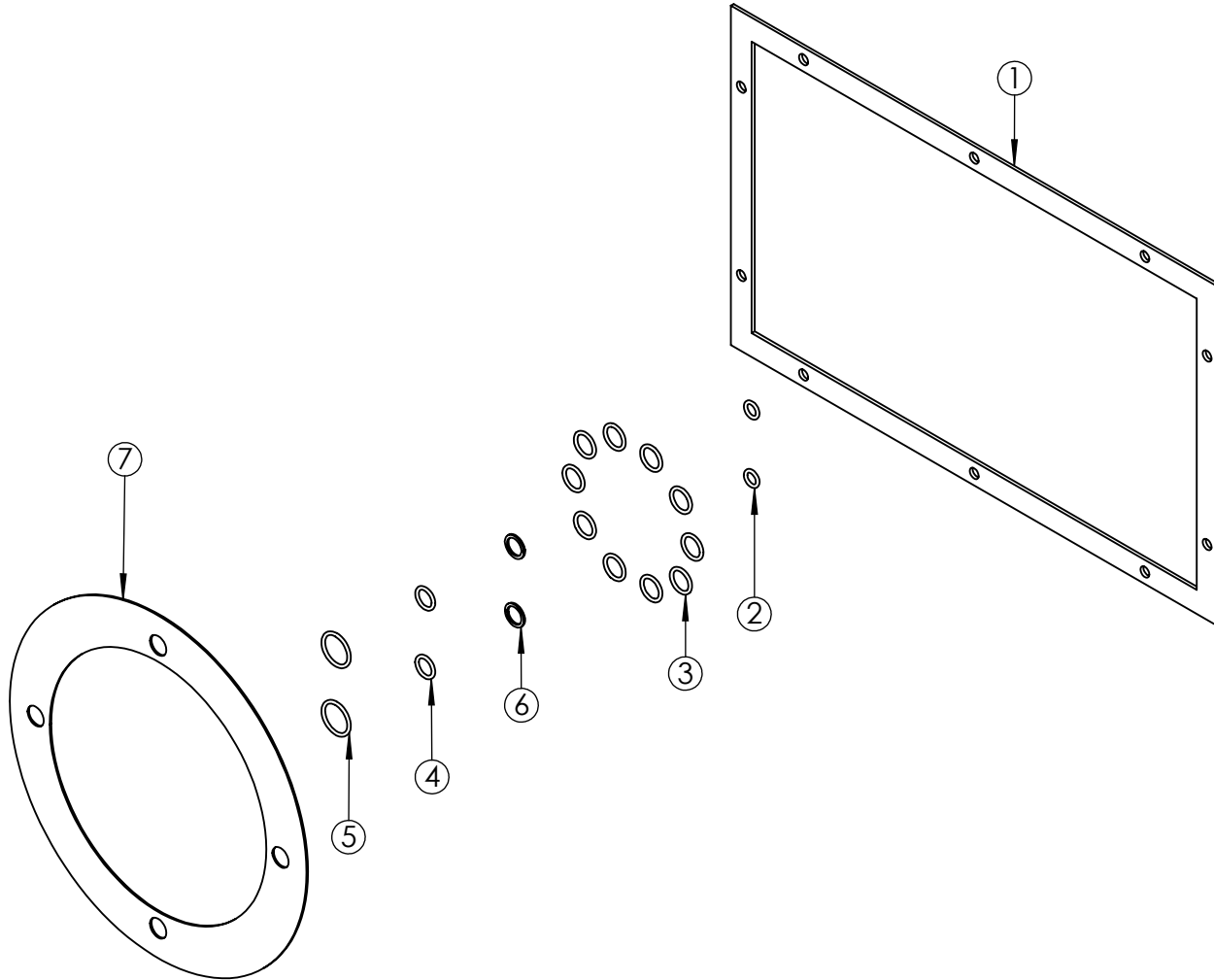
- ONLY PARTS MARKED WITH **✓** ARE AVAILABLE AS BOTH SPARE PARTS OR SERVICEABLE PARTS, FROM **DCV-M1 : SERVICE KIT (3 & WAY MANUAL VALVES)**. (REFER TO **DCV-M1** EVD FOR FULL PARTS LIST).

- IF ITEM NO. 30 IS ORDERED AS A SPARE PART, THIS ALREADY COMES WITH ITEM NO.s 32 & 33. THEREFORE THESE ARE NOT REQUIRED TO BE ORDERED SEPERATELY.

**IMPORTANT**

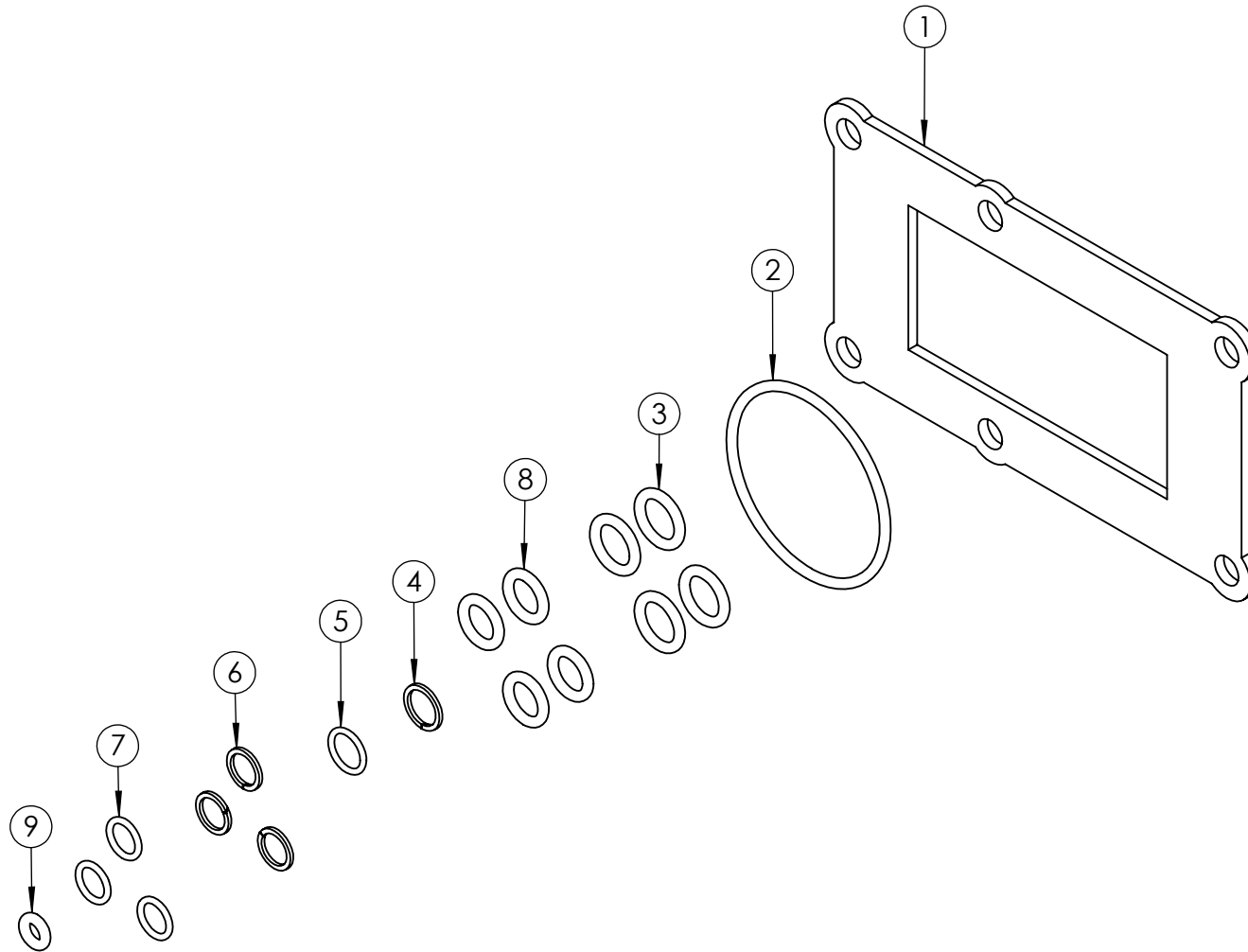
WHEN ORDERING SPARES YOU MUST STATE THE FULL PART NUMBER AND THE PRODUCT SERIAL NUMBER - FROM THE LABEL TO PROTECT YOUR WARRANTY ALWAYS USE GENUINE HI-FORCE PARTS.

ITEM NO.	PART NUMBER	DESCRIPTION	QTY.	REVISION
1	15482	TANK GASKET	1	1 5717
2	SEC010RA001	O-RING - I.D. 6.35 mm, C.S. 1.78 mm, NITRILE 70	2	2 5939
3	SEC014RF001	O-RING - I.D. 10.82 mm, C.S. 1.78 mm, NITRILE 90	10	3
4	SEC013RA001	O-RING - I.D. 9.25mm, C.S. 1.78mm, NITRILE 90	2	4
5	SEC019RF002	O-RING - I.D. 15.60, C.S. 1.78mm, NITRILE 90	2	5
6	SEC013BA001	BACK-UP RING - PTFE, SOLID SPLIT	2	6
7	SEC001KT003	GASKET	1	7
				8
				9
				10
				11
				12
				13
				14
				15
				16
				17
				18
				19
				20



**IMPORTANT**

WHEN ORDERING SPARES YOU MUST STATE THE FULL PART NUMBER AND THE PRODUCT SERIAL NUMBER - FROM THE LABEL TO PROTECT YOUR WARRANTY ALWAYS USE GENUINE HI-FORCE PARTS.



ITEM NO.	PART NUMBER	DESCRIPTION	QTY.	REVISION
1	SEC003KT001	VALVE GASKET	1	1 5717
2	SEC049RF001	O-RING - I.D. 48.90 mm, C.S. 2.62 mm, NITRILE 90	1	2
3	SEC016RA002	O-RING - I.D. 10.77 mm, C.S. 2.62 mm, NITRILE 70	4	3
4	SEC012BA002	BACK UP RING	1	4
5	SEC012RA003	O-RING - I.D. 9 mm, C.S. 1.50 mm, NITRILE 70	1	5
6	SEC011BA001	BACK UP RING	3	6
7	SEC011RA001	O-RING - I.D. 8.10 mm, C.S. 1.6 mm, NITRILE 90	3	7
8	SEC014RA001	O-RING - I.D. 9.19mm, C.S. 2.62mm, NITRILE 90	4	8
9	SEC010RF002	O-RING - I.D. 4.42 mm, C.S. 2.62 mm, NITRILE 70	1	9
				10
				11
				12
				13
				14
				15
				16
				17
				18
				19
				20

**IMPORTANT**

WHEN ORDERING SPARES YOU MUST STATE THE FULL PART NUMBER AND THE PRODUCT SERIAL NUMBER - FROM THE LABEL TO PROTECT YOUR WARRANTY ALWAYS USE GENUINE HI-FORCE PARTS.