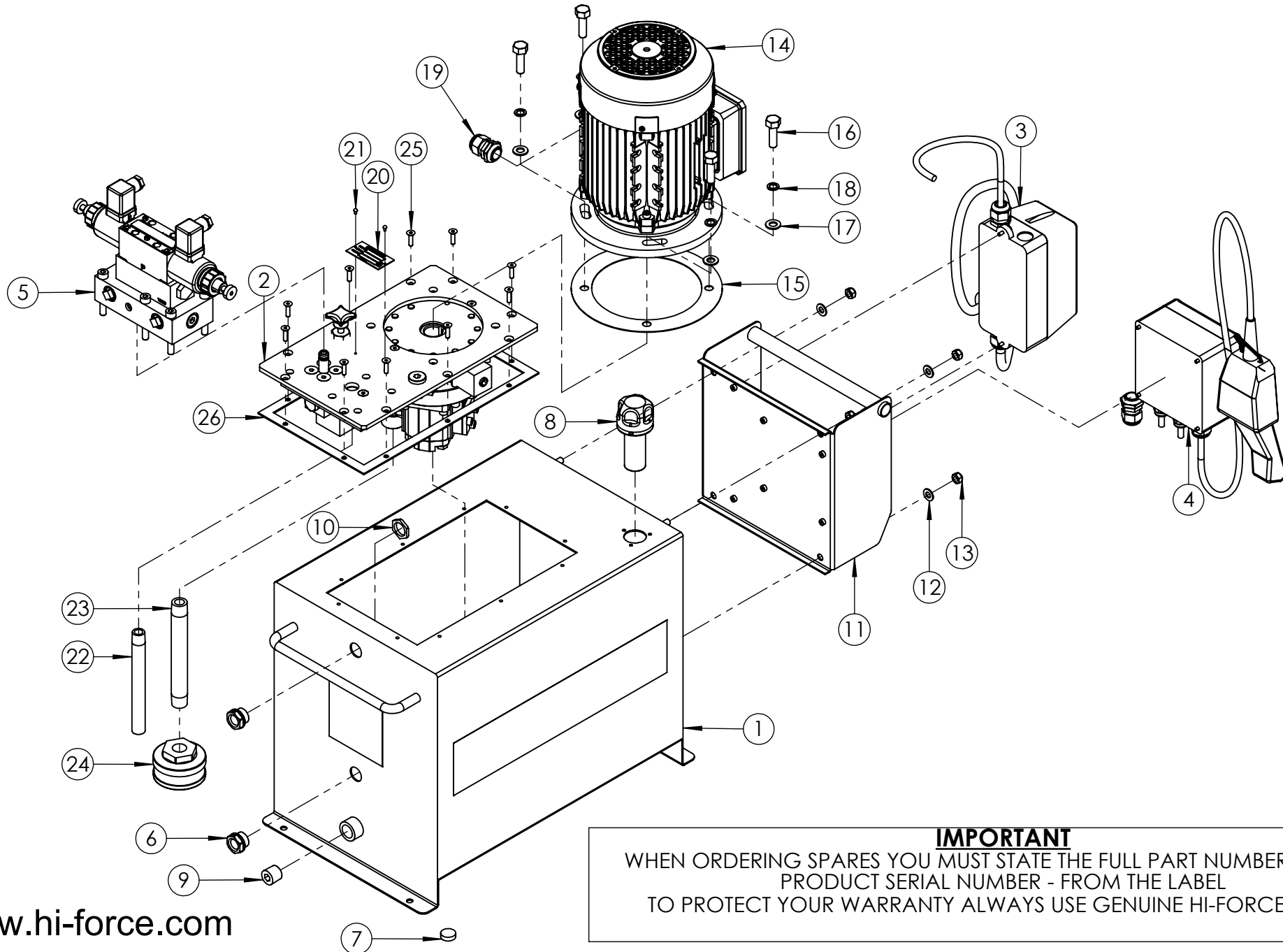


REVISION

1	5825
<b>2</b>	6127
3	
4	
5	
6	
7	
8	
9	
10	
11	
12	
13	
14	
15	
16	
17	
18	
19	
20	



**IMPORTANT**  
WHEN ORDERING SPARES YOU MUST STATE THE FULL PART NUMBER AND THE  
PRODUCT SERIAL NUMBER - FROM THE LABEL  
TO PROTECT YOUR WARRANTY ALWAYS USE GENUINE HI-FORCE PARTS.

ITEM NO.	PART NUMBER	DESCRIPTION	QTY.	SPARE PARTS	SERVICE PARTS
1	TAC040AS004	40 L TANK	1		
2	<b>TYPE300-24</b>	300 SERIES PUMP UNIT	1		
3	<b>EMA415UD001</b>	400 V MOTOR STARTER ASSEMBLY	1		
4	<b>EMA024TB001</b>	POWER SUPPLY ASSY	1		
5	<b>PMV4SD</b>	4 WAY, ELECTRICALLY OPERATED, PUMP MOUNTED DIRECTIONAL CONTROL VALVE	1		
6	BLC021YT010	SIGHT GLASS HGF.13 BLACK OIL LEVEL INDICATOR	2		
7	DCSF00328	DOUBLE SIDED MAGNET	1		
8	FFC028PZ001	FILLER/BREATHER	1		
9	FPC013PC001	1/2" BSP PLUG - HEX SOCKET	1		
10	NUC021-B000	1/2" BSP LOCK NUT	2		
11	TAC000FS002	MODULAR ELECTRIC TRAY	1		
12	WAC008AB000	M8 PLAIN WASHER	4		
13	NUC008KC000	M8 NYLOC NUT	4		
14	EM415-3.0-2LAF	3kW 2 POLE IE3 230/400V 3/50Hz IMB5 FLANGE MOUNT	1		
15	SEC001KT003	GASKET	1		✓
16	BLC010LB035	M10 x 35 mm HEX HEAD BOLT, ZINC PLATED	4		
17	WAC010AB000	M10 ZINC PLATED FLAT WASHER	4		
18	WAC010BZ000	M10 SPRING WASHER	4		
19	NUC020LS002	GLAND 6-12MM	1		
20	AAN000UP001	60 x 30 mm UNIVERSAL NAME PLATE	1	x	
21	FAS002HZ001	NO.4 x 3/16 HAMMER DRIVE SCREW	2		
22	TAC000PA001	160 mm LONG SUCTION PIPE	1		
23	FPC013AC002	FEED PIPE	1		
24	FFC045MZ001	FILTER	1		
25	BLC005HF020	M5 x 20 mm HEX SOCKET COUNTERSUNK SCREW	10		
26	15482	TANK GASKET	1		✓
*	SFC065FA002	BLANKING PLATE	1		

REVISION	
1	5825
2	6127
3	
4	
5	
6	
7	
8	
9	
10	
11	
12	
13	
14	
15	
16	
17	
18	
19	
20	

**NOTE:**

- ALL PARTS ARE AVAILABLE TO BE ORDERED AS SPARE PARTS (UNLESS MARKED WITH **x**)

- ONLY PARTS MARKED WITH **✓** ARE AVAILABLE AS BOTH SPARE PARTS OR SERVICEABLE PARTS, FROM **HEP-SK1 PUMP SERVICE KIT**. (REFER TO HEP-SK1: PUMP SERVICE KIT EVD FOR FULL PARTS LIST)

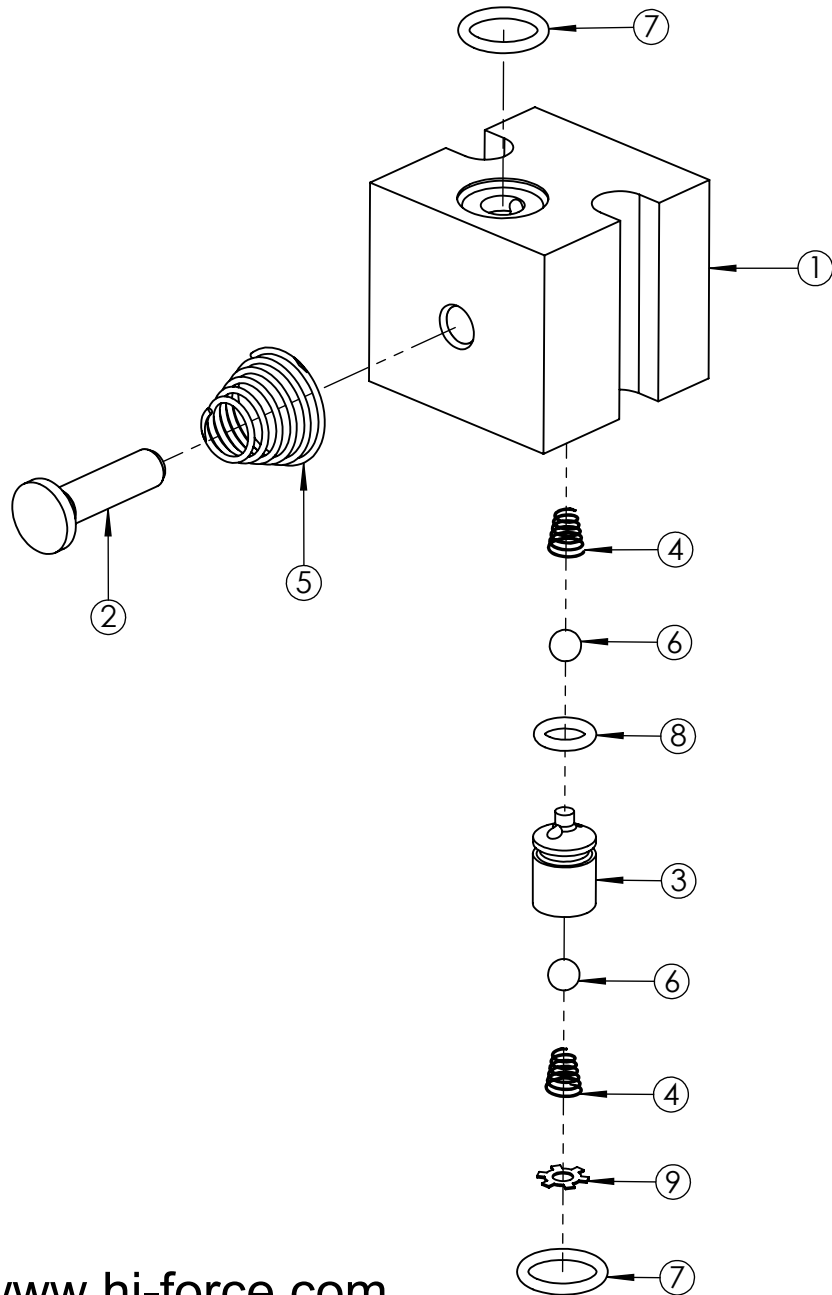
- FOR SUB ASSEMBLIES (ITEM NO.S 2, 3, 4 & 5) REFER TO THEIR INDIVIDUAL EVD's.

**IMPORTANT**

WHEN ORDERING SPARES YOU MUST STATE THE FULL PART NUMBER AND THE PRODUCT SERIAL NUMBER - FROM THE LABEL TO PROTECT YOUR WARRANTY ALWAYS USE GENUINE HI-FORCE PARTS.







ITEM NO.	PART NUMBER	DESCRIPTION	QTY.	SPARE PARTS	SERVICE PARTS	REVISION
1	15494	PISTON BLOCK	1	X		1 5717
2	15495	PISTON	1	X		2 5866
3	15496	VALVE SEAT	1	X		3
4	15509	SUCTION/DELIVERY SPRING	2	X		4
5	15508	PUMP SPRING	1	X		5
6	BAC005SN000	Ø5 mm STEEL BALL GRADE 100	2	X		6
7	SEC014RF001	O-RING - I.D. 10.82 mm, C.S. 1.78 mm, NITRILE 90	2		✓	7
8	SEC010RA001	O-RING - I.D. 6.35 mm, C.S. 1.78 mm, NITRILE 70	1	X		8
9	STC008SA001	N1305-0031 SELF LOCKING RING	1	X		9
						10
						11
						12
						13
						14
						15
						16
						17
						18
						19
						20

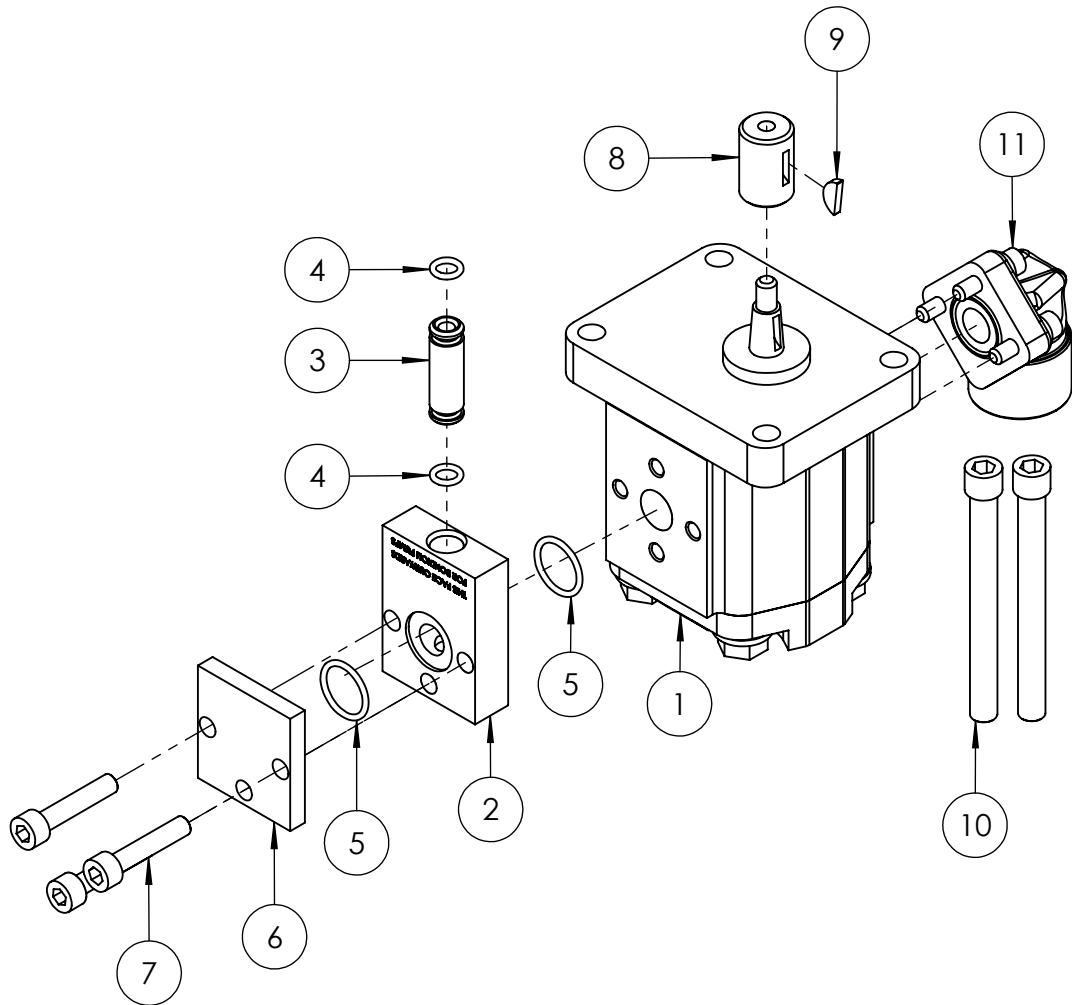
**NOTE:**

- ALL PARTS ARE AVAILABLE TO BE ORDERED AS SPARE PARTS (UNLESS MARKED WITH X).

- ONLY PARTS MARKED WITH ✓ ARE AVAILABLE AS BOTH SPARE PARTS OR SERVICEABLE PARTS, FROM **HEP-SK1 PUMP SERVICE KIT**. (REFER TO HEP-SK1: PUMP SERVICE KIT EVD FOR FULL PARTS LIST).

**IMPORTANT**

WHEN ORDERING SPARES YOU MUST STATE THE FULL PART NUMBER AND THE PRODUCT SERIAL NUMBER - FROM THE LABEL TO PROTECT YOUR WARRANTY ALWAYS USE GENUINE HI-FORCE PARTS.



ITEM NO.	PART NUMBER	DESCRIPTION	QTY.	SPARE PARTS	SERVICE PARTS	REVISION
1	GP60	GEAR PUMP	1			1 5939
2	PMC000TM001	TRANSFER PLATE	1			2
3	15510C	CONNECTOR TUBE	1			3
4	SEC010RA001	O-RING - I.D. 6.35 mm, C.S. 1.78 mm, NITRILE 70	2		✓	4
5	SEC019RF002	O-RING - I.D. 15.60, C.S. 1.78mm, NITRILE 90	2		✓	5
6	PMC000XM001	SEALING PLATE	1			6
7	BLC006JD030	M6 x 30 mm HEX SOCKET CAP HEAD SCREW	3			7
8	15507	ADAPTOR	1			8
9	PCC002WC001	KEY TO FIT 200/300 PUMPS	1			9
10	FAS008SP080	M8 X 80 HEX SOCKET REDUCED CAP HEAD SCREW (FULLY THREADED)	2			10
11	FPA013DC001	GEAR PUMP ELBOW (INC WITH GEAR PUMP)	1	x		11

**NOTE:**

- ALL PARTS ARE AVAILABLE TO BE ORDERED AS SPARE PARTS (UNLESS MARKED WITH X)
- ONLY PARTS MARKED WITH ✓ ARE AVAILABLE AS BOTH SPARE PARTS OR SERVICEABLE PARTS, FROM HEP-SK1 PUMP SERVICE KIT. (REFER TO HEP-SK1: PUMP SERVICE KIT EVD FOR FULL PARTS LIST)
- THE ORIENTATION OF ITEM NO. 2 (PMC000TM001) IS DETERMINED BY THE BRAND OF THE GP60 GEAR PUMP SUPPLIED (REFER TO SHEET 2 FOR FURTHER DETAILS)
- ITEM NO. 10 (FAS008SP080) ARE TO REPLACE TWO SCREWS (BLC008KC080) ON THE TYPE300-24, PRIOR TO FITTING PMA060GZ001 (REFER TO SHEET 3 FOR FURTHER DETAILS)
- INDIVIDUAL ITEMS ARE NOT AVAILABLE AS SPARE PARTS FOR HEP PUMPS WITH SERIAL NUMBERS EARLIER THAN **BR9070**. GP60 GEAR PUMP ASSEMBLY (PMA060GZ001) WILL NEED TO BE ORDERED. INDIVIDUAL ITEMS APART FROM ITEM NO. 11 ARE AVAILABLE AS SPARE PARTS FOR HEP PUMPS WITH SERIAL NUMBERS ABOVE **BR9070**

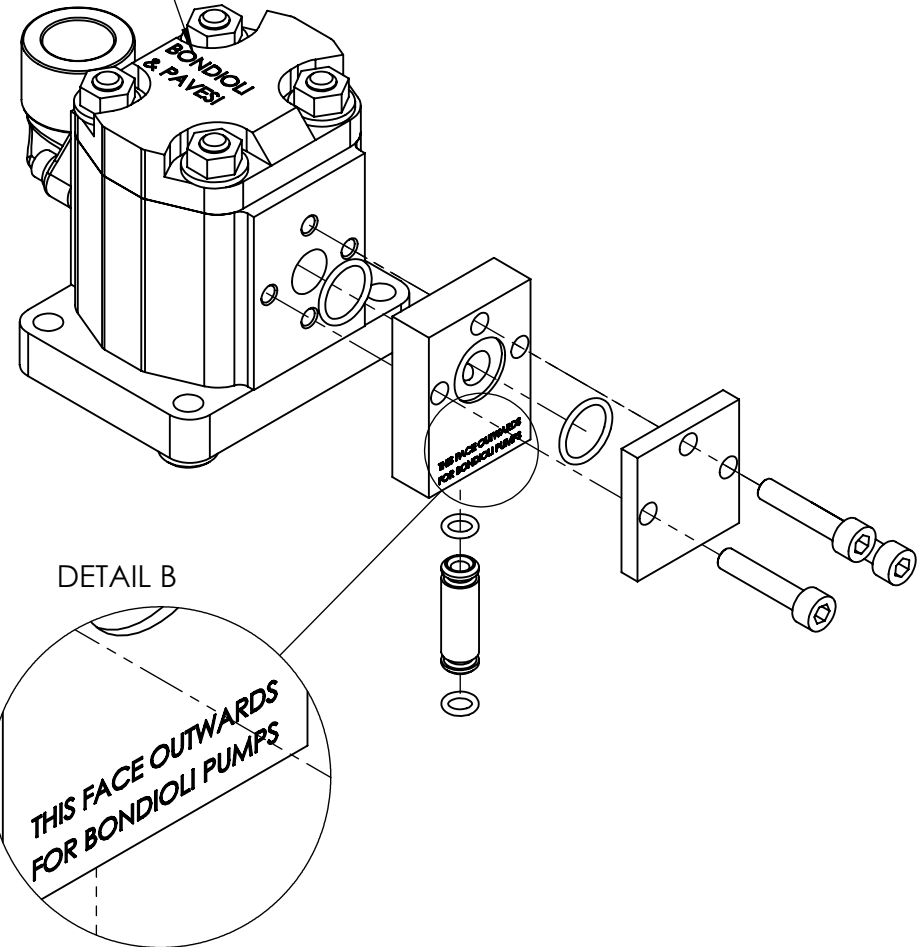
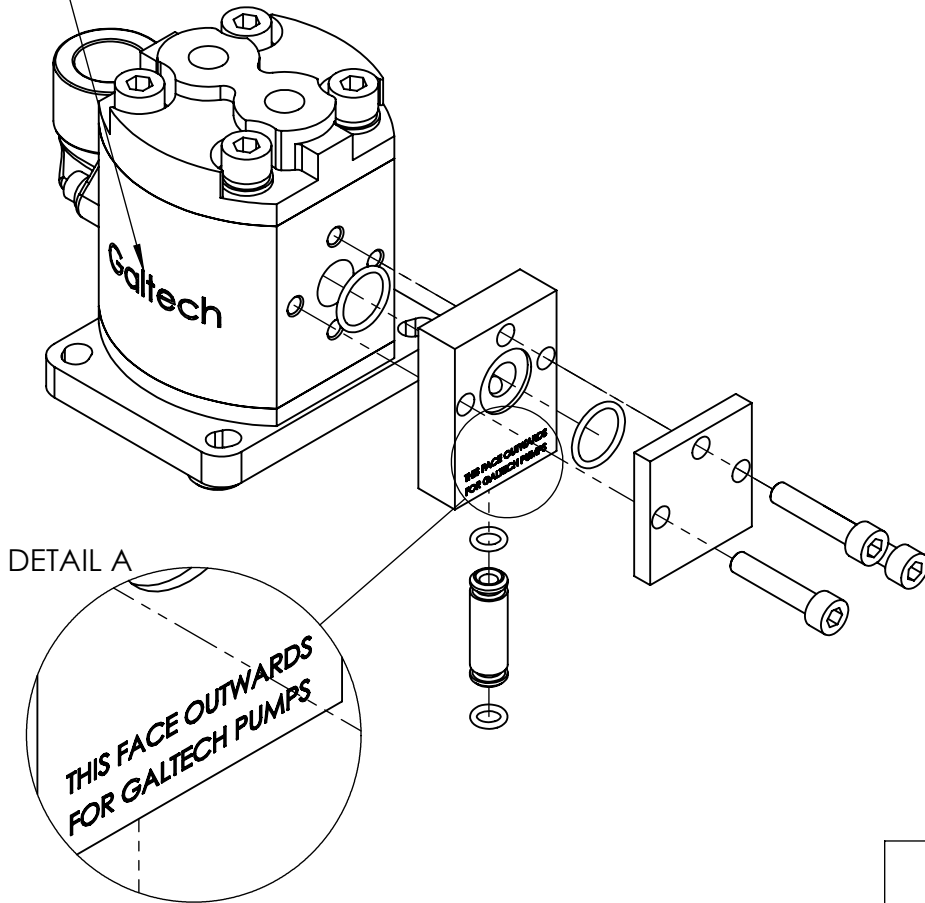
**IMPORTANT**

WHEN ORDERING SPARES YOU MUST STATE THE FULL PART NUMBER AND THE PRODUCT SERIAL NUMBER - FROM THE LABEL TO PROTECT YOUR WARRANTY ALWAYS USE GENUINE HI-FORCE PARTS.

**ORIENTATION OF TRANSFER PLATE**

FOR GALTECH GEAR PUMPS, LOOK FOR "GALTECH" USUALLY FOUND ON THE SIDE OF THE BODY

FOR BONDIOLI GEAR PUMPS, LOOK FOR "BONDIOLI & PAVESI" USUALLY FOUND ON THE BOTTOM OF THE BODY



REVISION

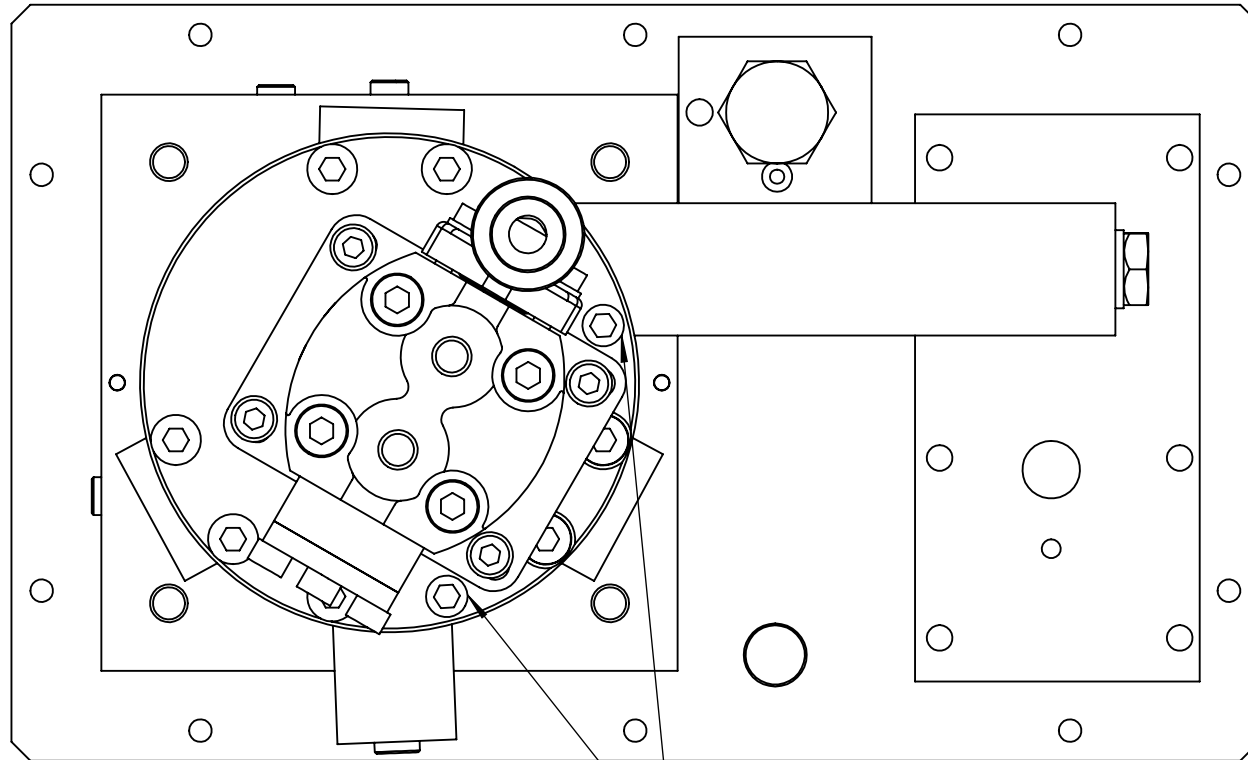
1	5939
2	
3	
4	
5	
6	
7	
8	
9	
10	
11	
12	
13	
14	
15	
16	
17	
18	
19	
20	

**IMPORTANT**  
WHEN ORDERING SPARES YOU MUST STATE THE FULL PART NUMBER AND THE PRODUCT SERIAL NUMBER - FROM THE LABEL TO PROTECT YOUR WARRANTY ALWAYS USE GENUINE HI-FORCE PARTS.

REVISION

1	5939
2	
3	
4	
5	
6	
7	
8	
9	
10	
11	
12	
13	
14	
15	
16	
17	
18	
19	
20	

**TYPE300-24: BOTTOM VIEW**

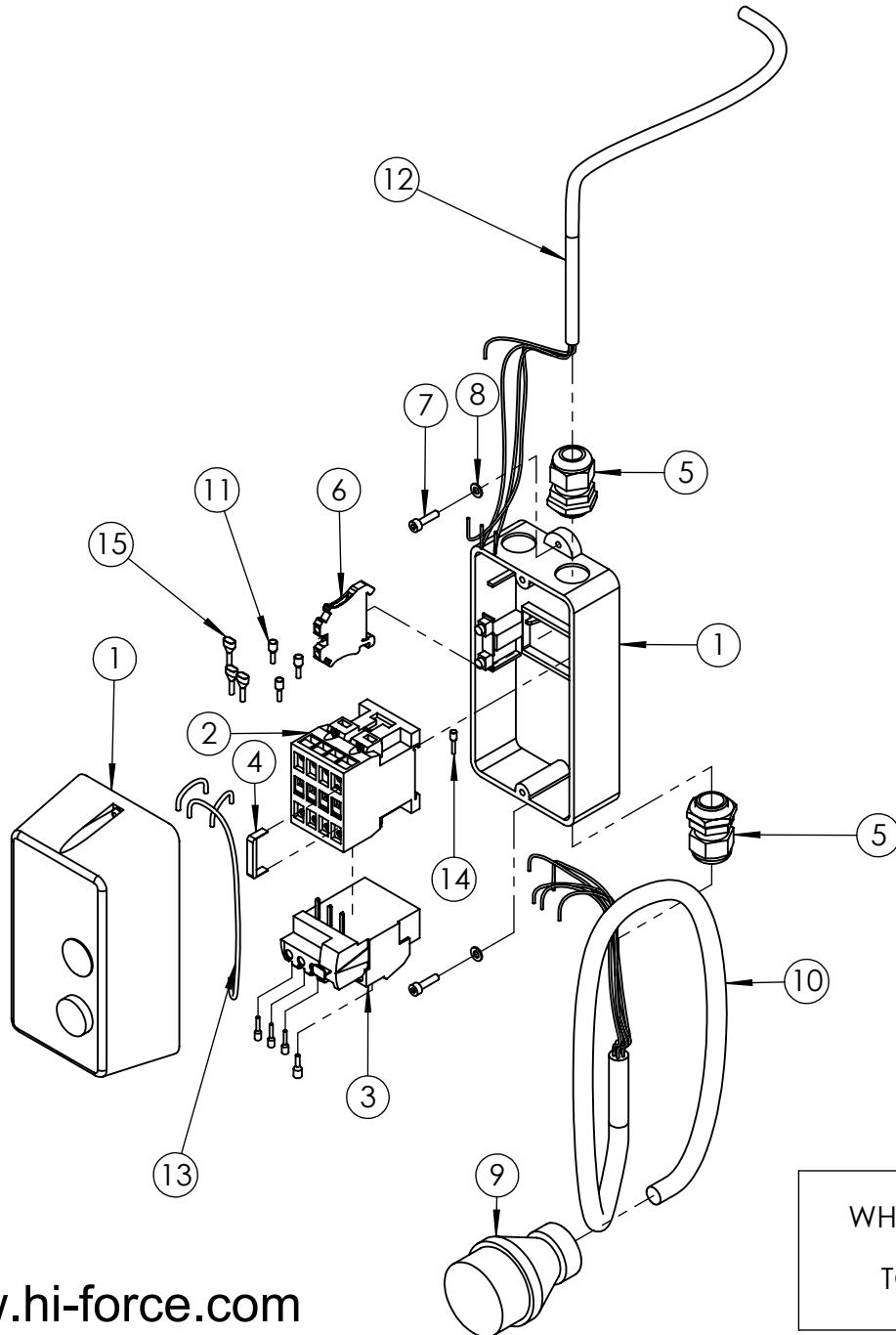


REMOVE THE TWO CURRENT SCREWS FROM THESE TWO POSITIONS AND REPLACE WITH ITEM NO. 10 (FAS008SP080)

**IMPORTANT**

WHEN ORDERING SPARES YOU MUST STATE THE FULL PART NUMBER AND THE PRODUCT SERIAL NUMBER - FROM THE LABEL TO PROTECT YOUR WARRANTY ALWAYS USE GENUINE HI-FORCE PARTS.





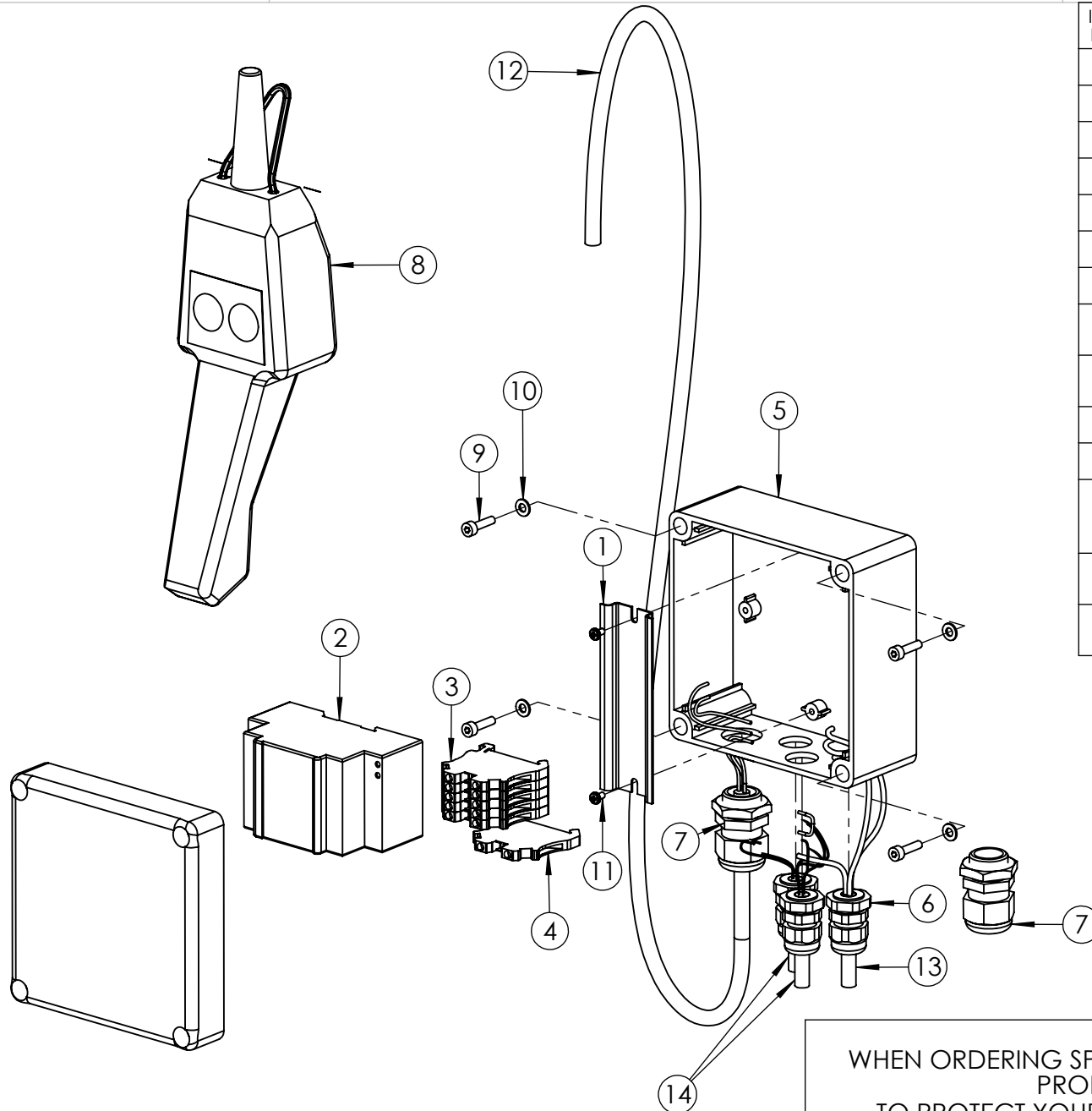
ITEM NO.	PART NUMBER	DESCRIPTION	QTY.	SPARE PARTS	REVISION
					1 5825
1	EMC000EF001	ENCLOSURE WITH PUSH BUTTONS P1MT	1		2
2	EMC415KE001	CONTACTOR 415 V	1		3
3	EMC415RD001	THERMAL OVERLOAD RELAY 4-6 AMPS	1		4
4	EMC110XF001	BRIDGING BAR	1		5
5	NUC020LS002	GLAND 6-12MM	2		6
6	EMC000NZ001	TERMINAL BLOCK	1		7
7	BLC004JD016	M4 x 16 mm HEX SOCKET CAP HEAD SCREW	2		8
8	WAC004YB000	M4 WASHER ST	2		9
9	MCC415EP002	415V, 32A ELECTRICAL PLUG	1		10
10	CEC150EC001	5 CORE CABLE 1.5 mm <sup>2</sup> H07RN-F 5G1.5	1		11
11	CEC250SX001	BOOTLACE FERRULE (INSULATED) 2.5mm GREY	4		12
12	CEC150DC000	4 CORE CABLE 1.5 mm <sup>2</sup> H07RN-F 4G1.5	1		13
13	CEC250AC000	SINGLE CORE TRI-RATED CABLE 2.5mm <sup>2</sup> BLACK H05V2-K / H07V2-K	1		14
14	CEC150SX001	BOOTLACE FERRULE (INSULATED) 1.5mm	4		15
15	CEC250SX002	TWIN BOOTLACE FERRULE 2.5 mm <sup>2</sup>	3		16
					17
					18
					19
					20

**NOTE:**

- ALL PARTS ARE AVAILABLE TO BE ORDERED AS SPARE PARTS (UNLESS MARKED WITH ✕).

**IMPORTANT**

WHEN ORDERING SPARES YOU MUST STATE THE FULL PART NUMBER AND THE PRODUCT SERIAL NUMBER - FROM THE LABEL TO PROTECT YOUR WARRANTY ALWAYS USE GENUINE HI-FORCE PARTS.



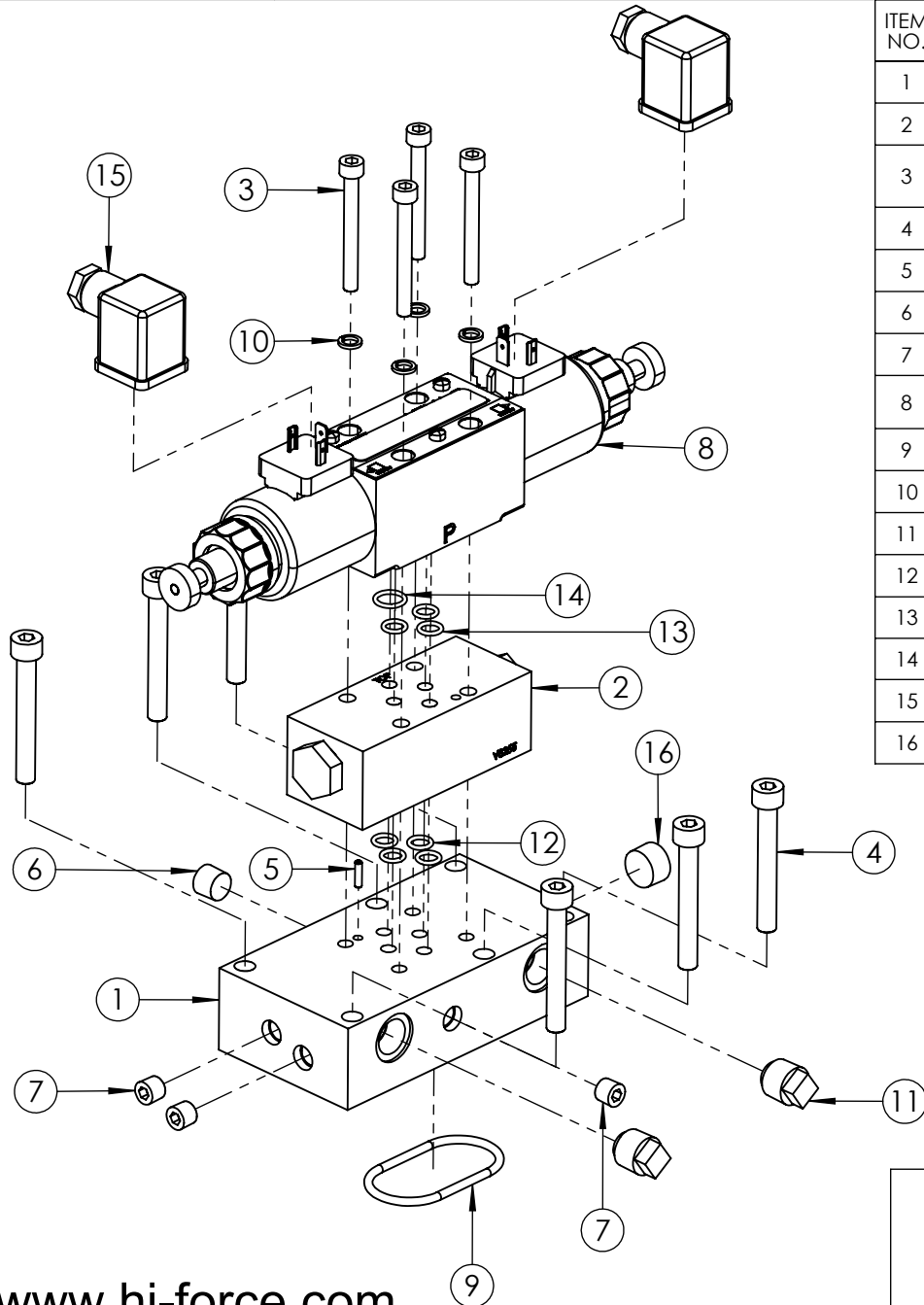
ITEM NO.	PART NUMBER	DESCRIPTION	QTY.	SPARE PARTS	REVISION
1	EMC000XZ001	DIN RAIL	1		1 5717
2	EMC024TB001	POWER SUPPLY 24 V DC	1		2
3	EMC000NZ001	TERMINAL BLOCK	5		3
4	EMC000NZ002	EARTH TERMINAL BLOCK	1		4
5	EMC024EB002	DRILLED ENCLOSURE	1		5
6	NUC016LS001	M16 CABLE GLAND	3		6
7	NUC020LS002	GLAND 6-12MM	2		7
8	EMC000VZ002	HAND PENDANT (PENDANT ONLY, NO CABLE)	1		8
9	BLC004JD016	M4 x 16 mm HEX SOCKET CAP HEAD SCREW	4		9
10	WAC004YB000	M4 WASHER ST	4		10
11	FAS003TV001	M3 x 5 FORM SCREW	2		11
12	CEC150DC000	4 CORE CABLE 1.5 mm2 H07RN-F 4G1.5	1		12
13	CEC150CC000	3 CORE 1.5mm CABLE	1		13
14	CEC075CC000	3 CORE 0.75mm CABLE	2		14

**NOTE:**

- ALL PARTS ARE AVAILABLE TO BE ORDERED AS SPARE PARTS (UNLESS MARKED WITH **X**).

**IMPORTANT**

WHEN ORDERING SPARES YOU MUST STATE THE FULL PART NUMBER AND THE PRODUCT SERIAL NUMBER - FROM THE LABEL TO PROTECT YOUR WARRANTY ALWAYS USE GENUINE HI-FORCE PARTS.



ITEM NO.	PART NUMBER	DESCRIPTION	QTY.	SPARE PARTS	SERVICE PARTS
1	VFC010BT003	VALVE BASE	1		
2	<b>V-8255</b>	CHECK VALVE	1		
3	BLC006FC055	1/4" x 2 1/4" UNC HEX SOCKET CAP HEAD SCREW	4		
4	BLC008KC060	M8 x 60 mm HEX SOCKET CAP HEAD SCREW	6		
5	PCC003RB006	Ø3 x 12 mm SELLOCK PIN	1		
6	FPC006PN002	1/4 NPT x 7/8 TAPER PLUG	1		
7	FPC003PN001	1/8" x 3/4" NPT TAPER DRY SEAL PRESS PLUG	3		
8	<b>VFA000CE005</b>	DIRECTIONAL CONTROL VALVE - TANDEM CENTRE 24V DC	1		
9	SEC057RA001	O-RING - I.D. 50.39 mm, C.S. 3.53 mm	1		✓
10	WAC006BC001	M6 SPRING ZINC WASHER (SQUARE SECTION)	4		
11	BPC010SP004	3/8 NPT PLASTIC BLANKING PLUG (RED)	2		
12	SEC011RF001	O-RING, I.D. 7.66 mm, C.S. 1.78 mm, NITRILE 90	4		✓
13	SEC011RF002	O-RING - I.D. 7.66 mm, C.S. 1.78 mm, VITON 90 (BROWN)	3		✓
14	SEC014RF002	O-RING - I.D. 10.82 mm C.S. 1.78 mm, VITON 90 (BROWN)	1		✓
15	EMC240NE001	BLACK RECTANGULAR POWER CONNECTOR	2		
16	FPC010PN002	3/8" X 7/8" NPT SOCKET PLUG	1		

REVISION	
1	5717
<b>2</b>	<b>6165</b>
3	
4	
5	
6	
7	
8	
9	
10	
11	
12	
13	
14	
15	
16	
17	
18	
19	
20	

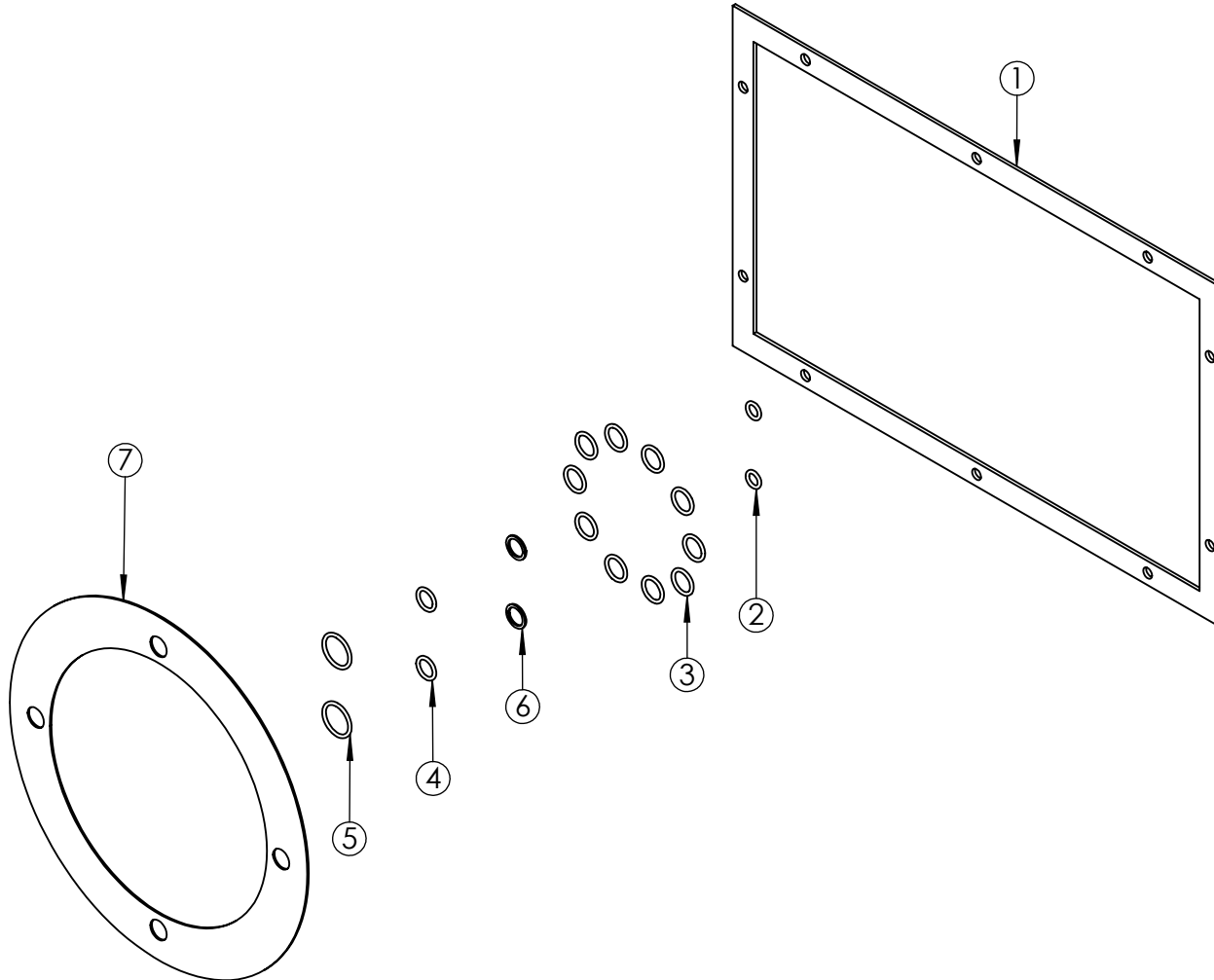
**NOTE:**

- ALL PARTS ARE AVAILABLE TO BE ORDERED AS SPARE PARTS (UNLESS MARKED WITH X).
- ONLY PARTS MARKED WITH ✓ ARE AVAILABLE AS BOTH SPARE PARTS OR SERVICEABLE PARTS, FROM **DCV-S1: SERVICE KIT (SOLENOID VALVE)** (REFER TO DCV-S1 EVD FOR FULL PARTS LIST).
- IF ITEM NO. 2 IS ORDERED AS A SPARE PART, THIS ALREADY COMES WITH ITEM NO. 12. THEREFORE THESE ARE NOT REQUIRED TO BE ORDERED SEPERATELY.
- IF ITEM NO. 8 IS ORDERED AS A SPARE PART, THIS ALREADY COMES WITH ITEM NO.S 13 & 14. THEREFORE THESE ARE NOT REQUIRED TO BE ORDERED SEPERATELY.

**IMPORTANT**

WHEN ORDERING SPARES YOU MUST STATE THE FULL PART NUMBER AND THE PRODUCT SERIAL NUMBER - FROM THE LABEL TO PROTECT YOUR WARRANTY ALWAYS USE GENUINE HI-FORCE PARTS.

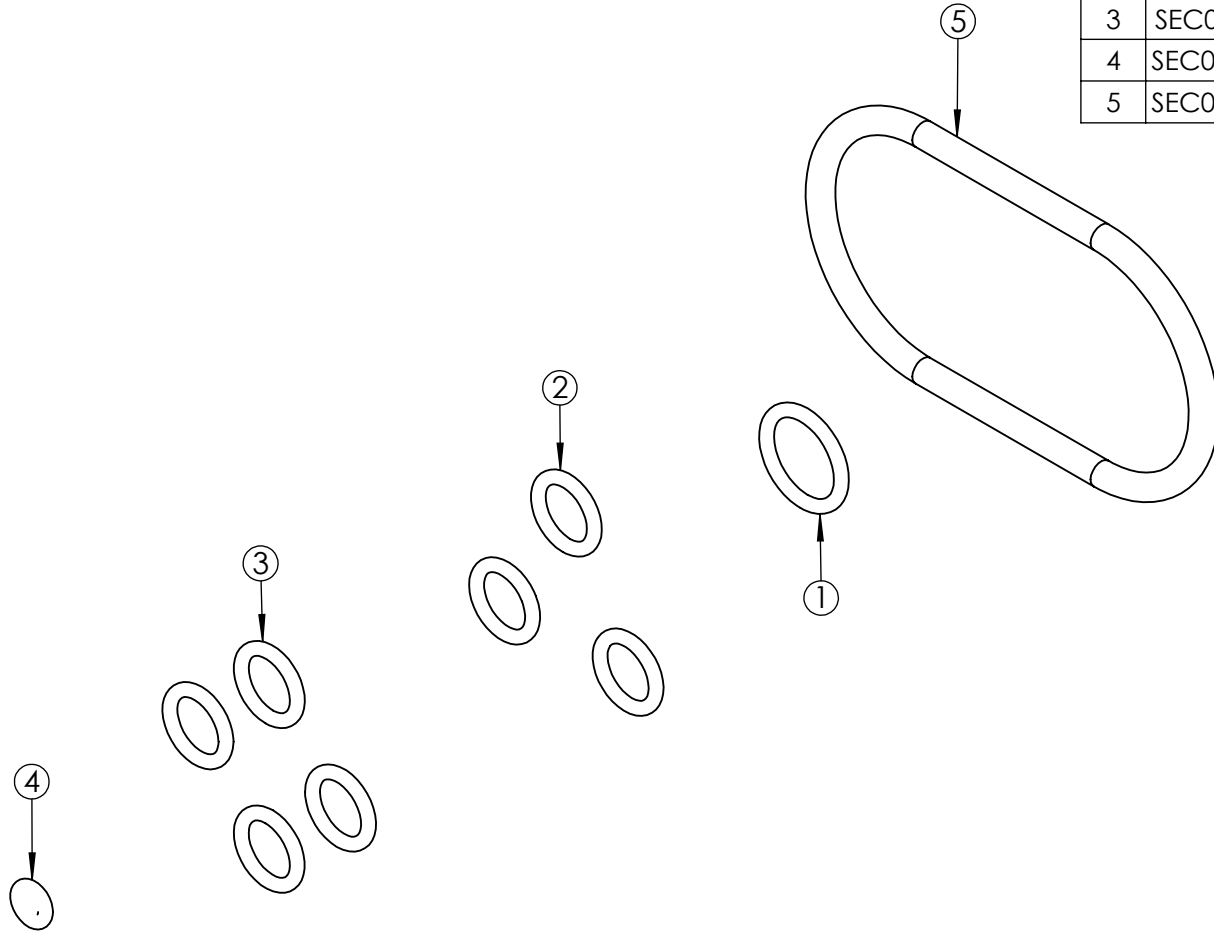
ITEM NO.	PART NUMBER	DESCRIPTION	QTY.	REVISION
1	15482	TANK GASKET	1	1 5717
2	SEC010RA001	O-RING - I.D. 6.35 mm, C.S. 1.78 mm, NITRILE 70	2	2 5939
3	SEC014RF001	O-RING - I.D. 10.82 mm, C.S. 1.78 mm, NITRILE 90	10	3
4	SEC013RA001	O-RING - I.D. 9.25mm, C.S. 1.78mm, NITRILE 90	2	4
5	SEC019RF002	O-RING - I.D. 15.60, C.S. 1.78mm, NITRILE 90	2	5
6	SEC013BA001	BACK-UP RING - PTFE, SOLID SPLIT	2	6
7	SEC001KT003	GASKET	1	7
				8
				9
				10
				11
				12
				13
				14
				15
				16
				17
				18
				19
				20



**IMPORTANT**

WHEN ORDERING SPARES YOU MUST STATE THE FULL PART NUMBER AND THE PRODUCT SERIAL NUMBER - FROM THE LABEL TO PROTECT YOUR WARRANTY ALWAYS USE GENUINE HI-FORCE PARTS.

ITEM NO.	PART NUMBER	DESCRIPTION	QTY.	REVISION
1	SEC014RF002	O-RING - I.D. 10.82 mm C.S. 1.78 mm, VITON 90 (BROWN)	1	1 5717
2	SEC011RF002	O-RING - I.D. 7.66 mm, C.S. 1.78 mm, VITON 90 (BROWN)	3	2
3	SEC011RF001	O-RING, I.D. 7.66 mm, C.S. 1.78 mm, NITRILE 90	4	3
4	SEC006RA002	O-RING - I.D. 2.9 mm, C.S. 1.78mm, NITRILE 70	1	4
5	SEC057RA001	O-RING - I.D. 50.39 mm, C.S. 3.53 mm	1	5
				6
				7
				8
				9
				10
				11
				12
				13
				14
				15
				16
				17
				18
				19
				20



**IMPORTANT**  
WHEN ORDERING SPARES YOU MUST STATE THE FULL PART NUMBER AND THE  
PRODUCT SERIAL NUMBER - FROM THE LABEL  
TO PROTECT YOUR WARRANTY ALWAYS USE GENUINE HI-FORCE PARTS.