

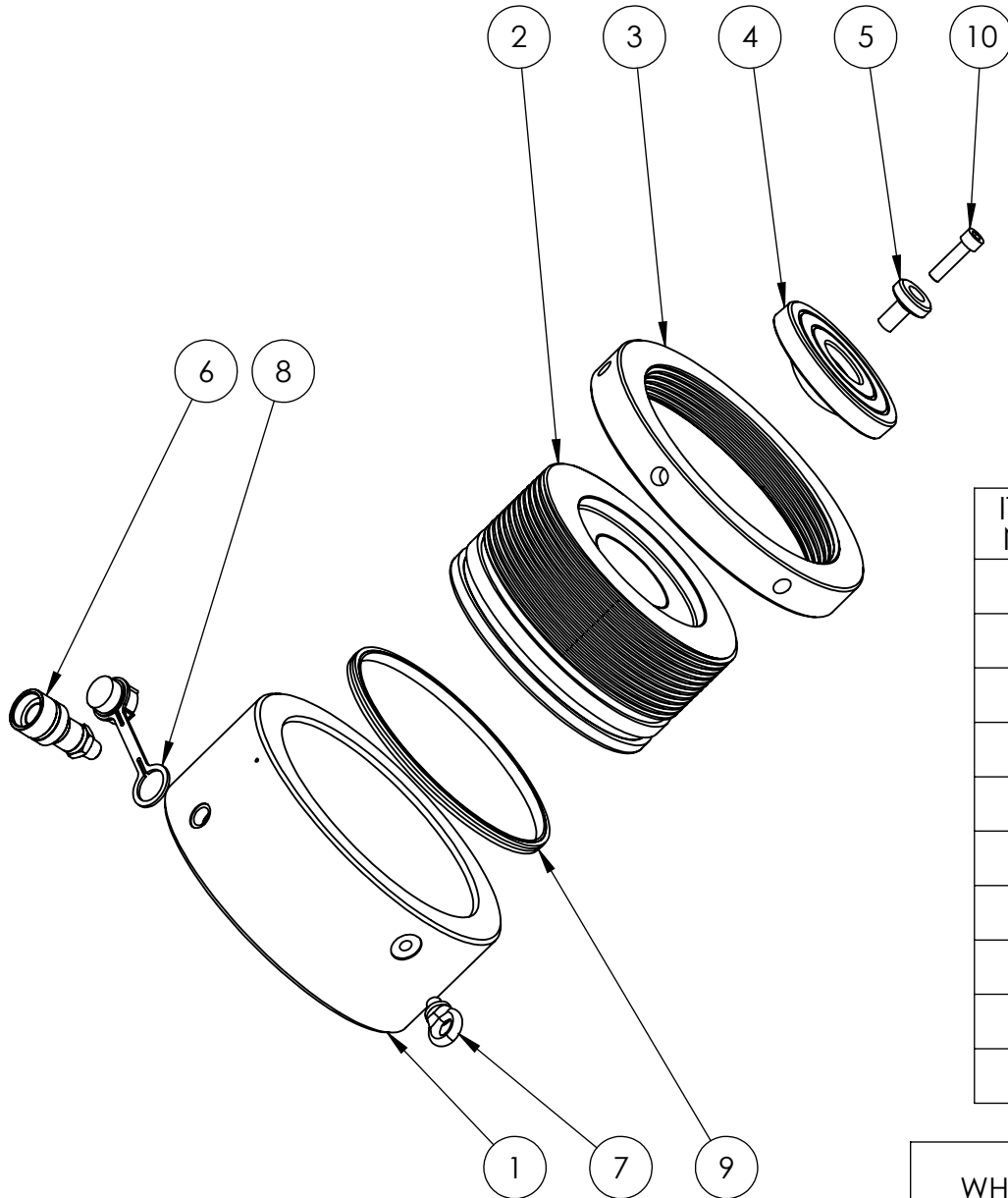
ITEM NO.	PART NUMBER	DESCRIPTION	QTY.
1	CBC216XC001	CYLINDER	1
2	PRC216MC004	PISTON	1
3	SRC216PR002	LOCK NUT	1
4	CF1	COUPLER	1
5	BS4278-M12	EYEBOLT	2
6	PPC1	DUST COVER	1
7	HFL250TP1-K	PISTON SEAL	1
8	SAC200YC001	SADDLE	1
9	BLC012MS040	SHOULDER SCREW	1
10	SIC012WD001	CENTRE BUTTON	1

REVISION

1	
2	4417
3	
4	
5	
6	
7	
8	
9	
10	
11	
12	
13	
14	
15	
16	
17	
18	
19	
20	

IMPORTANT

WHEN ORDERING SPARES YOU MUST STATE THE FULL PART NUMBER AND THE PRODUCT SERIAL NUMBER - FROM THE LABEL TO PROTECT YOUR WARRANTY ALWAYS USE GENUINE HI-FORCE PARTS.



ITEM NO.	PART NUMBER	DESCRIPTION	QTY.
1	CBC216XC001	CYLINDER	1
2	PRC216MC002	PISTON	1
3	SRC216PR002	LOCK NUT	1
4	SAC130YC001	SADDLE	1
5	SIC018WH001	CENTRE STUD	1
6	CF1	COUPLER	1
7	BS4278-M12	EYEBOLT	2
8	PPC1	DUST COVER	1
9	HFL250TP1-K	PISTON SEAL	1
10	BLC010LD040	SOCKET CAP HD SCREW	1

REVISION	
1	4417
2	
3	
4	
5	
6	
7	
8	
9	
10	
11	
12	
13	
14	
15	
16	
17	
18	
19	
20	

IMPORTANT
WHEN ORDERING SPARES YOU MUST STATE THE FULL PART NUMBER AND THE PRODUCT SERIAL NUMBER - FROM THE LABEL TO PROTECT YOUR WARRANTY ALWAYS USE GENUINE HI-FORCE PARTS.