

MANUALLY OPERATED PUMP

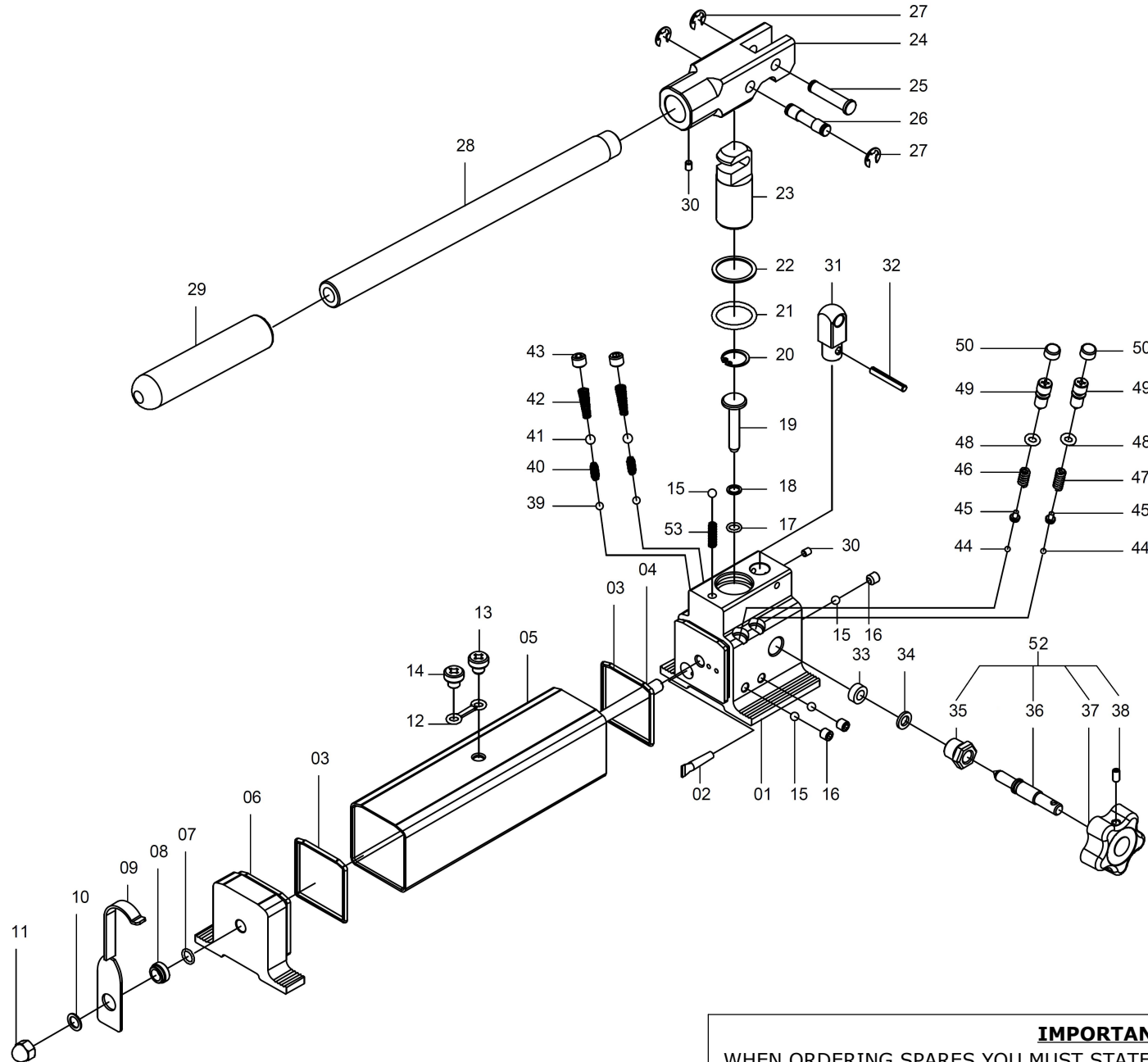
SERIAL NUMBERS

FROM DT0642

PRODUCT NO.

HP211

SHT 1 OF
1 SHTS



REVISION

1	
2	6271
3	
4	
5	
6	
7	
8	
9	
10	
11	
12	
13	
14	
15	
16	
17	
18	
19	
20	

IMPORTANT
WHEN ORDERING SPARES YOU MUST STATE THE FULL PART NUMBER AND THE
PRODUCT SERIAL NUMBER - FROM THE LABEL
TO PROTECT YOUR WARRANTY ALWAYS USE GENUINE HI-FORCE PARTS

MANUALLY OPERATED PUMP

SERIAL NUMBERS

FROM DT0642

PRODUCT NO.

HP211

SHT 1 OF
1 SHTS

ITEM NO.	PART NO.	DESCRIPTION	QTY.	SPARE PARTS	SERVICE PARTS
01	HP211-01	Pump Housing	1		
02	-	Oil Filter	1	x	✓
03	-	Ring	2	x	✓
04	HP211-04	Tie Rod	1		
05	HP211-05	Reservoir	1		
06	HP211-06	Tail Base	1		
07	-	O-Ring	1	x	✓
08	-	Latch Ring	1	x	✓
09	-	Handle Latch	1	x	✓
10	-	Brass Washer	1	x	✓
11	-	Nut	1	x	✓
12	-	O-Ring	1	x	✓
13	-	Air Release Screw	1	x	✓
14	-	Vent Screw	1	x	✓
15	-	Steel Ball	4	x	
16	-	Screw	3	x	✓
17	-	O-Ring	1	x	✓
18	-	Back-Up Ring	1	x	✓
19	HP211-19	H.P. Piston	1		
20	-	Snap Ring	1	x	✓
21	-	O-Ring	1	x	✓
22	-	Back-Up Ring	1	x	✓
23	HP227-21	L.P. Piston	1		
24	HP232-23	Yoke	1		
25	-	Yoke Pin	1	x	✓
26	-	Piston Pin	1	x	✓
27	-	Retaining Ring	3	x	✓
28	HP211-28	Handle	1		
29	-	Handle Grip	1	x	✓
30	-	Screw	2	x	✓
31	HP212-31	Yoke Base	1		
32	-	Spring Pin	1	x	✓
33	-	Oil Seal	1	x	✓

ITEM NO.	PART NO.	DESCRIPTION	QTY.	SPARE PARTS	SERVICE PARTS
34	-	Washer	1	x	✓
35	RV	Release Nut	1	x	
36	RV	Release Valve Screw	1	x	
37	RV	Release Knob	1	x	
38	RV	Screw	1	x	
39	-	Steel Ball	2	x	✓
40	-	Inlet Ball Spring	2	x	✓
41	-	Steel Ball	2	x	✓
42	-	Outlet Ball Spring	2	x	✓
43	-	Set Screw	2	x	✓
44	-	Steel Ball	2	x	✓
45	-	Spring End Cap	2	x	✓
46	-	L.P. Spring	1	x	✓
47	-	H.P. Spring	1	x	✓
48	-	O-Ring	2	x	✓
49	-	Overload Cover Screw	2	x	✓
50	-	Cap	2	x	✓
51	-	Spring	1	x	✓
52	HP211-52	Release Valve Assy	1		

REVISION

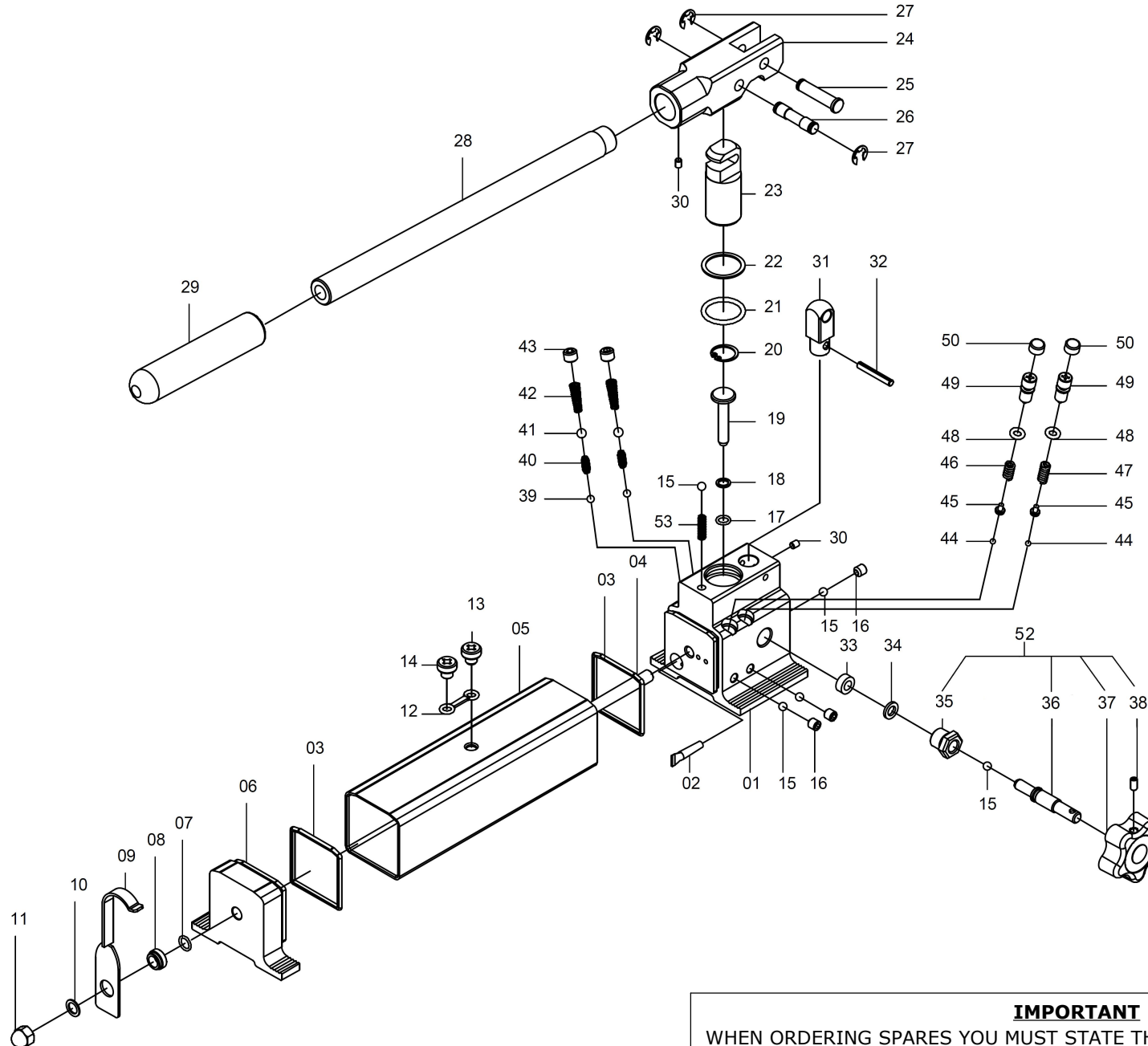
1	
2	6271
3	
4	
5	
6	
7	
8	
9	
10	
11	
12	
13	
14	
15	
16	
17	
18	
19	
20	

NOTE:

- ALL PARTS ARE AVAILABLE TO BE ORDERED AS SPARE PARTS (UNLESS MARKED WITH x).
- PARTS MARKED WITH ✓ ARE AVAILABLE AS SERVICEABLE PARTS, FROM HP211TP1-K ONLY.
- ALL PART No.s MARKED AS "RV" ONLY AVAILABLE AS RELEASE VALVE ASSEMBLY (ITEM No. 52)

IMPORTANT

WHEN ORDERING SPARES YOU MUST STATE THE FULL PART NUMBER AND THE PRODUCT SERIAL NUMBER - FROM THE LABEL TO PROTECT YOUR WARRANTY ALWAYS USE GENUINE HI-FORCE PARTS



REVISION

1
2
3
4
5
6
7
8
9
10
11
12
13
14
15
16
17
18
19
20

IMPORTANT
WHEN ORDERING SPARES YOU MUST STATE THE FULL PART NUMBER AND THE
PRODUCT SERIAL NUMBER - FROM THE LABEL
TO PROTECT YOUR WARRANTY ALWAYS USE GENUINE HI-FORCE PARTS

MANUALLY OPERATED PUMP

SERIAL NUMBERS

UPTO DT0641

PRODUCT NO.

HP211

SHT 1 OF
1 SHTS

ITEM NO.	PART NO.	DESCRIPTION	QTY.	SPARE PARTS	SERVICE PARTS
01	HP211-01	Pump Housing	1		
02	-	Oil Filter	1	x	✓
03	-	Ring	2	x	✓
04	HP211-04	Tie Rod	1		
05	HP211-05	Reservoir	1		
06	HP211-06	Tail Base	1		
07	-	O-Ring	1	x	✓
08	-	Latch Ring	1	x	✓
09	-	Handle Latch	1	x	✓
10	-	Brass Washer	1	x	✓
11	-	Nut	1	x	✓
12	-	O-Ring	1	x	✓
13	-	Air Release Screw	1	x	✓
14	-	Vent Screw	1	x	✓
15	RV	Steel Ball	5	x	
16	-	Screw	3	x	✓
17	-	O-Ring	1	x	✓
18	-	Back-Up Ring	1	x	✓
19	HP211-19	H.P. Piston	1		
20	-	Snap Ring	1	x	✓
21	-	O-Ring	1	x	✓
22	-	Back-Up Ring	1	x	✓
23	HP227-21	L.P. Piston	1		
24	HP232-23	Yoke	1		
25	-	Yoke Pin	1	x	✓
26	-	Piston Pin	1	x	✓
27	-	Retaining Ring	3	x	✓
28	HP211-28	Handle	1		
29	-	Handle Grip	1	x	✓
30	-	Screw	2	x	✓
31	HP212-31	Yoke Base	1		
32	-	Spring Pin	1	x	✓
33	-	Oil Seal	1	x	✓

ITEM NO.	PART NO.	DESCRIPTION	QTY.	SPARE PARTS	SERVICE PARTS
34	-	Washer	1	x	✓
35	RV	Release Nut	1	x	
36	RV	Release Valve Screw	1	x	
37	RV	Release Knob	1	x	
38	RV	Screw	1	x	
39	-	Steel Ball	2	x	✓
40	-	Inlet Ball Spring	2	x	✓
41	-	Steel Ball	2	x	✓
42	-	Outlet Ball Spring	2	x	✓
43	-	Set Screw	2	x	✓
44	-	Steel Ball	2	x	✓
45	-	Spring End Cap	2	x	✓
46	-	L.P. Spring	1	x	✓
47	-	H.P. Spring	1	x	✓
48	-	O-Ring	2	x	✓
49	-	Overload Cover Screw	2	x	✓
50	-	Cap	2	x	✓
51	-	Spring	1	x	✓
52	HP211-52	Release Valve Assy	1		

REVISION

1

2

3

4

5

6

7

8

9

10

11

12

13

14

15

16

17

18

19

20

NOTE:

- ALL PARTS ARE AVAILABLE TO BE ORDERED AS SPARE PARTS (UNLESS MARKED WITH x).
- PARTS MARKED WITH ✓ ARE AVAILABLE AS SERVICEABLE PARTS, FROM HP211TP1-K ONLY.
- ALL PART No.s MARKED AS "RV" ONLY AVAILABLE AS RELEASE VALVE ASSEMBLY (ITEM No. 52).
- WHEN CHANGING ITEM No. 52 - HP211-52, (ITEM No. 15 - STEEL BALL TO BE REMOVED).

IMPORTANT

WHEN ORDERING SPARES YOU MUST STATE THE FULL PART NUMBER AND THE PRODUCT SERIAL NUMBER - FROM THE LABEL TO PROTECT YOUR WARRANTY ALWAYS USE GENUINE HI-FORCE PARTS