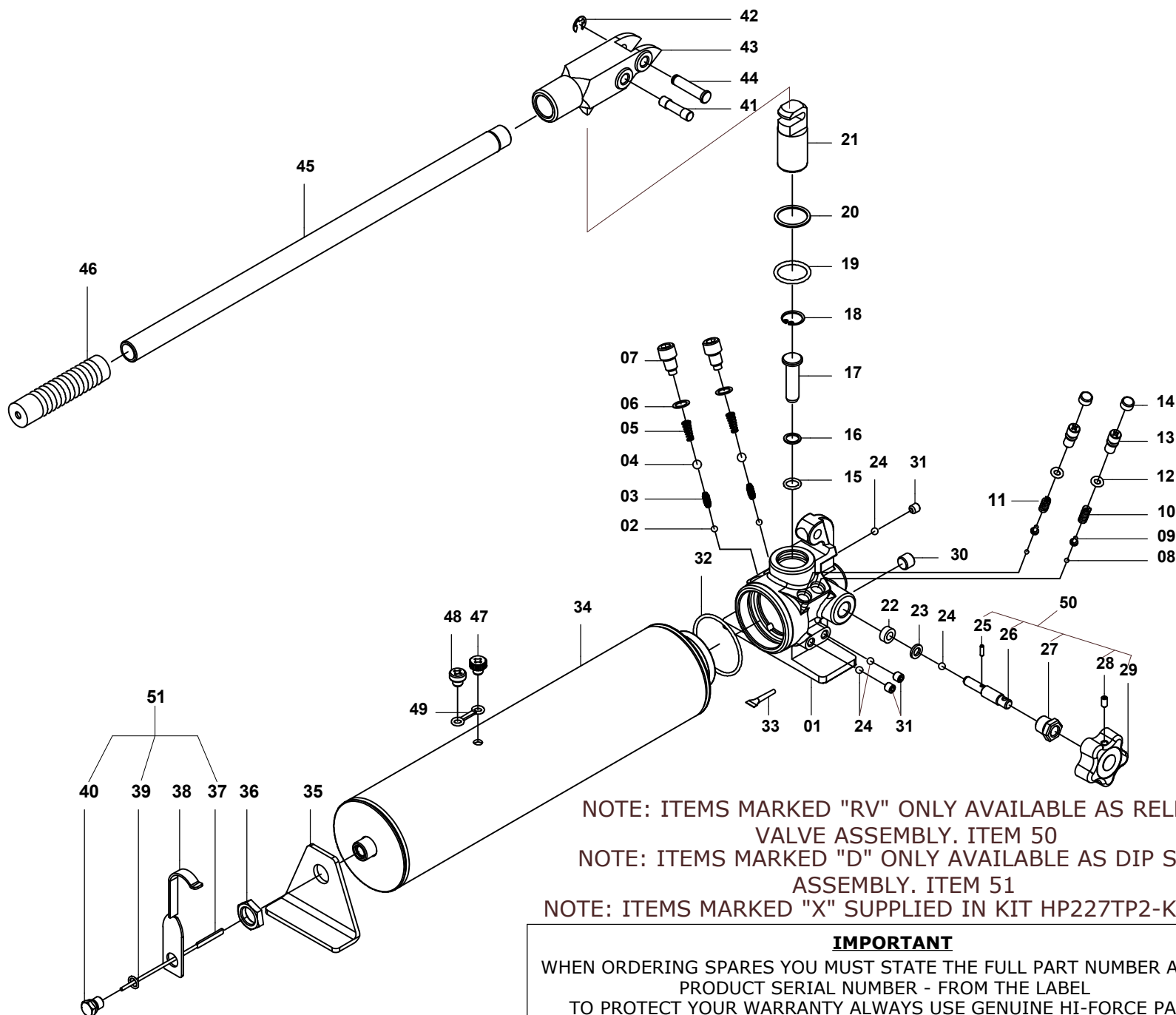


| ITEM NO. | PART NO. | DESCRIPTION            | QTY |
|----------|----------|------------------------|-----|
| 01       | HP227-01 | Pump Housing           | 1   |
| 02       | X        | Steel Ball             | 2   |
| 03       | X        | Spring                 | 2   |
| 04       | X        | Steel Ball             | 2   |
| 05       | X        | Spring                 | 2   |
| 06       | X        | Washer                 | 2   |
| 07       | X        | Valve Cover Screw      | 2   |
| 08       | X        | Steel Ball             | 2   |
| 09       | X        | Spring End Cap         | 2   |
| 10       | X        | Short Separator Spring | 1   |
| 11       | X        | Long Separator Spring  | 1   |
| 12       | X        | O-Ring                 | 2   |
| 13       | X        | Overload Cover Screw   | 2   |
| 14       | X        | Cap                    | 2   |
| 15       | X        | O-Ring                 | 1   |
| 16       | X        | Back Up Ring           | 1   |
| 17       | HP227-17 | Pump Piston            | 1   |
| 18       | X        | Snap Ring              | 1   |
| 19       | X        | O-Ring                 | 1   |
| 20       | X        | Back Up Ring           | 1   |
| 21       | HP227-21 | Pump Piston            | 1   |
| 22       | X        | Oil Seal               | 1   |
| 23       | X        | Washer                 | 1   |
| 24       | X        | Steel Ball             | 4   |
| 25       | RV       | Pin                    | 1   |
| 26       | RV       | Release Screw          | 1   |
| 27       | RV       | Release Nut            | 1   |
| 28       | RV       | Release Knob           | 1   |
| 29       | RV       | Set Screw              | 1   |
| 30       | X        | Screw                  | 1   |
| 31       | X        | Screw                  | 3   |
| 32       | X        | O-Ring                 | 1   |
| 33       | X        | Oil Filter             | 1   |
| 34       | HP227-34 | Reservoir              | 1   |
| 35       | HP227-35 | Rear Base              | 1   |
| 36       | HP227-36 | Rear Base Nut          | 1   |
| 37       | D        | Oil Scale              | 1   |
| 38       | HP227-38 | Fixing Hook            | 1   |
| 39       | D        | O-Ring                 | 1   |
| 40       | D        | Screw                  | 1   |
| 41       | X        | Piston Pin             | 1   |
| 42       | X        | Retaining Ring         | 1   |
| 43       | HP227-43 | Yoke                   | 1   |
| 44       | X        | Yoke Pin               | 1   |
| 45       | HP227-45 | Handle                 | 1   |
| 46       | X        | Handle Grip            | 1   |
| 47       | X        | Air Release Screw      | 1   |
| 48       | X        | Vent Screw             | 1   |
| 49       | X        | O-Ring                 | 1   |
| 50       | HP227-52 | Release Valve Assembly | 1   |
| 51       | HP227-51 | Dip Stick Assembly     | 1   |



NOTE: ITEMS MARKED "RV" ONLY AVAILABLE AS RELEASE VALVE ASSEMBLY. ITEM 50  
 NOTE: ITEMS MARKED "D" ONLY AVAILABLE AS DIP STICK ASSEMBLY. ITEM 51  
 NOTE: ITEMS MARKED "X" SUPPLIED IN KIT HP227TP2-K ONLY

**IMPORTANT**  
 WHEN ORDERING SPARES YOU MUST STATE THE FULL PART NUMBER AND THE PRODUCT SERIAL NUMBER - FROM THE LABEL  
 TO PROTECT YOUR WARRANTY ALWAYS USE GENUINE HI-FORCE PARTS