

REVISION

1	
2	
3	6058
4	
5	
6	
7	
8	
9	
10	
11	
12	
13	
14	
15	
16	
17	
18	
19	
20	

**IMPORTANT**

WHEN ORDERING SPARES YOU MUST STATE THE FULL PART NUMBER AND THE PRODUCT SERIAL NUMBER - FROM THE LABEL TO PROTECT YOUR WARRANTY ALWAYS USE GENUINE HI-FORCE PARTS.

ITEM NO.	PART NO.	DESCRIPTION	QTY.
01	HP245-01	RESERVOIR ASM	1
02	x	RESERVOIR GASKET	1
03	HP245-03	COVER PLATE	1
04	HP245-04	JUNCTION BLOCK	1
05	HP245-05	TEE	1
06	HP245-06	TUBE CONNECTOR	1
07	X	SCREW	4
08	HP245-08A	PUMP BODY	1
09	X	STEEL BALL	1
10	X	O-RING	3
11	X	BACK UP RING	3
12	HP245-12	PISTON	1
13	X	RETAINING RING	1
14	X	O-RING	1
15	X	BACK-UP RING	1
16	X	O-RING	1
17	X	O-RING	2
18	X	O-RING	1
19	X	SPLIT RING	1
20	HP245-20A	PISTON	1
21	X	CONE SEAT	1
22	X	CONE	1
23	HP245-23	PUMP CYLINDER	1
24	HP245-24	BEARING	1
25	X	O-RING	1
26	X	WIPER	1
27	HP245-27	PISTON FIXED BLOCK	1
28	HP245-28	YOKE BASE	1
29	X	PIN	1
30	X	O-RING	4
31	X	BOLT	4

ITEM NO.	PART NO.	DESCRIPTION	QTY.	REVISION
32	HP245-32	TUBE ASM	1	
33	HP245-33	TUBE ASM	1	1
34	X	LINK TUBE	1	2
35	RV	VALVE GASKET	1	3 6058
36	RV	VALVE	1	4
37	RV	SCREW	6	5
38	HP100-31	YOKE	1	6
39	X	YOKE PIN	2	7
40	X	RETAINING RING	2	8
41	X	SUPPORT RUBBER	1	9
42	X	WASHER	16	10
43	X	SCREW	16	11
44	HP245-44	HANDLE	1	12
45	HP110-34	HANDLE GRIP	1	13
46	X	SQUARE HOLE PLUG	2	14
47	X	BREATHER ASM	1	15
48	HP245-48	VALVE ASM	1	16
49	X	H.P. SPRING	1	17
50	X	O-RING	1	18
51	X	OVERLOAD COVER SCREW	1	19
				20

**NOTE:**

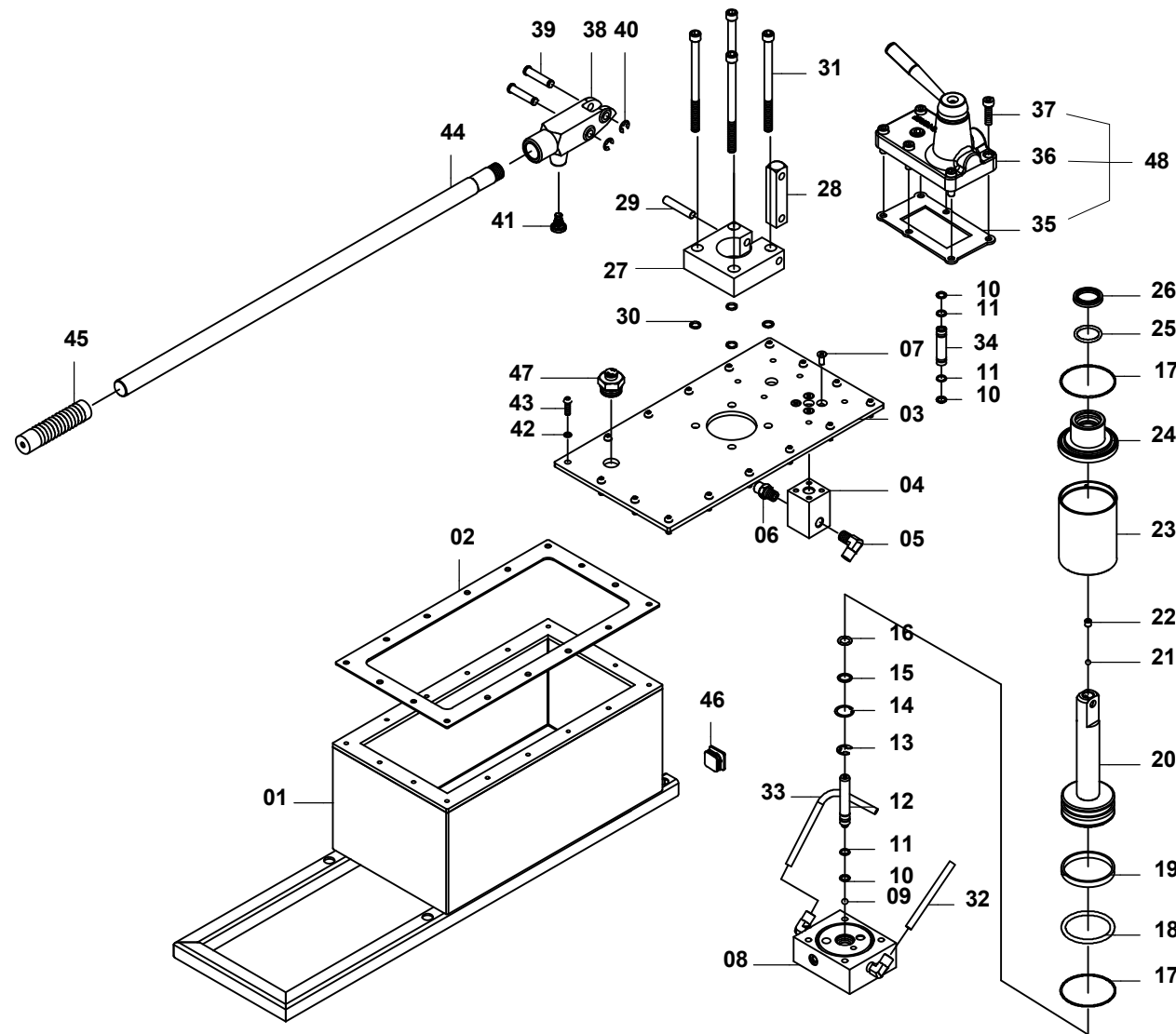
- PARTS MARKED "X" ARE SUPPLIED IN KIT **HP245TP2-K**

- PARTS MARKED "RV" ARE ONLY AVAILABLE AS PARTS FROM VALVE ASSEMBLY ITEM NO. 48

**IMPORTANT**

WHEN ORDERING SPARES YOU MUST STATE THE FULL PART NUMBER AND THE PRODUCT SERIAL NUMBER - FROM THE LABEL TO PROTECT YOUR WARRANTY ALWAYS USE GENUINE HI-FORCE PARTS.

ITEM NO.	PART NO.	DESCRIPTION	QTY
01	HP245-01	Reservoir Assembly	1
02	X	Reservoir Gasket	1
03	HP245-03	Cover Plate	1
04	HP245-04	Junction Block	1
05	HP245-05	Tee	1
06	HP245-06	Tube Connector	1
07	X	Screw	4
08	HP245-08	Pump Body	1
09	X	Steel Ball	1
10	X	O-Ring	3
11	X	Back-Up Ring	3
12	HP245-12	Piston	1
13	X	Retaining Ring	1
14	X	O-Ring	1
15	X	Back-Up Ring	1
16	X	O-Ring	1
17	X	O-Ring	2
18	X	O-Ring	1
19	X	Split Ring	1
20	HP245-20	Piston	1
21	X	Steel Ball	1
22	X	Screw	1
23	HP245-23	Pump Cylinder	1
24	HP245-24	Bearing	1
25	X	O-Ring	1
26	X	Wiper	1
27	HP245-27	Piston Fixed Block	1
28	HP245-28	Yoke Base	1
29	X	Pin	1
30	X	O-Ring	4
31	X	Bolt	4
32	HP245-32	Tube Asm.	1
33	HP245-33	Tube Asm.	1
34	X	Link Tube	1
35	RV	Valve Gasket	1
36	RV	Valve	1
37	RV	Screw	6
38	HP110-31	Yoke	1
39	X	Yoke Pin	2
40	X	Retaining Ring	2
41	X	Rubber	1
42	X	Washer	16
43	X	Screw	16
44	HP245-44	Handle	1
45	HP110-34	Handle Grip	1
46	X	Square Hole Plug	2
47	X	Breather Assembly	1
48	HP245-48	Valve Assembly	1



NOTE: ITEMS MARKED "RV" ONLY AVAILABLE AS VALVE ASSEMBLY. ITEM 48

NOTE: ITEMS MARKED "X" SUPPLIED IN KIT HP245TP1-K ONLY

**IMPORTANT**

WHEN ORDERING SPARES YOU MUST STATE THE FULL PART NUMBER AND THE PRODUCT SERIAL NUMBER - FROM THE LABEL TO PROTECT YOUR WARRANTY ALWAYS USE GENUINE HI-FORCE PARTS