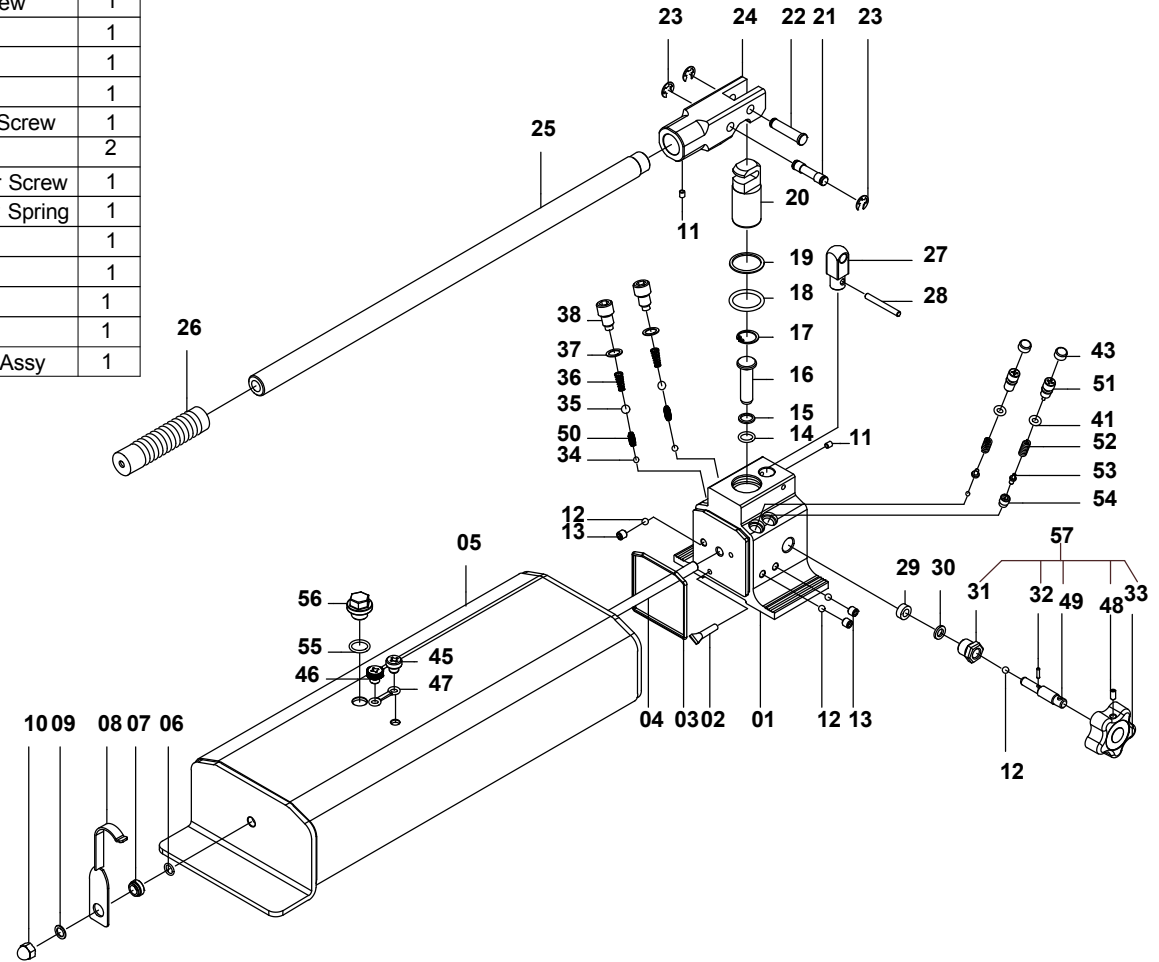


ITEM NO.	PART NO.	DESCRIPTION	QTY	ITEM NO.	PART NO.	DESCRIPTION	QTY
01	HP232-01	Pump Housing	1	42	X	Overload Cover Screw	1
02	X	Oil Filter	1	43	X	Cap	2
03	X	Ring	1	44	X	Short Separator Spring	1
04	HP232-04	Tie Rod	1	45	X	Air Release Screw	1
05	HP252-05	Reservoir	1	46	X	Vent Screw	1
06	X	O-Ring	1	47	X	O-Ring	1
07	X	Hook Ring	1	48	RV	Knob Screw	1
08	X	Fixing Hook	1	49	RV	Release Valve Screw	1
09	X	Brass Washer	1	50	X	Spring	2
10	X	Nut	1	51	X	Overload Cover Screw	1
11	X	Screw	2	52	X	Long Separator Spring	1
12	X	Steel Ball	4	53	X	Cone	1
13	X	Set Screw	3	54	X	Cone Seat	1
14	X	O-Ring	1	55	X	Plug	1
15	X	Back-Up Ring	1	56	X	O-Ring	1
16	HP227-17	Pump Piston	1	57	HP227-52	Release Valve Assy	1
17	X	Snap Ring	1				
18	X	O-Ring	1				
19	X	Back-Up Ring	1				
20	HP227-21	Pump Piston	1				
21	X	Piston Pin	1				
22	X	Yoke Pin	1				
23	X	E-Ring	3				
24	HP232-23	Yoke	1				
25	HP232-24	Handle	1				
26	X	Handle Grip	1				
27	HP232-26	Yoke Base	1				
28	X	Roll Pin	1				
29	X	Oil Seal	1				
30	X	Washer	1				
31	RV	Release Nut	1				
32	RV	Pin	1				
33	RV	Release Knob	1				
34	X	Steel Ball	2				
35	X	Steel Ball	2				
36	X	Spring	2				
37	X	Washer	2				
38	X	Valve Cover Screw	2				
39	X	Steel Ball	1				
40	X	Spring End Cap	1				
41	X	O-Ring	2				



NOTE: ITEMS MARKED "X" SUPPLIED IN KIT HP252TP1-K ONLY

NOTE: ITEMS MARKED "RV" ONLY AVAILABLE AS RELEASE VALVE ASSEMBLY. ITEM 57

IMPORTANT

WHEN ORDERING SPARES YOU MUST STATE THE FULL PART NUMBER AND THE PRODUCT SERIAL NUMBER - FROM THE LABEL TO PROTECT YOUR WARRANTY ALWAYS USE GENUINE HI-FORCE PARTS