

ITEM NO.	PART NUMBER	DESCRIPTION	QTY.	SPARE PART AVAILABILITY
1	HSS1010	SPRING RETURN CYLINDER	1	
2	ADC010CA007	25T - 10T REDUCER BUSH	1	
3	CM1	MALE COUPLER	1	
4	HG10	PRESSURE GAUGE 4IN. 0-10 TONNE	1	
5	HGA1	GAUGE BLOCK	1	
6	AHP1120	AIR DRIVEN SINGLE STAGE FOOT OPERATED PUMP	1	
7	HF16	ELBOW, 3/8" NPT FEMALE TO 3/8" NPT MALE	1	
8	HH4	HYDRAULIC HOSE 4M.	1	
9	FAS002HZ001	NO.4 x 3/16 HAMMER DRIVE SCREW	4	
10	AAN025FP001	NAMEPLATE	1	X
11	PAA025CH001	25T PRESS FRAME	1	X

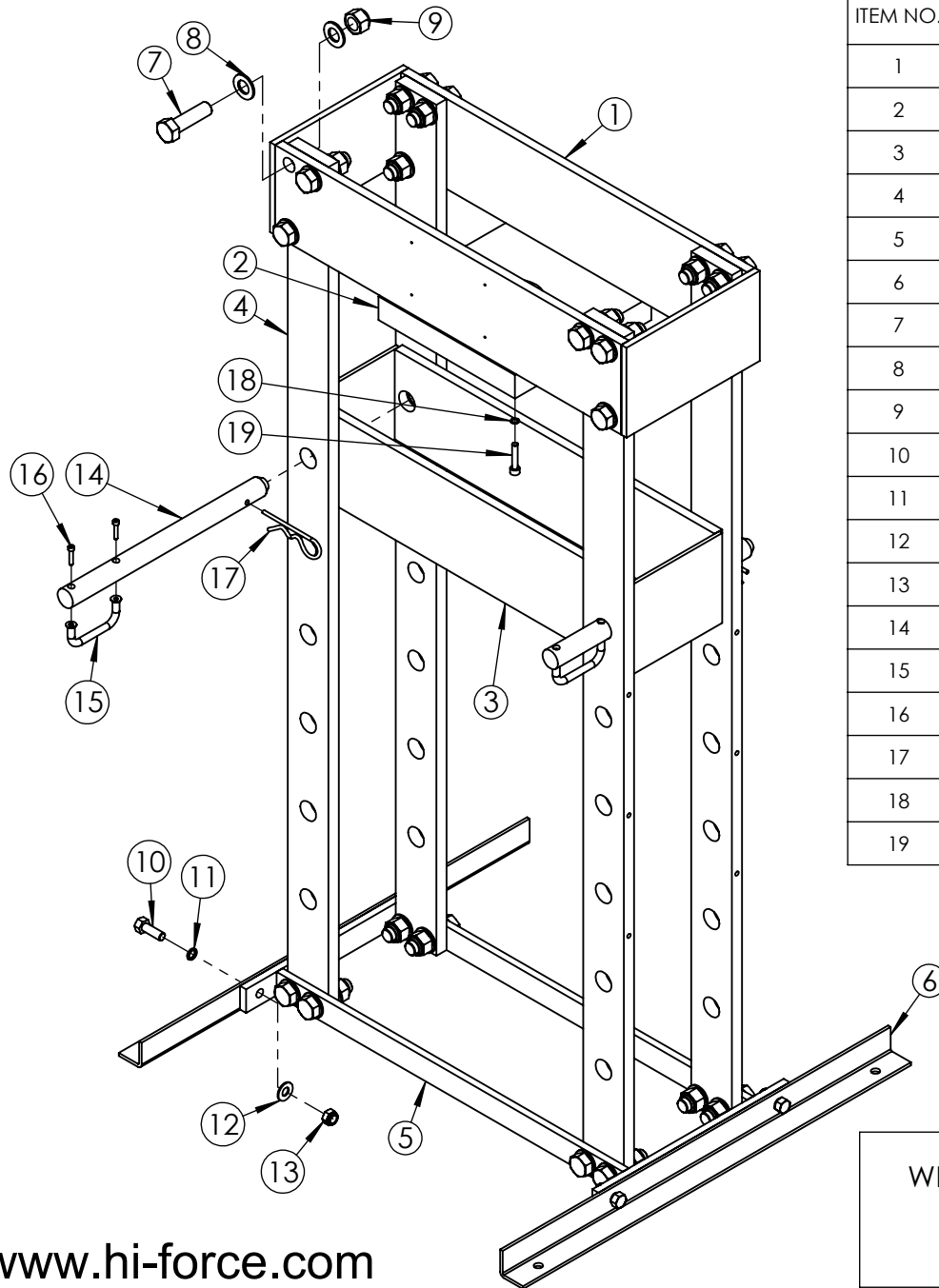
NOTES:

-ALL PARTS AVAILABLE TO ORDER AS AN INDIVIDUAL SPARE PART UNLESS MARKED "X"

-FOR SUB ASSEMBLIES (ITEM NO.s 1, 6 & 11) PLEASE REFER TO THEIR INDIVIDUAL EVD's

IMPORTANT

WHEN ORDERING SPARES YOU MUST STATE THE FULL PART NUMBER AND THE PRODUCT SERIAL NUMBER - FROM THE LABEL TO PROTECT YOUR WARRANTY ALWAYS USE GENUINE HI-FORCE PARTS.



ITEM NO.	PART NUMBER	DESCRIPTION	QTY.	SPARE PARTS	SERVICE PARTS
1	PBS025HC001	25T PRESS UPPER	1	X	
2	MBC084FB001	MOUNTING BLOCK	1	X	
3	PBS025BC001	PRESS BED	1	X	
4	PUC025FE001	25T PRESS FRAME UPRIGHT	4	X	
5	PBS025LC001	25T PRESS BASE	1	X	
6	PFC025AF003	PRESS FOOT	2	X	
7	BLC020PA070	M20 x 70 HEX HEAD BOLT	20		
8	WAC020AB000	M20 PL WASHER	40		
9	NUC020PC000	M20 NYLOK NUT	20		
10	BLC012MB035	M12 x 35 HEX HEAD BOLT	4		
11	WAC012BB000	M12 SPRING WASHER	4		
12	WAC012AB000	M12 PLAIN WASHER	4		
13	NUC012MC000	M12 NYLOK NUT	4		
14	PLC025CP001	25T LOAD PIN	2		
15	HLC010BM003	BRIDGE HANDLE	2		
16	BLC005HD025	M5 x 25 SOCKET CAP HEAD SCREW	4		
17	STC025RA001	R CLIP	2		
18	WAC008BB000	M8 ZINC PLATED SPRING WASHER	4		
19	BLC008KD040	M8 x 40 SOCKET CAP HEAD SCREW	4		

REVISION	
1	6169
2	6180
3	
4	
5	
6	
7	
8	
9	
10	
11	
12	
13	
14	
15	
16	
17	
18	
19	
20	

NOTE:
- ALL PARTS ARE AVAILABLE TO BE ORDERED AS SPARE PARTS (UNLESS MARKED WITH X).

IMPORTANT
WHEN ORDERING SPARES YOU MUST STATE THE FULL PART NUMBER AND THE PRODUCT SERIAL NUMBER - FROM THE LABEL TO PROTECT YOUR WARRANTY ALWAYS USE GENUINE HI-FORCE PARTS.