

| | |
|----|------|
| 1 | |
| 2 | 6333 |
| 3 | |
| 4 | |
| 5 | |
| 6 | |
| 7 | |
| 8 | |
| 9 | |
| 10 | |
| 11 | |
| 12 | |
| 13 | |
| 14 | |
| 15 | |
| 16 | |
| 17 | |
| 18 | |
| 19 | |
| 20 | |

IMPORTANT
WHEN ORDERING SPARES YOU MUST STATE THE FULL PART NUMBER AND THE PRODUCT SERIAL NUMBER - FROM THE LABEL TO PROTECT YOUR WARRANTY ALWAYS USE GENUINE HI-FORCE PARTS.

| ITEM NO. | PART NUMBER | DESCRIPTION | QTY. | SPARE PARTS | SERVICE PARTS | ITEM NO. | PART NUMBER | DESCRIPTION | QTY. | SPARE PARTS | SERVICE PARTS |
|----------|-------------------|--------------------------------------------------------------------------------------|------|-------------|---------------|----------|-------------|---------------------------------|------|-------------|---------------|
| 1 | TAC040AS001 | 40L TANK | 1 | | | 23 | MCC000SB001 | QUILL SHAFT ADAPTOR | 1 | | |
| 2 | 15482 | TANK GASKET | 1 | X | ✓ | 24 | PCC004WC001 | SHAFT KEY | 1 | | |
| 3 | BLC021YT010 | SIGHT GLASS HGF.13 BLACK OIL LEVEL INDICATOR | 2 | | | 25 | PCC008KE001 | SHAFT KEY | 1 | | |
| 4 | DCSF00328 | DOUBLE SIDED MAGNET | 1 | | | 26 | CSC222AS001 | ENGINE FLANGE | 1 | | |
| 5 | NUC021-B000 | 1/2" BSP LOCK NUT | 2 | | | 27 | BLC010LB035 | M10 x 35 SOCKET CAP HEAD SCREW | 4 | | |
| 6 | FPC013PC001 | 1/2" BSP PLUG - HEX SOCKET | 1 | | | 28 | WAC010AB000 | M10 ZINC PLATED FLAT WASHER | 7 | | |
| 7 | TYPE200-24 | 200 SERIES PUMP UNIT | 1 | | | 29 | WAC010BZ000 | M10 SPRING WASHER | 7 | | |
| 8 | FFC028PZ001 | FILLER/BREATHER | 1 | | | 30 | BLC010LB050 | M10 x 50 SOCKET CAP HEAD SCREW | 3 | | |
| 9 | BPC025KP001 | 1" SQ RIBBED INSERT BLACK | 4 | | | 31 | FAS005ME010 | SOCKET CUP PT SCREW M5 x 10 | 1 | | |
| 10 | SEC001KT003 | GASKET | 1 | X | ✓ | 32 | MCC000PT001 | THROTTLE | 1 | | |
| 11 | PE1_4.5 | PETROL MOTOR | 1 | | | 33 | BLC006JD065 | M6 X 65 HEX SOCKET CAP HD SCREW | 2 | | |
| 12 | BLC005HF020 | M5 x 20 mm HEX SOCKET COUNTERSUNK SCREW | 10 | | | 34 | WAC006AF000 | M6 ZINC WASHER | 4 | | |
| 13 | FPC013AC002 | FEED PIPE | 1 | | | 35 | NUC006JC000 | M6 NYLOK NUT | 2 | | |
| 14 | FFC045MZ001 | FILTER | 1 | | | | | | | | |
| 15 | TAC000PA001 | 160 mm LONG SUCTION PIPE | 1 | | | | | | | | |
| 16 | SFC065FA002 | BLANKING PLATE | 1 | | | | | | | | |
| 17 | AAN000UP001 | 60 x 30 mm UNIVERSAL NAME PLATE | 1 | X | | | | | | | |
| 18 | FAS002HZ001 | NO.4 x 3/16 HAMMER DRIVE SCREW | 2 | | | | | | | | |
| 19 | PMV3L | 3 WAY, MANUALLY OPERATED, PUMP MOUNTED DIRECTIONAL CONTROL VALVE (WITH LOAD HOLDING) | 1 | | | | | | | | |
| 20 | FPC010PN001 | 3/8 NPT BLANKING PLUG | 1 | | | | | | | | |
| 21 | 15480 | ROLL FRAME | 1 | | | | | | | | |
| 22 | BLC008KD016 | M8 x 16 mm HEX SOCKET CAP HEAD SCREW | 4 | | | | | | | | |

REVISION

| | |
|----|------|
| 1 | |
| 2 | 6333 |
| 3 | |
| 4 | |
| 5 | |
| 6 | |
| 7 | |
| 8 | |
| 9 | |
| 10 | |
| 11 | |
| 12 | |
| 13 | |
| 14 | |
| 15 | |
| 16 | |
| 17 | |
| 18 | |
| 19 | |
| 20 | |

NOTE:

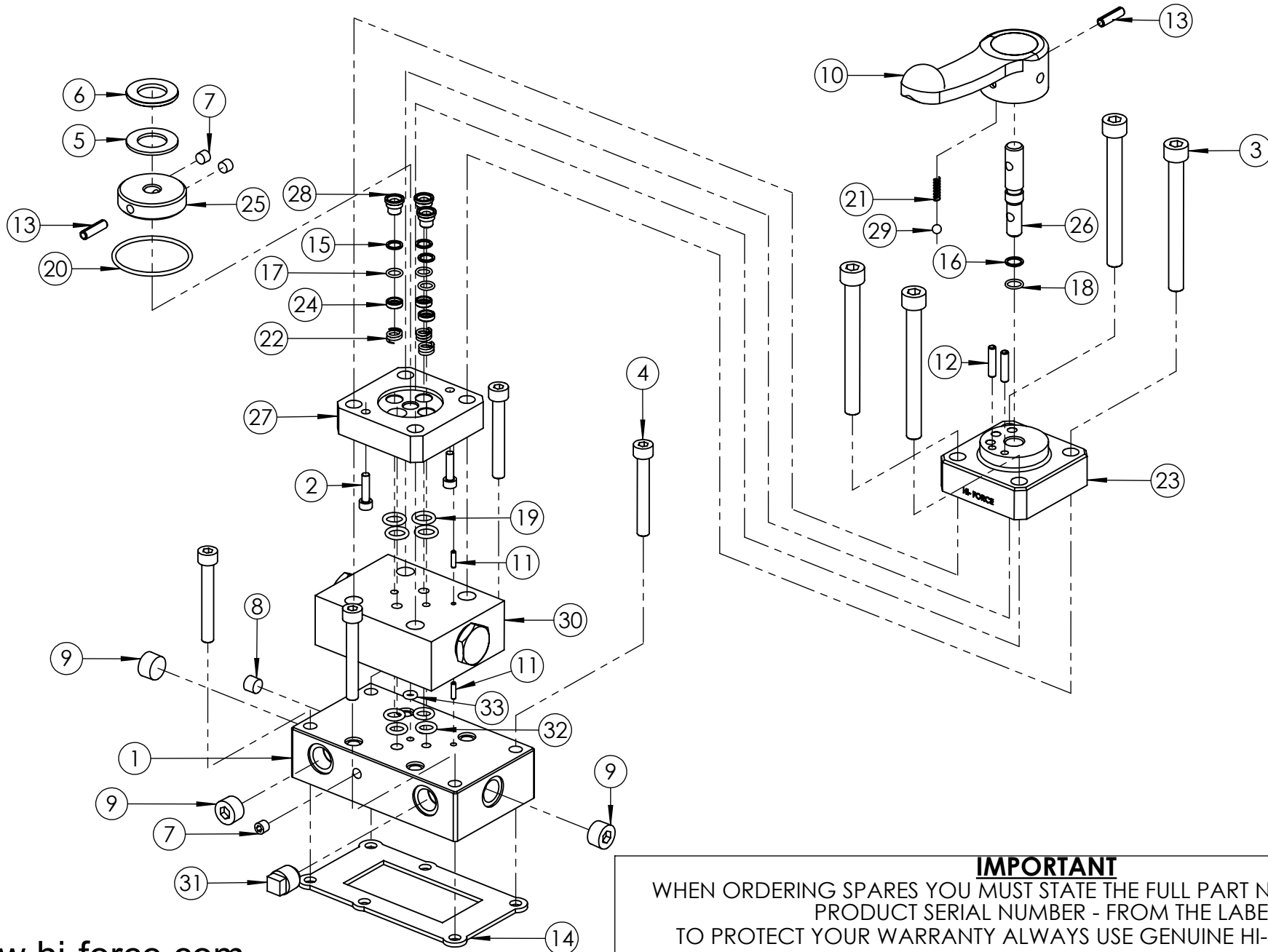
- ALL PARTS ARE AVAILABLE TO BE ORDERED AS INDIVIDUAL SPARE PARTS (UNLESS MARKED WITH **X**.)

- ALL PARTS MARKED WITH **✓** ARE AVAILABLE SERVICEABLE PARTS FOUND IN: SERVICE KIT **HEP-SK1**

- FOR SUB ASSEMBLIES (ITEM NO.S 7 & 19) PLEASE REFER TO THEIR INDIVIDUAL EVD'S.

IMPORTANT

WHEN ORDERING SPARES YOU MUST STATE THE FULL PART NUMBER AND THE PRODUCT SERIAL NUMBER - FROM THE LABEL TO PROTECT YOUR WARRANTY ALWAYS USE GENUINE HI-FORCE PARTS.



IMPORTANT
WHEN ORDERING SPARES YOU MUST STATE THE FULL PART NUMBER AND THE PRODUCT SERIAL NUMBER - FROM THE LABEL TO PROTECT YOUR WARRANTY ALWAYS USE GENUINE HI-FORCE PARTS.

| ITEM NO. | PART NUMBER | DESCRIPTION | QTY. | SPARE PARTS | SERVICE PARTS |
|----------|-------------|--------------------------------------------------|------|-------------|---------------|
| 1 | VFC010BF012 | VALVE MOUNTING BLOCK | 1 | | |
| 2 | BLC005HU020 | M5 x 20 mm HEX SOCKET CAP HEAD SCREW | 2 | | |
| 3 | BLC010LC100 | M10 x 100 mm HEX SOCKET CAP HEAD SCREW | 4 | | |
| 4 | BLC008KC060 | M8 x 60 mm HEX SOCKET CAP HEAD SCREW | 4 | | |
| 5 | BSC035NA001 | NEEDLE BEARING | 1 | | |
| 6 | BSC035NA002 | HOUSING WASHER | 1 | | |
| 7 | FPC002PN001 | 1/16" x 7/8" NPT SOCKET PLUG | 3 | | |
| 8 | FPC003PN001 | 1/8" x 3/4" NPT TAPER DRY SEAL PRESS PLUG | 1 | | |
| 9 | FPC010PN002 | 3/8" X 7/8" NPT SOCKET PLUG | 3 | | |
| 10 | HLC012LP002 | HANDLE | 1 | | |
| 11 | PCC003RB006 | Ø3 x 12 mm SELLOCK PIN | 2 | | |
| 12 | PCC005RD002 | Ø5 x 22 mm SPIROL PIN | 2 | | |
| 13 | PCC006RD001 | Ø6 X 22 mm SPIROL PIN | 2 | | |
| 14 | SEC003KT001 | VALVE GASKET | 1 | | ✓ |
| 15 | SEC011BA001 | BACK UP RING | 3 | | ✓ |
| 16 | SEC012BA002 | BACK UP RING | 1 | | ✓ |
| 17 | SEC011RA001 | O-RING - I.D. 8.10 mm, C.S. 1.6 mm, NITRILE 90 | 3 | | ✓ |
| 18 | SEC012RA003 | O-RING - I.D. 9 mm, C.S. 1.50 mm, NITRILE 70 | 1 | | ✓ |
| 19 | SEC016RA002 | O-RING - I.D. 10.77 mm, C.S. 2.62 mm, NITRILE 70 | 4 | | ✓ |
| 20 | SEC049RF001 | O-RING - I.D. 48.90 mm, C.S. 2.62 mm, NITRILE 90 | 1 | | ✓ |
| 21 | SPC005KA001 | SPRING | 1 | | |
| 22 | SPC010CA001 | SPRING | 3 | | |
| 23 | VFC000BD003 | VALVE BODY | 1 | | |
| 24 | VFC000SC001 | SHEAR SEAL COLLAR | 3 | | |
| 25 | VFC000SQ002 | VALVE ROTOR | 1 | | |

| ITEM NO. | PART NUMBER | DESCRIPTION | QTY. | SPARE PARTS | SERVICE PARTS | REVISION |
|----------|--------------|-------------------------------------------------|------|-------------|---------------|----------|
| 26 | VFC000SR002 | SPINDLE | 1 | | | 1 5717 |
| 27 | VFC000ST001 | SHEAR SEAL PLATE | 1 | | | 2 |
| 28 | VFC000SU001 | SHEAR SEAL | 3 | | | 3 |
| 29 | BAC006SN000 | Ø6 mm STEEL BALL | 1 | | | 4 |
| 30 | VA305 | SINGLE PO CHECK VALVE | 1 | | | 5 |
| 31 | BPC010SP004 | 3/8 NPT PLASTIC BLANKING PLUG (RED) | 1 | | | 6 |
| 32 | SEC014RA001 | O-RING - I.D. 9.19mm, C.S. 2.62mm, NITRILE 90 | 4 | | ✓ | 7 |
| 33 | SEC010RF002 | O-RING - I.D. 4.42 mm, C.S. 2.62 mm, NITRILE 70 | 1 | | ✓ | 8 |

NOTE:

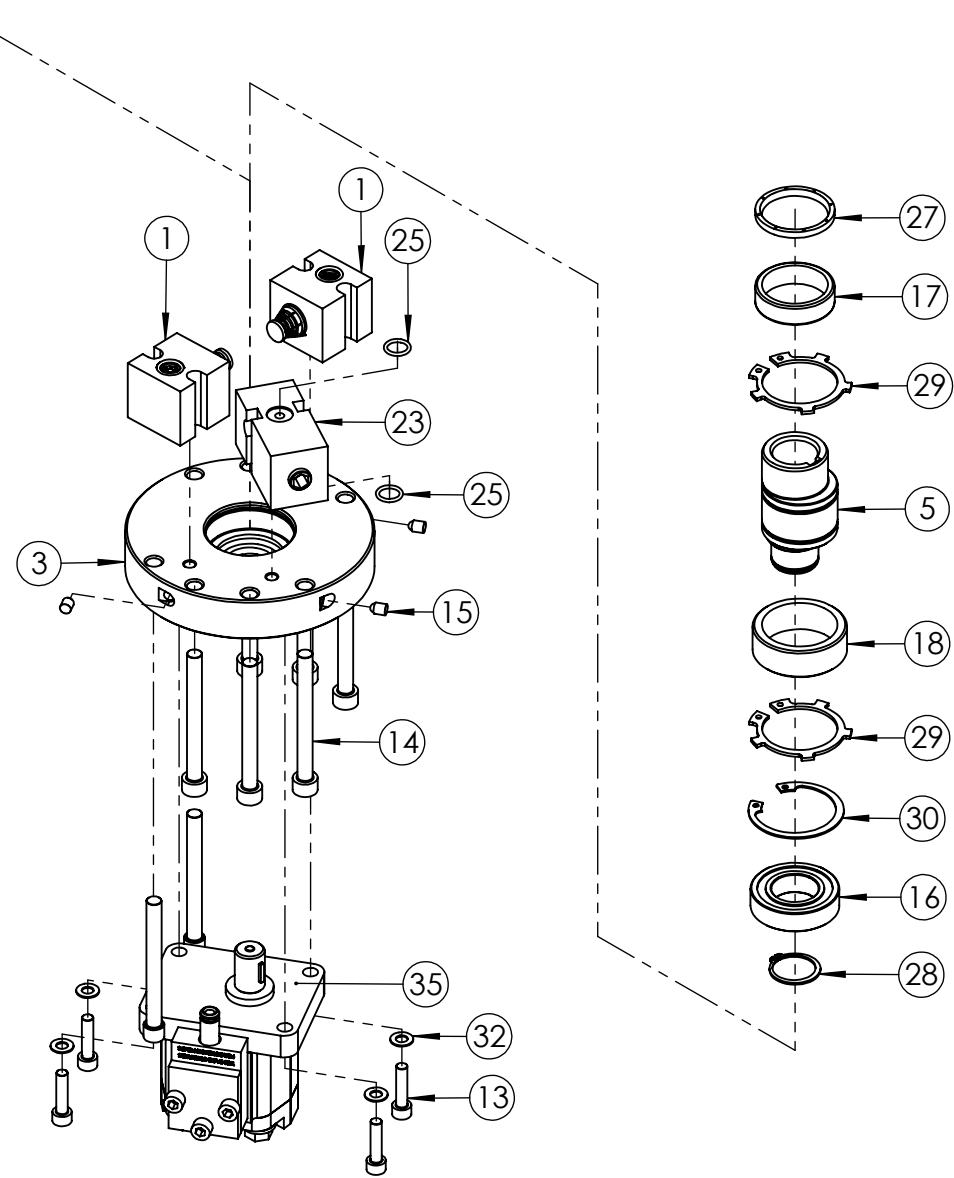
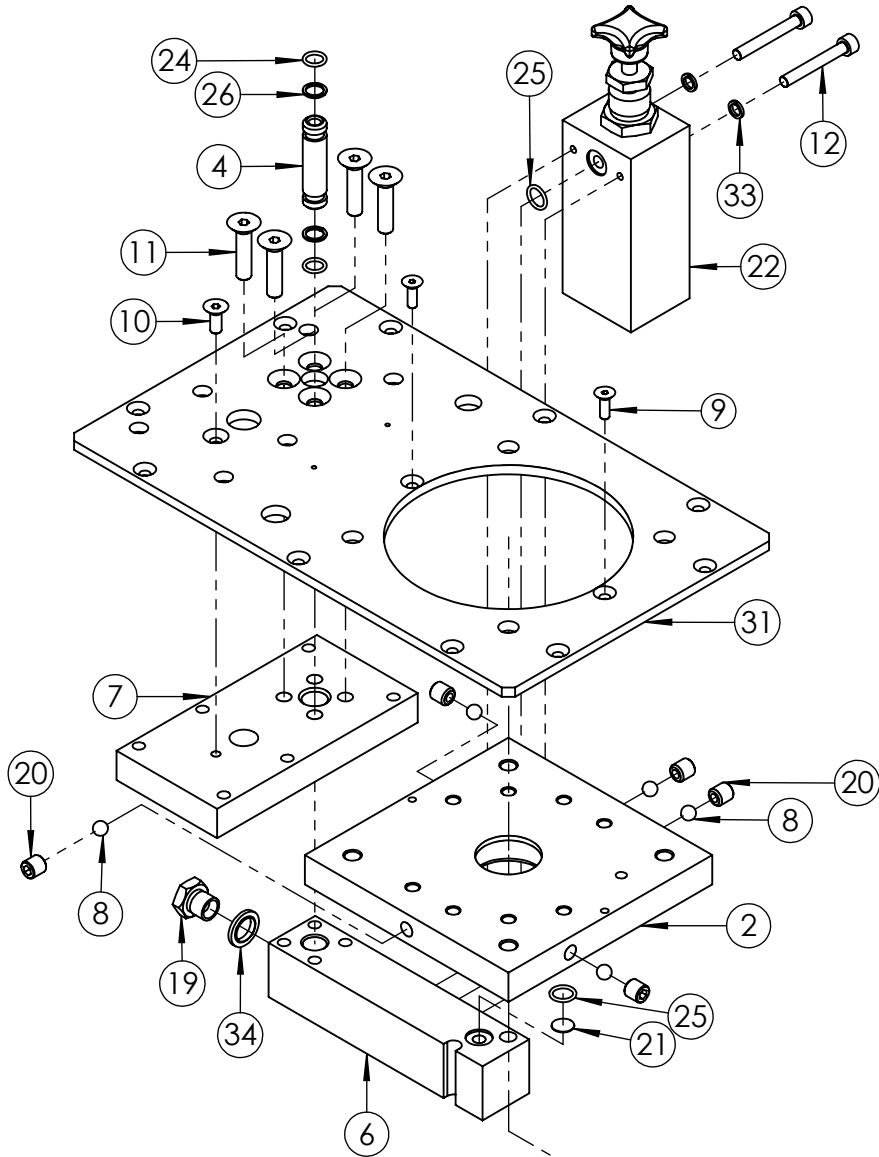
- ALL PARTS ARE AVAILABLE TO BE ORDERED AS SPARE PARTS (UNLESS MARKED WITH **X**).

- ONLY PARTS MARKED WITH **✓** ARE AVAILABLE AS BOTH SPARE PARTS OR SERVICEABLE PARTS, FROM **DCV-M1 : SERVICE KIT (3 & WAY MANUAL VALVES)**. (REFER TO **DCV-M1** EVD FOR FULL PARTS LIST).

- IF ITEM NO. 30 IS ORDERED AS A SPARE PART, THIS ALREADY COMES WITH ITEM NO.s 32 & 33. THEREFORE THESE ARE NOT REQUIRED TO BE ORDERED SEPERATELY.

IMPORTANT

WHEN ORDERING SPARES YOU MUST STATE THE FULL PART NUMBER AND THE PRODUCT SERIAL NUMBER - FROM THE LABEL TO PROTECT YOUR WARRANTY ALWAYS USE GENUINE HI-FORCE PARTS.



REVISION

| | |
|----------|-------------|
| 1 | 5717 |
| 2 | 5866 |
| 3 | 5939 |
| 4 | |
| 5 | |
| 6 | |
| 7 | |
| 8 | |
| 9 | |
| 10 | |
| 11 | |
| 12 | |
| 13 | |
| 14 | |
| 15 | |
| 16 | |
| 17 | |
| 18 | |
| 19 | |
| 20 | |

IMPORTANT

WHEN ORDERING SPARES YOU MUST STATE THE FULL PART NUMBER AND THE PRODUCT SERIAL NUMBER - FROM THE LABEL TO PROTECT YOUR WARRANTY ALWAYS USE GENUINE HI-FORCE PARTS.

| ITEM NO. | PART NUMBER | DESCRIPTION | QTY. | SPARE PARTS | SERVICE PARTS |
|----------|----------------|--------------------------------------------------|------|-------------|---------------|
| 1 | 15494-A | PISTON BLOCK ASSEMBLY | 2 | | |
| 2 | 15497 | UPPER PLATE | 1 | | |
| 3 | 15499 | LOWER PLATE | 1 | | |
| 4 | 15503 | CONNECTOR PIPE | 1 | | |
| 5 | 15505 | 24mm DRIVE SHAFT | 1 | | |
| 6 | 17587 | TRANSFER BLOCK | 1 | | |
| 7 | 17588 | VALVE PLATE | 1 | | |
| 8 | BAC008SN000 | Ø8 mm STEEL BALL GRADE 100 | 5 | | |
| 9 | BLC005HF016 | M5 x 16 mm HEX SOCKET COUNTERSUNK SCREW | 2 | | |
| 10 | BLC006JE016 | M6 x 16 mm HEX SOCKET COUNTERSUNK SCREW | 1 | | |
| 11 | BLC008KF035 | M8 x 35 mm HEX SOCKET COUNTERSUNK SCREW | 4 | | |
| 12 | BLC006JC045 | M6 x 45 mm HEX SOCKET CAP HEAD SCREW | 2 | | |
| 13 | BLC006JD025 | M6 x 25 mm HEX SOCKET CAP HEAD SCREW | 4 | | |
| 14 | BLC008KC080 | M8 x 80 mm HEX SOCKET CAP HEAD SCREW | 6 | | |
| 15 | BPC006RS001 | SEALING PLUG | 3 | | |
| 16 | BSC025MC001 | LOWER PLATE BEARING | 1 | | |
| 17 | BSC035NC001 | UPPER PLATE BEARING | 1 | | |
| 18 | BSC040ND001 | ECCENTRIC BEARING | 1 | | |
| 19 | FAS006GJ010 | 1/4" BSP HEX HEAD BLANKING PLUG | 1 | | |
| 20 | FAS010MA010 | M10 X 10 CUP POINT GRUB SCREW | 5 | | |
| 21 | FFC012MA001 | SUCTION FILTER | 1 | | |
| 22 | HPRV1 | HIGH PRESSURE R/VALVE | 1 | | |
| 23 | LPRV1 | LOW PRESSURE R/VALVE | 1 | | |
| 24 | SEC013RA001 | O-RING - I.D. 9.25mm, C.S. 1.78mm, NITRILE 90 | 2 | | ✓ |
| 25 | SEC014RF001 | O-RING - I.D. 10.82 mm, C.S. 1.78 mm, NITRILE 90 | 4 | | ✓ |

| ITEM NO. | PART NUMBER | DESCRIPTION | QTY. | SPARE PARTS | SERVICE PARTS |
|----------|--------------------|--------------------------------------------|------|-------------|---------------|
| 26 | SEC013BA001 | BACK-UP RING - PTFE, SOLID SPLIT | 2 | | ✓ |
| 27 | SEC035WE001 | UPPER PLATE OIL SEAL | 1 | | |
| 28 | STC025AA001 | EXTERNAL CIRCLIP - 25 x 1.2 mm D1400/025 | 1 | | |
| 29 | STC040AA001 | EXTERNAL CIRCLIP - 40 x 1.75 mm D2100/0400 | 2 | | |
| 30 | STC047BA001 | INTERNAL CIRCLIP - 47 x 1.75 mm D1300/0470 | 1 | | |
| 31 | TAC000BA003 | COVER PLATE | 1 | | |
| 32 | WAC006AF000 | M6 ZINC WASHER | 4 | | |
| 33 | WAC006BC001 | M6 SPRING ZINC WASHER (SQUARE SECTION) | 2 | | |
| 34 | WAC007HD000 | 1/4" BSP SELF CENTERING BONDED WASHER | 1 | | |
| 35 | PMA048GZ001 | GP48 GEAR PUMP ASSEMBLY | 1 | | |

| REVISION | |
|----------|------|
| 1 | 5717 |
| 2 | 5866 |
| 3 | 5939 |
| 4 | |
| 5 | |
| 6 | |
| 7 | |
| 8 | |
| 9 | |
| 10 | |
| 11 | |
| 12 | |
| 13 | |
| 14 | |
| 15 | |
| 16 | |
| 17 | |
| 18 | |
| 19 | |
| 20 | |

NOTE:

- ALL PARTS ARE AVAILABLE TO BE ORDERED AS SPARE PARTS (UNLESS MARKED WITH X).
- ONLY PARTS MARKED WITH ✓ ARE AVAILABLE AS BOTH SPARE PARTS OR SERVICEABLE PARTS, FROM **HEP-SK1 PUMP SERVICE KIT**. (REFER TO HEP-SK1: PUMP SERVICE KIT EVD FOR FULL PARTS LIST)
- IF ITEM NO. 23 (**LPRV1**) IS ORDERED AS A SPARE PART, THIS ALREADY COMES WITH 2 OFF ITEM NO. 25 (**SEC014RF001**). THEREFORE THESE ARE NOT REQUIRED TO BE ORDERED SPERATELY.
- FOR SUB ASSEMBLIES - ITEM NO. 1 (**15494-A**) & ITEM NO. 35 (**PMA048GZ001**) REFER TO THEIR INDIVIDUAL EVD'S.

IMPORTANT

WHEN ORDERING SPARES YOU MUST STATE THE FULL PART NUMBER AND THE PRODUCT SERIAL NUMBER - FROM THE LABEL TO PROTECT YOUR WARRANTY ALWAYS USE GENUINE HI-FORCE PARTS.