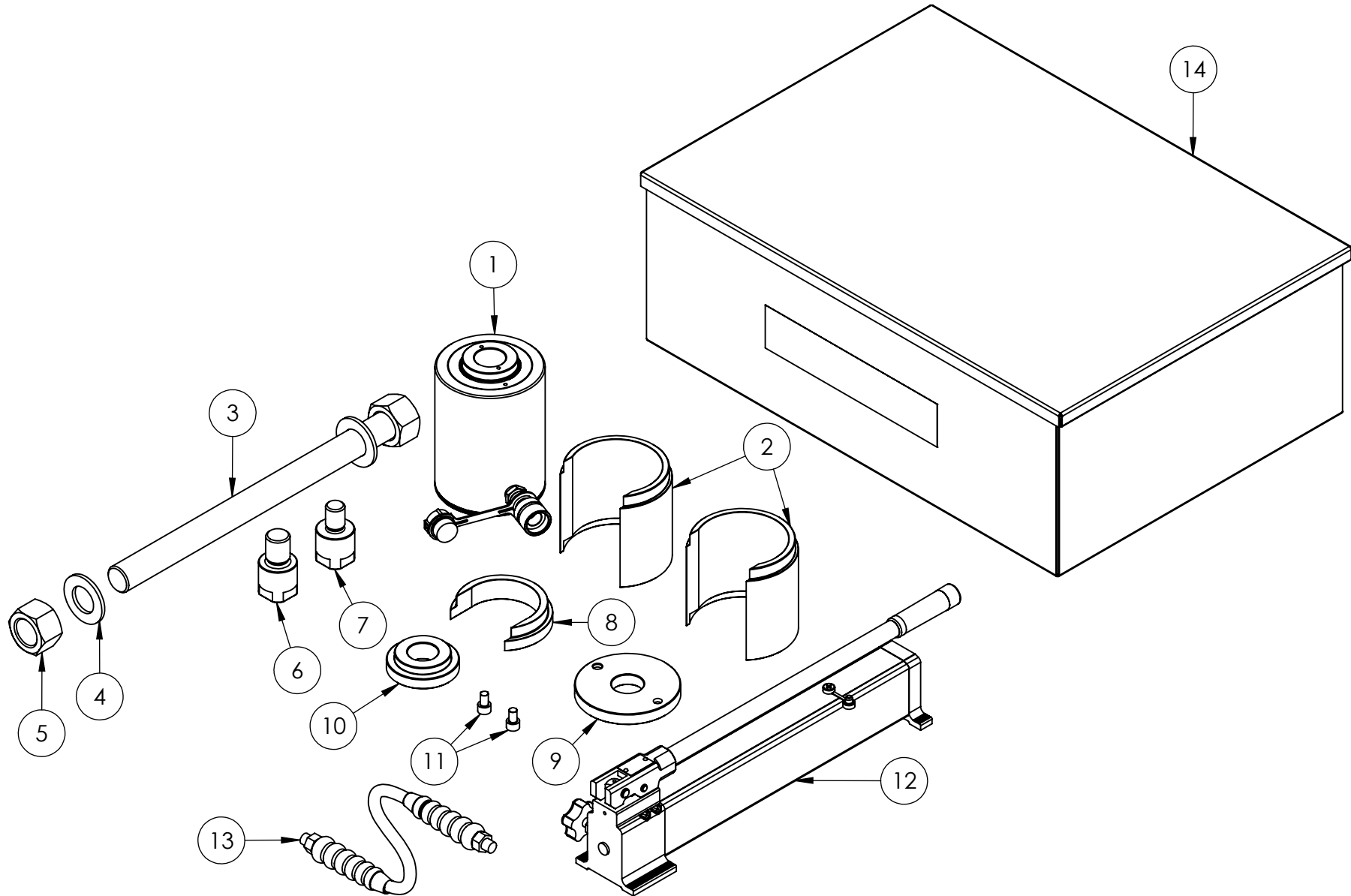


REVISION

1	4681
2	6324
3	
4	
5	
6	
7	
8	
9	
10	
11	
12	
13	
14	
15	
16	
17	
18	
19	
20	



IMPORTANT
WHEN ORDERING SPARES YOU MUST STATE THE FULL PART NUMBER AND THE PRODUCT SERIAL NUMBER - FROM THE LABEL TO PROTECT YOUR WARRANTY ALWAYS USE GENUINE HI-FORCE PARTS.

REVISION

1 4681

2 6324

3

4

5

6

7

8

9

10

11

12

13

14

15

16

17

18

19

20

ITEM NO.	PART NUMBER	DESCRIPTION	QTY.	SPARE PARTS
1	HHA372	HHA372 SINGLE ACTING HOLLOW CYLINDER	1	
2	ADC050GE001	PULL SLEEVE (SMALL)	2	
3	TBC036MU001	M36 x 4 THREADED ROD x 500mm	1	
4	WAC036AF001	PLAIN WASHER	2	
5	NUC036SA001	M36 NUT (CLASS 12)	2	
6	ADC037GH002	REDUCER M36 TO M30	1	
7	ADC037GH001	REDUCER M36 TO M24	1	
8	ADC050GE003	REDUCER SLEEVE	1	
9	ADC037GF001	ADAPTOR PLATE	1	
10	ADC037GG001	STEPPED PRESS PLATE	1	
11	BLC010LD016	SOCKET CAP HD SCREW	2	
12	HP212	HP212 SINGLE ACTING MANUAL PUMP	1	
13	HC2	2m HIGH PRESSURE HYDRAULIC HOSE (BLACK, CM1 ON ONE END, 3/8" NPT ON OTHER END)	1	
14	MSB6	METAL STORAGE & TRANSPORT BOX	1	

NOTE:

- ALL PARTS ARE AVAILABLE TO BE ORDERED AS INDIVIDUAL SPARE PARTS (UNLESS MARKED WITH X).
- **HHA37TP1-K** SERVICE KIT IS AVAILABLE FOR ITEM NO. 1 - **HHA372**

IMPORTANT

WHEN ORDERING SPARES YOU MUST STATE THE FULL PART NUMBER AND THE PRODUCT SERIAL NUMBER - FROM THE LABEL TO PROTECT YOUR WARRANTY ALWAYS USE GENUINE HI-FORCE PARTS.