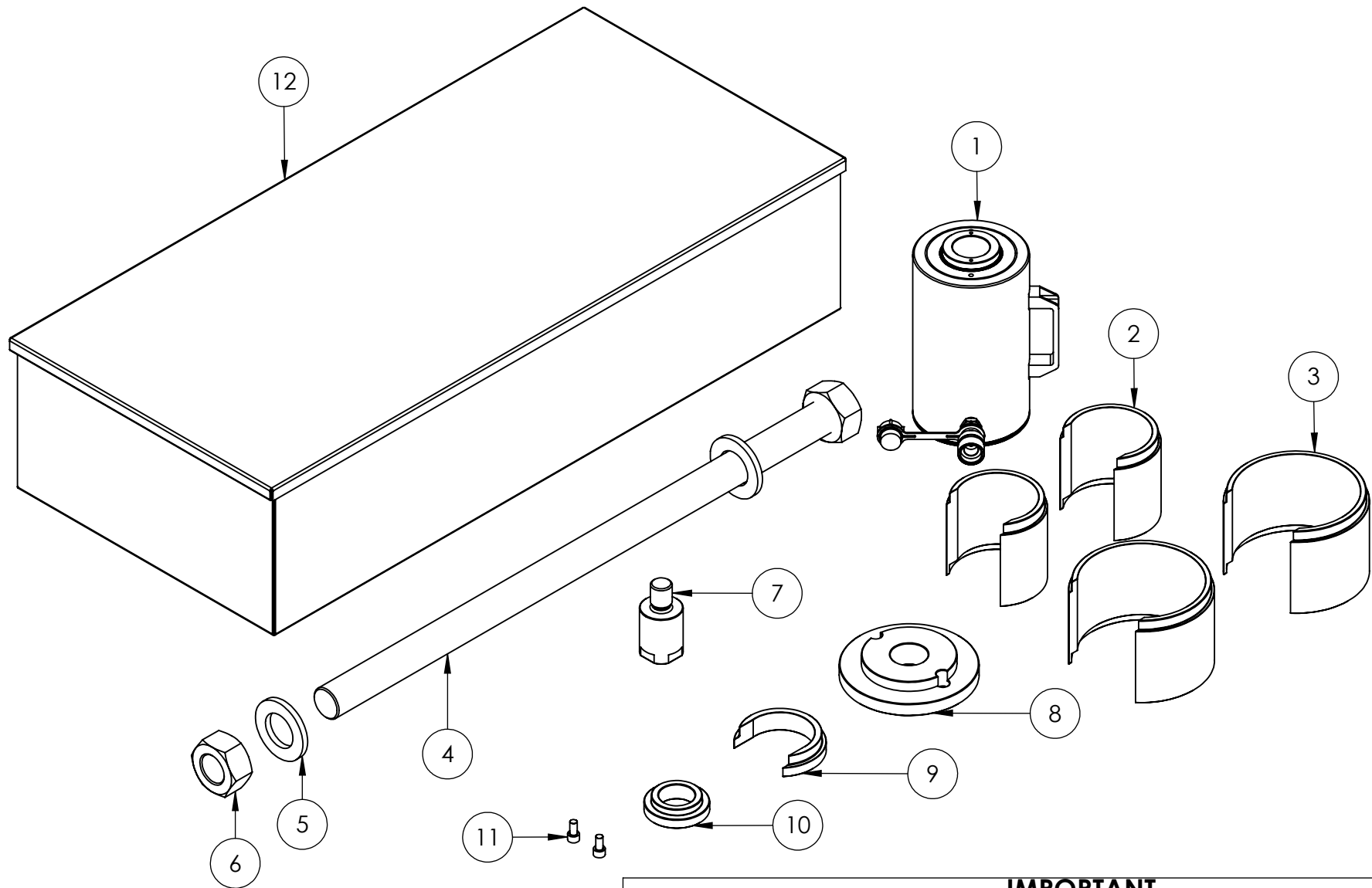


REVISION

1	4681
2	6324
3	
4	
5	
6	
7	
8	
9	
10	
11	
12	
13	
14	
15	
16	
17	
18	
19	
20	



**IMPORTANT**  
WHEN ORDERING SPARES YOU MUST STATE THE FULL PART NUMBER AND THE PRODUCT SERIAL NUMBER - FROM THE LABEL TO PROTECT YOUR WARRANTY ALWAYS USE GENUINE HI-FORCE PARTS.

REVISION

1 4681

2 6324

3

4

5

6

7

8

9

10

11

12

13

14

15

16

17

18

19

20

ITEM NO.	PART NUMBER	DESCRIPTION	QTY.	SPARE PARTS
1	<b>HHA504</b>	HHA504 SINGLE ACTING HOLLOW CYLINDER	1	
2	ADC050GE001	PULL SLEEVE (SMALL)	2	
3	ADC050GE002	PULL SLEEVE (LARGE)	2	
4	TBC048MW001	M48 x 5 THREADED ROD x 1000 mm LENGTH	1	
5	WAC048AF001	PLAIN WASHER	2	
6	NUC048TA001	M48 NUT (CLASS 12)	2	
7	ADC050GH001	REDUCER M48 TO M30	1	
8	ADC050GF001	ADAPTOR PLATE	1	
9	ADC050GE003	REDUCER SLEEVE	1	
10	ADC050GG001	STEPPED PRESS PLATE	1	
11	BLC010LU020	SOCKET CAP HD SCREW	2	
12	MSB8	METAL STORAGE & TRANSPORT BOX	1	

**NOTE:**

- ALL PARTS ARE AVAILABLE TO BE ORDERED AS INDIVIDUAL SPARE PARTS (UNLESS MARKED WITH X).
- **HHA50TP1-K** SERVICE KIT IS AVAILABLE FOR ITEM NO. 1 - **HHA504**

**IMPORTANT**

WHEN ORDERING SPARES YOU MUST STATE THE FULL PART NUMBER AND THE PRODUCT SERIAL NUMBER - FROM THE LABEL TO PROTECT YOUR WARRANTY ALWAYS USE GENUINE HI-FORCE PARTS.