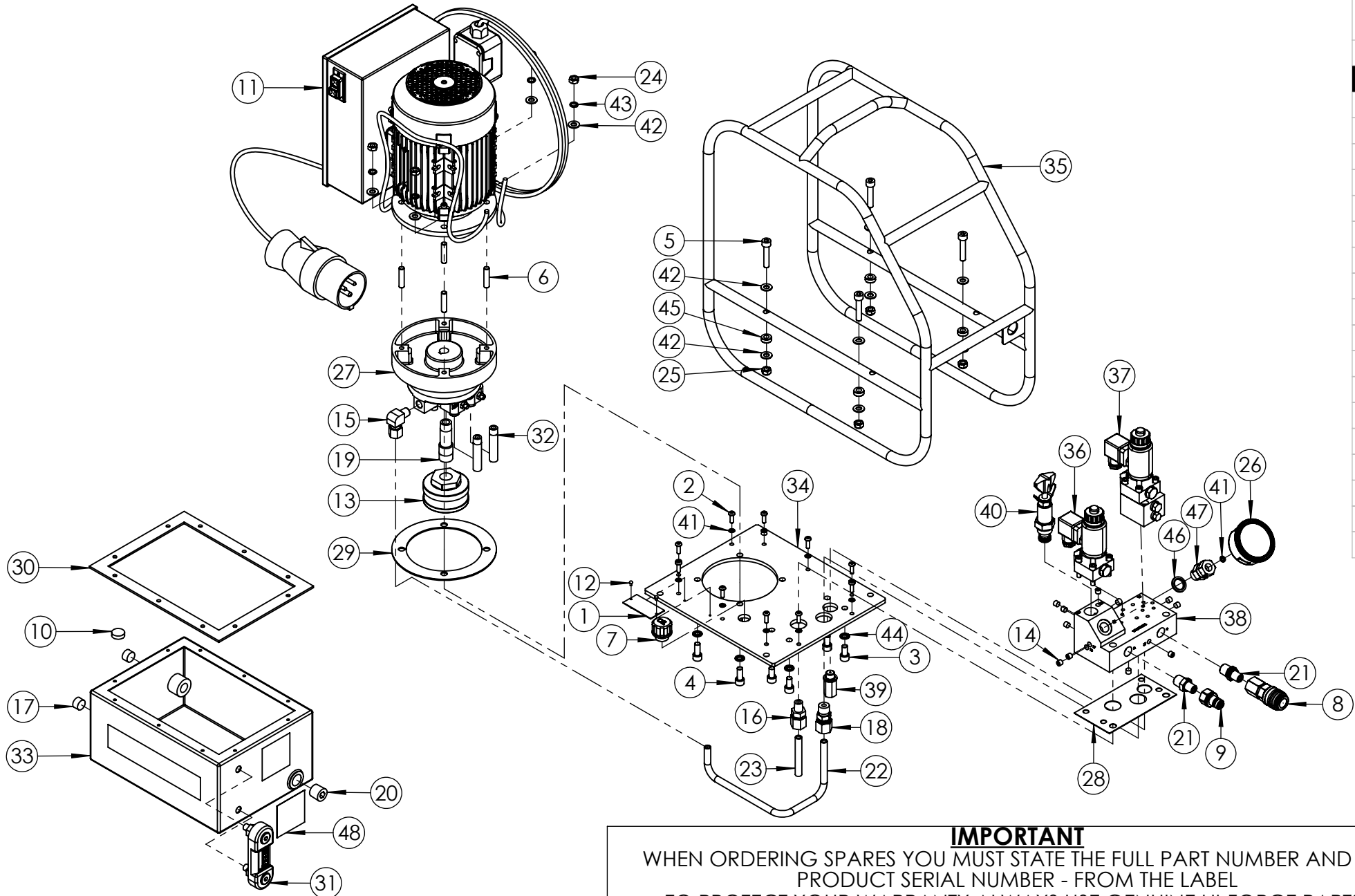


REVISION

1	5601
2	6294
3	
4	
5	
6	
7	
8	
9	
10	
11	
12	
13	
14	
15	
16	
17	
18	
19	
20	



IMPORTANT
WHEN ORDERING SPARES YOU MUST STATE THE FULL PART NUMBER AND THE PRODUCT SERIAL NUMBER - FROM THE LABEL TO PROTECT YOUR WARRANTY ALWAYS USE GENUINE HI-FORCE PARTS.

ITEM NO.	PART NUMBER	DESCRIPTION	QTY	SPARE PARTS	SERVICE PARTS
1	AAN000UP001	60 x 30 mm UNIVERSAL NAME PLATE	1	x	
2	BLC005HH016	M5 x 16 BUTTON HEAD SCREW	10		
3	BLC008KD016	M8 x 16 mm HEX SOCKET CAP HEAD SCREW	4		
4	BLC008KD020	M8 x 20 mm HEX SOCKET CAP HEAD SCREW	4		
5	BLC008KD040	M8 x 40 HEX SOCKET CAP HEAD SCREW	4		
6	BLC008ST000	M8X35MM ENGINEERING STUD	4		
7	BPC020SP001	FILLER	1		
8	CF4F	COUPLER	1		
9	CM4F	COUPLER	1		
10	DCSF00328	DOUBLE SIDED MAGNET	1		
11	EMA120MD001	120V 60HZ MOTOR ASSEMBLY	1		
12	FAS002HZ001	NO.4 x 3/16 HAMMER DRIVE SCREW	2		
13	FFC045MZ001	FILTER	1		
14	FPC002PN001	1/16"NPTF x 7/8" TAPER PLUG	11		
15	FPC006DB001	FITTING	1		
16	FPC006YN001	MALE CONNECTOR 1/4" NPT x 10mm	1		
17	FPC010PN002	3/8" X 7/8" NPT SOCKET PLUG	2		
18	FPC010YN001	MALE STUD COUPLER	1		
19	FPC013BA001	REDUCER 1/2" NPT TO 3/8" BSPT	1		
20	FPC013PC001	1/2" BSP PLUG - HEX SOCKET	1		
21	HF27	M/M ADAPTOR	2		
22	HOC006PS025	PRE BENT TUBE	1		
23	HOC006PS020	TUBE	1		
24	NUC008KA000	NUT	4		
25	NUC008KC000	M8 NYLOC NUT	4		
26	PG2G	PRESSURE GAUGE	1		
27	PMC014CF002	PUMP HEART	1		
28	SEC001KT010	GASKET	1	x	✓
29	SEC002KT014	PUMP GASKET	1	x	✓
30	SEC003KT009	TANK GASKET	1	x	✓
31	TAC000FT006	LEVEL TEMP GAUGE	1		

ITEM NO.	PART NUMBER	DESCRIPTION	QTY	SPARE PARTS	SERVICE PARTS	REVISION
32	TAC000PP001	RETURN PIPE	2			1 5601
33	TAC005AR002	TANK	1			2 6294
34	TAC005BR005	TANK LID	1			3
35	TAC005CS002	WELDED ROLL FRAME	1			4
36	VFC000CD005	2/2 VALVE	1			5
37	VFC000CD008	4/2 VALVE	1			6
38	VFC010RD016	MANIFOLD BLOCK	1			7
39	VRA700AF002	RELIEF VALVE	1			8
40	VRC700ZE002	ADJUSTABLE RELIEF VALVE	1			9
41	WAC005EC001	M5 X 9 X 1.0 COPPER SEALING WASHER	11	x	✓	10
42	WAC008AB000	M8 PLAIN WASHER	12			11
43	WAC008BB000	M8 ZINC PLATED SPRING WASHER	4			12
44	WAC008KD000	DOWTY WASHER	8	x	✓	13
45	WAC008RH001	M8 SADDLE WASHER FOR 16MM TUBE	4			14
46	WAC010HD000	3/8" BSP DOWTY WASHER	1	x	✓	15
47	FPC010GR001	3/8 BSP MALE X 1/4 BSP FEMALE SWIVEL ADAPTOR	1			16
48	SS60X60	SAFETY STICKER 100 X 100 mm	1			17
*	BPC020SP002	FILLER PLUG	1			18
						19
						20

NOTE:

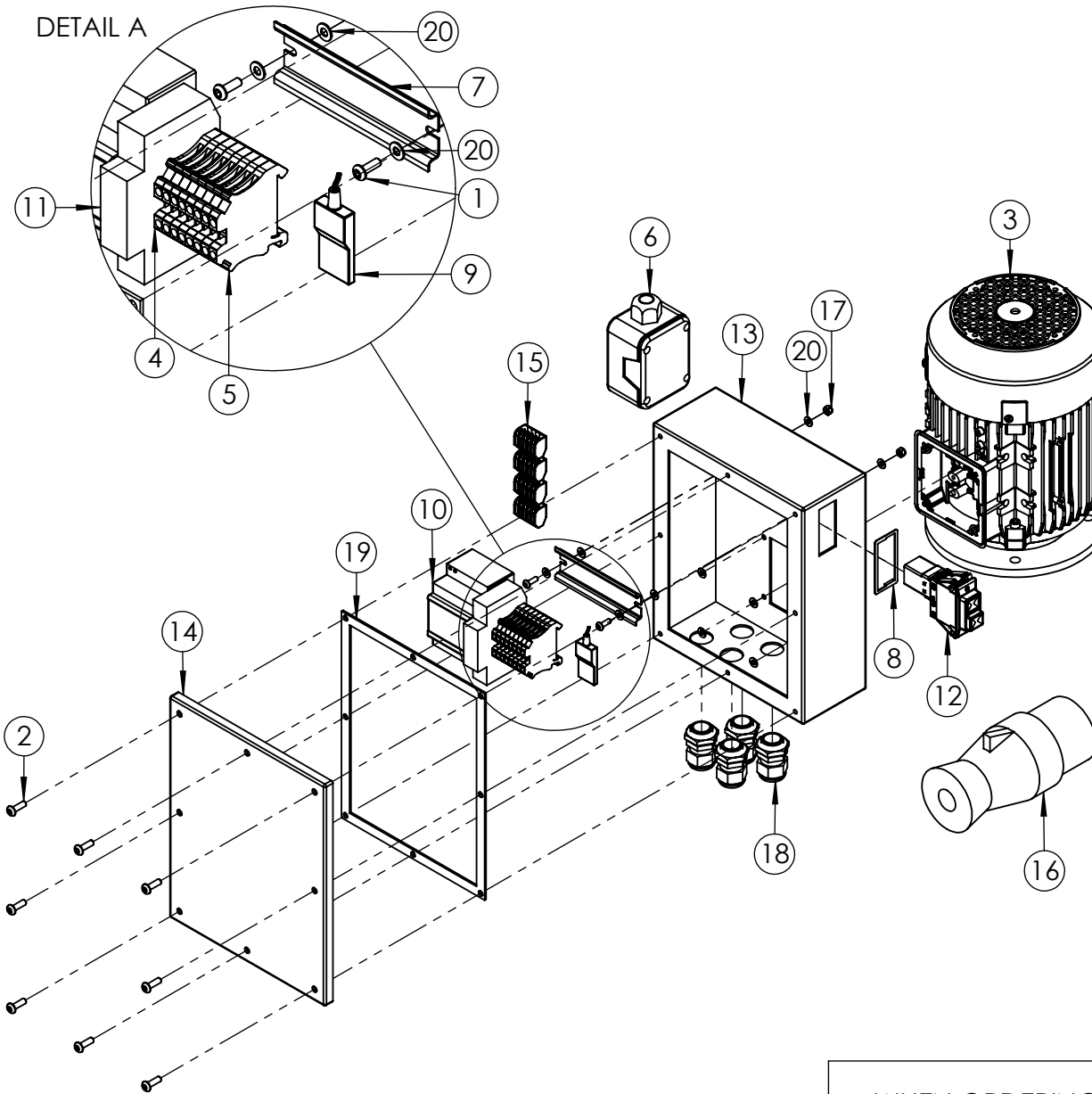
- ALL PARTS ARE AVAILABLE TO BE ORDERED AS SPARE PARTS (UNLESS MARKED WITH **x**).

- ALL PARTS MARKED WITH ✓ ARE **ONLY** AVAILABLE AS SERVICEABLE PARTS FOUND IN: **HTWP2141-2TP1-K: SERVICE KIT** (REFER TO HTWP2141-2TP1-K: SERVICE KIT EVD FOR FULL PARTS LIST).

- FOR SUB-ASSEMBLIES (ITEM NO.S 11) REFER TO THEIR INDIVIDUAL EVD'S

IMPORTANT

WHEN ORDERING SPARES YOU MUST STATE THE FULL PART NUMBER AND THE PRODUCT SERIAL NUMBER - FROM THE LABEL TO PROTECT YOUR WARRANTY ALWAYS USE GENUINE HI-FORCE PARTS.



ITEM NO.	PART NUMBER	DESCRIPTION	QTY.	SPARE PARTS	REVISION
1	BLC004-H012	M4 x 12mm HEX SOCKET BUTTON HEAD SCREW	2		1 6294
2	BLC005HH016	M5 x 16 BUTTON HEAD SCREW	8		2
3	EM120-0.75-4HLAF	MOTOR WITH BOX REMOVED	1		3
4	EMC000NZ001	TERMINAL BLOCK	7		4
5	EMC000NZ002	EARTH TERMINAL BLOCK	1		5
6	EMC000VZ003	PENDANT	1		6
7	EMC000XZ001	DIN RAIL	1		7
8	EMC000XZ002	CIRCUIT BREAKER SPACER	1		8
9	EMC024CA001	DELAY TIMER	1		9
10	EMC024TB001	POWER SUPPLY 24 V DC	1		10
11	EMC110DZ001	HOUR TIMER	1		11
12	EMC110UE001	3120 OVERLOAD	1		12
13	EMC240EZ001	ENCLOSURE BOX	1		13
14	EMC240EZ002	ENCLOSURE LID	1		14
15	EMC400NG001	5-WAY LEVER CONNECTOR	4		15
16	MCC110EP002	110V PLUG 32A	1		16
17	NUC004VC000	NUT	2		17
18	NUC020LS002	GLAND 6-12MM	4		18
19	SEC002KT015	ENCLOSURE GASKET	1		19
20	WAC004FS000	NYLON WASHER	10		20

NOTE:

- ALL PARTS ARE AVAILABLE TO BE ORDERED AS INDIVIDUAL SPARE PARTS (UNLESS MARKED WITH X).

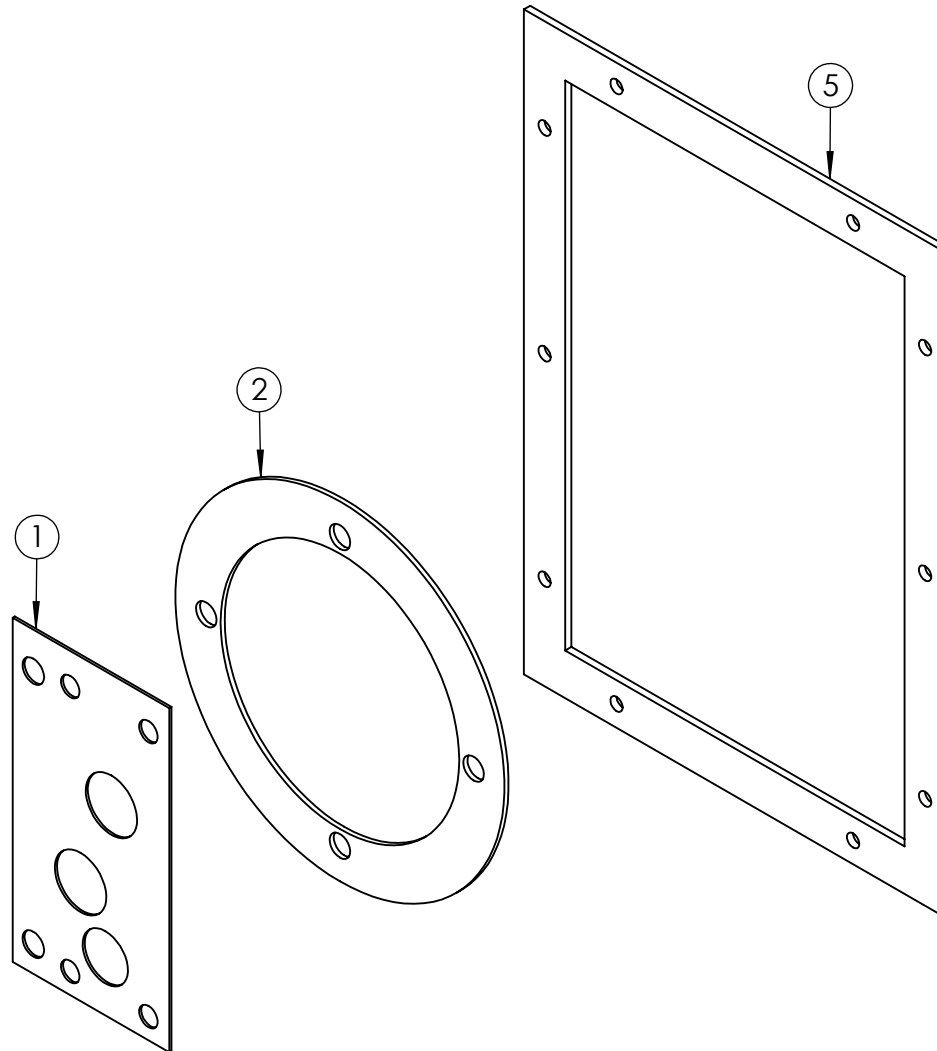
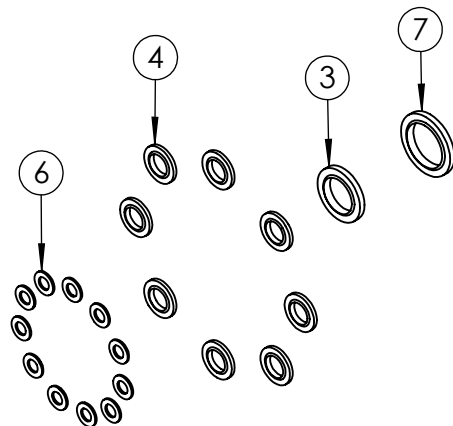
IMPORTANT

WHEN ORDERING SPARES YOU MUST STATE THE FULL PART NUMBER AND THE PRODUCT SERIAL NUMBER - FROM THE LABEL TO PROTECT YOUR WARRANTY ALWAYS USE GENUINE HI-FORCE PARTS.

ITEM NO.	PART NUMBER	DESCRIPTION	QTY.
1	SEC001KT010	GASKET	1
2	SEC002KT014	PUMP GASKET	1
3	WAC007HD000	1/4" BSP SELF CENTERING BONDED WASHER	1
4	WAC008KD000	DOWTY WASHER	8
5	SEC003KT009	TANK GASKET	1
6	WAC005EC001	M5 X 9 X 1.0 COPPER SEALING WASHER	11
7	WAC010HD000	3/8" BSP DOWTY WASHER	1

REVISION

1	6294
2	
3	
4	
5	
6	
7	
8	
9	
10	
11	
12	
13	
14	
15	
16	
17	
18	
19	
20	



IMPORTANT

WHEN ORDERING SPARES YOU MUST STATE THE FULL PART NUMBER AND THE PRODUCT SERIAL NUMBER - FROM THE LABEL TO PROTECT YOUR WARRANTY ALWAYS USE GENUINE HI-FORCE PARTS.