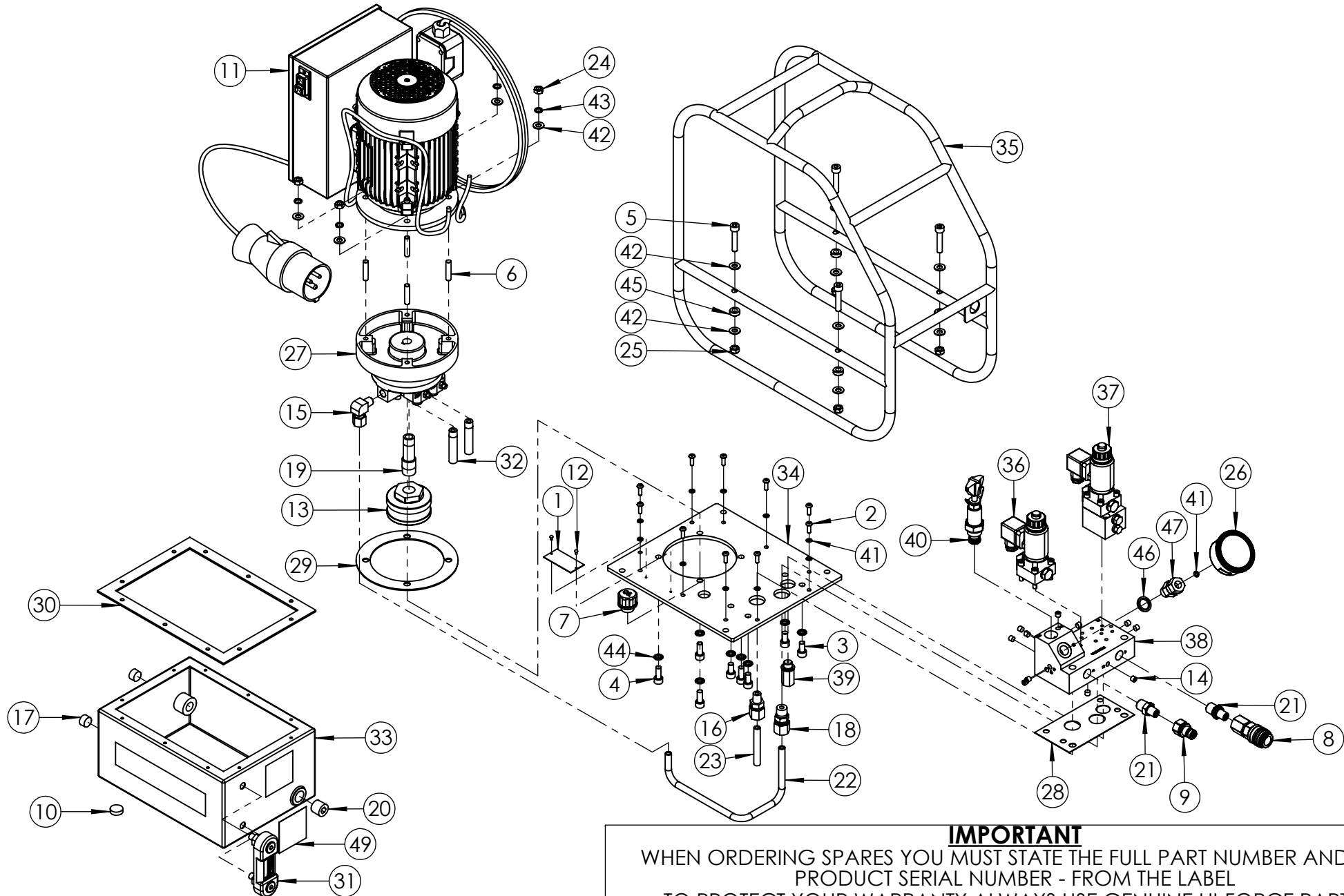


REVISION

1	5227
2	5601
<b>3</b>	<b>6294</b>
4	
5	
6	
7	
8	
9	
10	
11	
12	
13	
14	
15	
16	
17	
18	
19	
20	



**IMPORTANT**  
WHEN ORDERING SPARES YOU MUST STATE THE FULL PART NUMBER AND THE PRODUCT SERIAL NUMBER - FROM THE LABEL TO PROTECT YOUR WARRANTY ALWAYS USE GENUINE HI-FORCE PARTS.

ITEM NO.	PART NUMBER	DESCRIPTION	QTY.	SPARE PARTS	SERVICE PARTS
1	AAN000UP001	60 x 30 mm UNIVERSAL NAME PLATE	1	x	
2	BLC005HH016	M5 x 16 BUTTON HEAD SCREW	10		
3	BLC008KD016	M8 x 16 mm HEX SOCKET CAP HEAD SCREW	4		
4	BLC008KD020	M8 x 20 mm HEX SOCKET CAP HEAD SCREW	4		
5	BLC008KD040	M8 x 40 HEX SOCKET CAP HEAD SCREW	4		
6	BLC008ST000	M8X35MM ENGINEERING STUD	4		
7	BPC020SP001	FILLER	1		
8	CF4F	COUPLER	1		
9	CM4F	COUPLER	1		
10	DCSF00328	DOUBLE SIDED MAGNET	1		
11	<b>EMA230MC001</b>	230V MOTOR ASSEMBLY	1		
12	FAS002HZ001	NO.4 x 3/16 HAMMER DRIVE SCREW	2		
13	FFC045MZ001	FILTER	1		
14	FPC002PN001	1/16"NPTF x 7/8" TAPER PLUG	11		
15	FPC006DB001	FITTING	1		
16	FPC006YN001	MALE CONNECTOR 1/4" NPT x 10mm	1		
17	FPC010PN002	3/8" X 7/8" NPT SOCKET PLUG	2		
18	FPC010YN001	MALE STUD COUPLER	1		
19	FPC013BA001	REDUCER	1		
20	FPC013PC001	1/2" BSP PLUG - HEX SOCKET	1		
21	HF27	M/M ADAPTOR	2		
22	HOC006PS025	PRE BENT TUBE	1		
23	HOC006PS020	TUBE	1		
24	NUC008KA000	NUT	4		
25	NUC008KC000	M8 NYLOC NUT	4		
26	PG2G	PRESSURE GAUGE	1		
27	PMC014CF002	PUMP HEART	1		
28	SEC001KT010	GASKET	1	x	✓
29	SEC002KT014	PUMP GASKET	1	x	✓
30	SEC003KT009	TANK GASKET	1	x	✓
31	TAC000FT006	LEVEL TEMP GAUGE	1		
32	TAC000PP001	RETURN PIPE	2		

ITEM NO.	PART NUMBER	DESCRIPTION	QTY.	SPARE PARTS	SERVICE PARTS
33	TAC005AR002	TANK	1		
34	TAC005BR005	TANK LID	1		
35	TAC005CS002	WELDED ROLL FRAME	1		
36	VFC000CD005	2/2 VALVE	1		
37	VFC000CD008	4/2 VALVE	1		
38	VFC010RD016	MANIFOLD BLOCK	1		
39	VRA700AF002	RELIEF VALVE	1		
40	VRC700ZE002	ADJUSTABLE RELIEF VALVE	1		
41	WAC005EC001	M5 X 9 X 1.0 COPPER SEALING WASHER	11	x	✓
42	WAC008AB000	M8 PLAIN WASHER	12		
43	WAC008BB000	M8 ZINC PLATED SPRING WASHER	4		
44	WAC008KD000	DOWTY WASHER	8	x	✓
45	WAC008RH001	M8 SADDLE WASHER FOR 16MM TUBE	4		
46	WAC010HD000	3/8" BSP DOWTY WASHER	1	x	✓
47	FPC010GR001	3/8 BSP MALE X 1/4 BSP FEMALE SWIVEL ADAPTOR	1		
49	SS60X60	SAFETY STICKER 100 X 100 mm	1		
*	BPC020SP002	FILLER PLUG	1		

REVISION	
1	5227
2	5601
3	6294
4	
5	
6	
7	
8	
9	
10	
11	
12	
13	
14	
15	
16	
17	
18	
19	
20	

**NOTE:**

- ALL PARTS ARE AVAILABLE TO BE ORDERED AS SPARE PARTS (UNLESS MARKED WITH **x**).

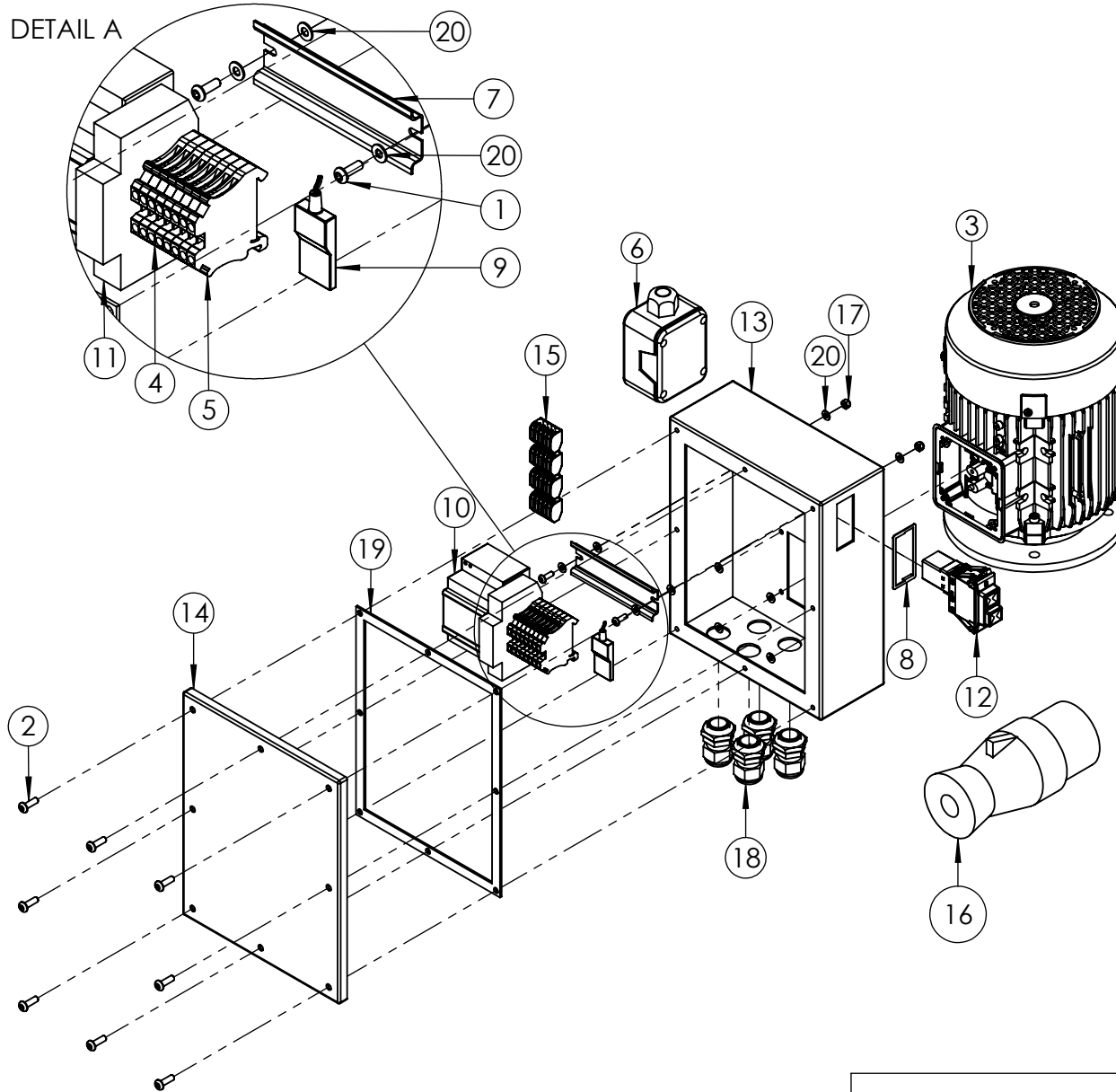
- ONLY PARTS MARKED WITH **✓** ARE AVAILABLE AS BOTH SPARE PARTS OR SERVICEABLE PARTS, FROM **HTWP2141-2TP1-K: SERVICE KIT** (REFER TO HTWP2141-2TP1-K: SERVICE KIT EVD FOR FULL PARTS LIST).

- FOR SUB-ASSEMBLIES (ITEM NO.S **11**) REFER TO THEIR INDIVIDUAL EVD's

**IMPORTANT**

WHEN ORDERING SPARES YOU MUST STATE THE FULL PART NUMBER AND THE PRODUCT SERIAL NUMBER - FROM THE LABEL TO PROTECT YOUR WARRANTY ALWAYS USE GENUINE HI-FORCE PARTS.

DETAIL A



ITEM NO.	PART NUMBER	DESCRIPTION	QTY.	SPARE PARTS	REVISION
1	BLC004-H012	M4 x 12mm HEX SOCKET BUTTON HEAD SCREW	2		1 6294
2	BLC005HH016	M5 x 16 BUTTON HEAD SCREW	8		2
3	EM230-0.75-4LAF	MOTOR WITH BOX REMOVED	1		3
4	EMC000NZ001	TERMINAL BLOCK	7		4
5	EMC000NZ002	EARTH TERMINAL BLOCK	1		5
6	EMC000VZ003	PENDANT	1		6
7	EMC000XZ001	DIN RAIL	1		7
8	EMC000XZ002	CIRCUIT BREAKER SPACER	1		8
9	EMC024CA001	DELAY TIMER	1		9
10	EMC024TB001	POWER SUPPLY 24 V DC	1		10
11	EMC240DZ001	HOUR TIMER	1		11
12	EMC240UC001	CIRCUIT BREAKER 240V 4A	1		12
13	EMC240EZ001	ENCLOSURE BOX	1		13
14	EMC240EZ002	ENCLOSURE LID	1		14
15	EMC400NG001	5-WAY LEVER CONNECTOR	4		15
16	MCC240EP002	240V 16 Amp PLUG	1		16
17	NUC004VC000	NUT	2		17
18	NUC020LS002	GLAND 6-12MM	4		18
19	SEC002KT015	ENCLOSURE GASKET	1		19
20	WAC004FS000	NYLON WASHER	10		20

**NOTE:**

- ALL PARTS ARE AVAILABLE TO BE ORDERED AS INDIVIDUAL SPARE PARTS (UNLESS MARKED WITH x).

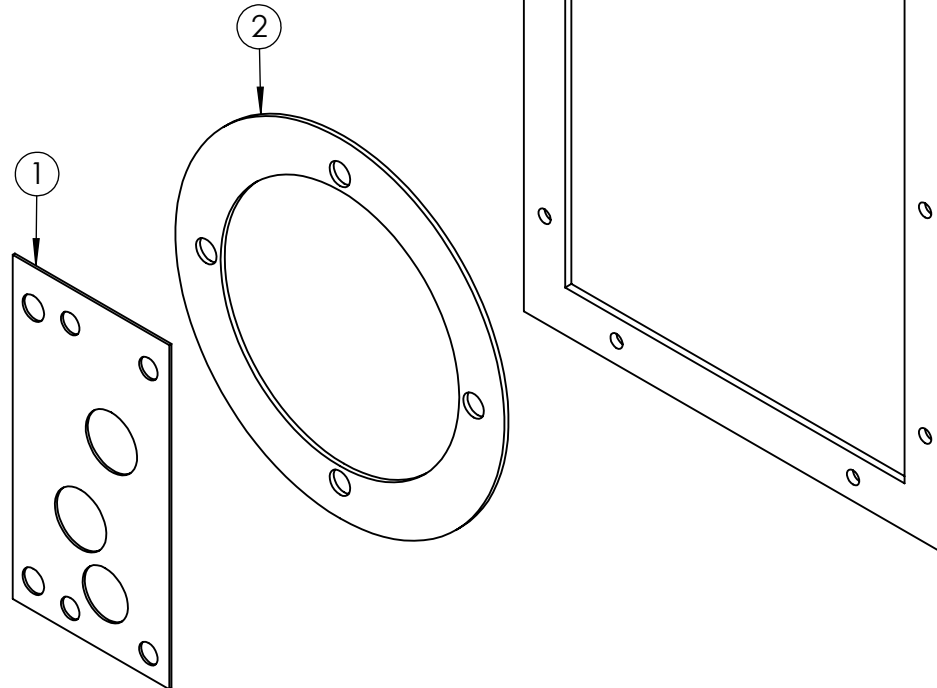
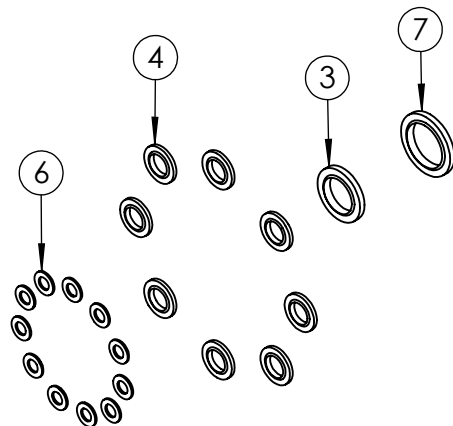
**IMPORTANT**

WHEN ORDERING SPARES YOU MUST STATE THE FULL PART NUMBER AND THE PRODUCT SERIAL NUMBER - FROM THE LABEL TO PROTECT YOUR WARRANTY ALWAYS USE GENUINE HI-FORCE PARTS.

ITEM NO.	PART NUMBER	DESCRIPTION	QTY.
1	SEC001KT010	GASKET	1
2	SEC002KT014	PUMP GASKET	1
3	WAC007HD000	1/4" BSP SELF CENTERING BONDED WASHER	1
4	WAC008KD000	DOWTY WASHER	8
5	SEC003KT009	TANK GASKET	1
6	WAC005EC001	M5 X 9 X 1.0 COPPER SEALING WASHER	11
7	WAC010HD000	3/8" BSP DOWTY WASHER	1

REVISION

1	6294
2	
3	
4	
5	
6	
7	
8	
9	
10	
11	
12	
13	
14	
15	
16	
17	
18	
19	
20	



**IMPORTANT**

WHEN ORDERING SPARES YOU MUST STATE THE FULL PART NUMBER AND THE PRODUCT SERIAL NUMBER - FROM THE LABEL TO PROTECT YOUR WARRANTY ALWAYS USE GENUINE HI-FORCE PARTS.