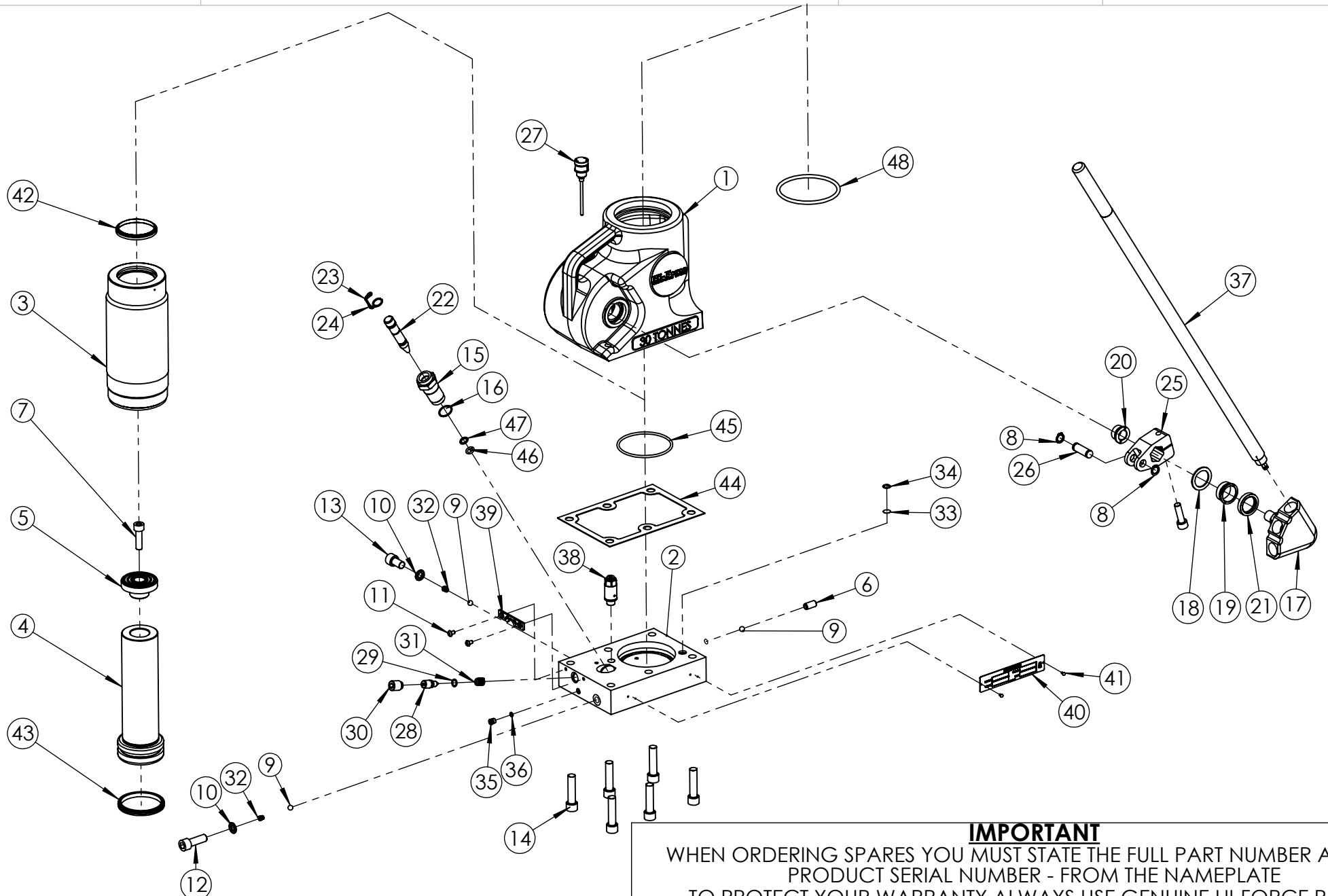


REVISION

1	5498
2	6151
<b>3</b>	6181
4	
5	
6	
7	
8	
9	
10	
11	
12	
13	
14	
15	
16	
17	
18	
19	
20	



**IMPORTANT**  
WHEN ORDERING SPARES YOU MUST STATE THE FULL PART NUMBER AND THE PRODUCT SERIAL NUMBER - FROM THE NAMEPLATE TO PROTECT YOUR WARRANTY ALWAYS USE GENUINE HI-FORCE PARTS.

ITEM NO.	PART NUMBER	DESCRIPTION	QTY.	SPARE PARTS	SERVICE PARTS	ITEM NO.	PART NUMBER	DESCRIPTION	QTY.	SPARE PARTS	SERVICE PARTS
1	JHC076CC003	630 CISTERN	1			30	FAS016MD020	RELEASE VALVE SCREW	1		
2	JHC076BC004	630 BASE	1			31	SPC012CA001	SPRING	1		
3	JHC076LC005	630 LINER	1			32	SPC009PA001	CONICAL SPRING	2		
4	JHC076PC005	630 PLAIN RAM	1			33	FFC012MA001	SUCTION FILTER	1		
5	JHC076AC002	RAM CAP	1			34	STC013BA000	RETAINING CLIP	1		
6	FAS010MA020	M10 x 20 CUP POINT SCREW	1			35	FPC008PM003	PLUG	1		
7	BLC010LD035	M10 x 35 SOCKET CAP HEAD SCREW	2			36	SEC008RA002	O-RING - I.D. 5.0 mm C.S. 1.5 mm, NITRILE 70	1		
8	STC011AA001	TUMBLER CIRCLIP N1400/0050	2			37	HLA022BK001	JAH HANDLE ASSEMBLY	1		
9	BAC008SN000	Ø8 mm STEEL BALL GRADE 100	3			38	VRA001AF002	RELIEF VALVE	1		
10	WAC012KD000	DOWTY WASHER	2	✘	✓	39	JHC000GZ001	RELEASE PLATE	1		
11	BLC005HH008	M5 x 8 BUTTON HEAD SCREW	2			40	LAC000JC001	NAMEPLATE 131 x 30 mm	1	✘	
12	BLC012MD035	M12 x 35 SOCKET CAP HD SCREW	1			41	FAS002HZ001	NO.4 x 3/16 HAMMER DRIVE SCREW	2		
13	BLC012MD020	M12 x 20 SOCKET CAP HD SCREW	1			42	SEC060XE002	WIPER	1	✘	✓
14	BLC012MC050	M12 X 50mm, HEX SOCKET CAP HEAD SCREW	6			43	SEC076GA001	PISTON SEAL	1	✘	✓
15	JHC000KZ002	PUMP BARREL	1			44	JHC076YC001	30T BASE GASKET	1	✘	✓
16	SEC024RF001	O-RING - I.D. 20.35mm, C.S. 1.78mm, NITRILE 70	1	✘	✓	45	SEC092RA001	O-RING	1	✘	✓
17	JHC000QZ002	QUADRANT SHAFT	1			46	SEC014RA001	O-RING - I.D. 9.19mm, C.S. 2.62mm, NITRILE 90	1	✘	✓
18	JHC000QS001	SPACER	1			47	SEC014BA001	BACK UP RING	1	✘	✓
19	<b>BSC028LC002</b>	QUADRANT SHAFT OUTER BEARING	1			48	SEC095RE001	O-RING BS343	1	✘	✓
20	<b>BSC017LC001</b>	QUADRANT SHAFT INNER BEARING	1								
21	SEC028ME001	ROTARY SHAFT SEAL	1								
22	JHC000UZ001	PUMP PLUNGER	1								
23	JHC000UZ002	PUMP PLUNGER CIRCLIP	1								
24	JHC000UZ003	PUMP PLUNGER CIRCLIP FASTENER	1								
25	JHC000JZ001	JACK TUMBLER	1								
26	JHC000TZ001	TUMBLER ROLLER	1								
27	JHA000DA002	DIPSTICK ASSEMBLY	1								
28	JAC010JC002	RELEASE VALVE SPINDLE	1								
29	SEC013RA001	O-RING - I.D. 9.25mm, C.S. 1.78mm, NITRILE 90	1	✘	✓						

REVISION

1 5498

2 6151

3 6181

4

5

6

7

8

9

10

11

12

13

14

15

16

17

18

19

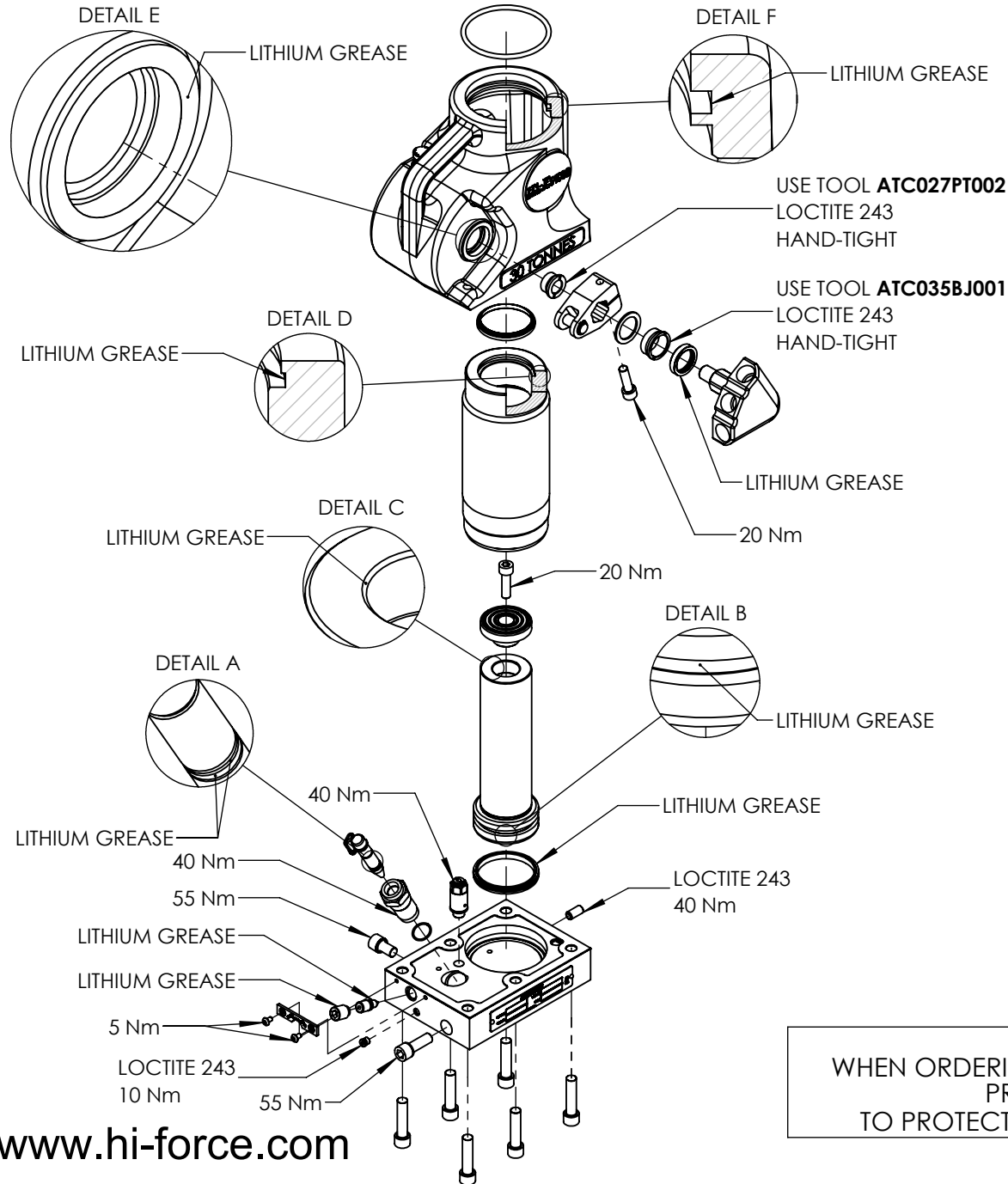
20

**NOTE:**

- ALL PARTS AVAILABLE TO ORDERED AS AN INDIVIDUAL SPARE PARTS (UNLESS MARKED WITH ✘).
- PARTS MARKED WITH ✓ ARE ONLY AVAILABLE IN **JAH30TP3-K SERVICE KIT**. (REFER TO JAH30TP3-K : SERVICE KIT EVD FOR FULL PARTS LIST).
- ITEM NO. 19 - **BSC028LC002**, REQUIRES TOOL **ATC035BJ001** (TO BE ORDERED SEPARATELY).
- ITEM NO. 20 - **BSC017LC001**, REQUIRES TOOL **ATC027PT002** (TO BE ORDERED SEPARATELY).

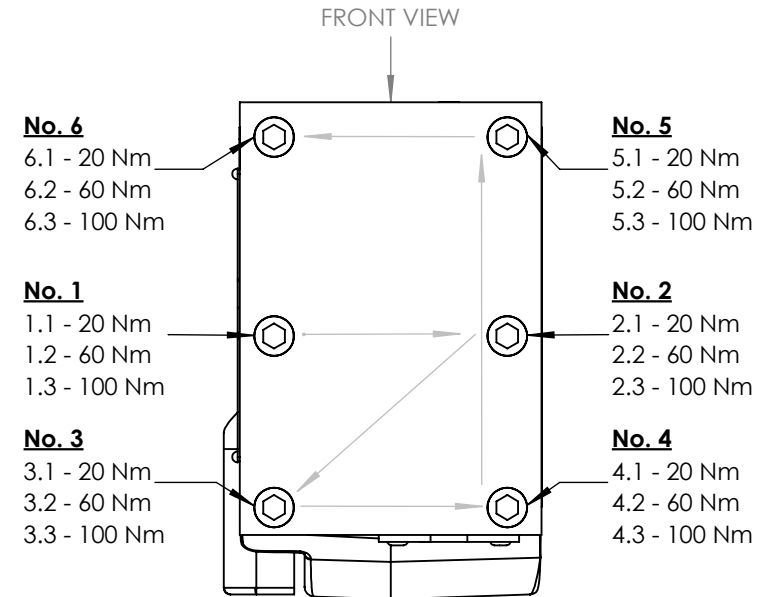
**IMPORTANT**

WHEN ORDERING SPARES YOU MUST STATE THE FULL PART NUMBER AND THE PRODUCT SERIAL NUMBER - FROM THE NAMEPLATE TO PROTECT YOUR WARRANTY ALWAYS USE GENUINE HI-FORCE PARTS.



**BASE BOLT TIGHTENING SEQUENCE**

ALL BASE BOLTS TIGHTENED BY HAND USING AN ALLEN KEY, FOLLOWED BY TIGHTENING SEQUENCE AS BELOW (E.G. BOLTS TORQUED IN ORDER: 1.1, 2.1, 3.1, .... TO 20Nm. FOLLOWED BY SECONDARY TIGHTENING SEQUENCE 1.2, 2.2, 3.2, ..... TO 60 Nm. FINAL TIGHTENING SEQUENCE 1.3, 2.3, 3.3, .... TO 100 Nm)



**NOTE:** ONCE ALL BOLTS HAVE BEEN FULLY TORQUED. ALL BOLTS TO BE RETORQUED AT 100% TORQUE VALUE, CLOCKWISE STARTING AT BOLT No.6.

**IMPORTANT**

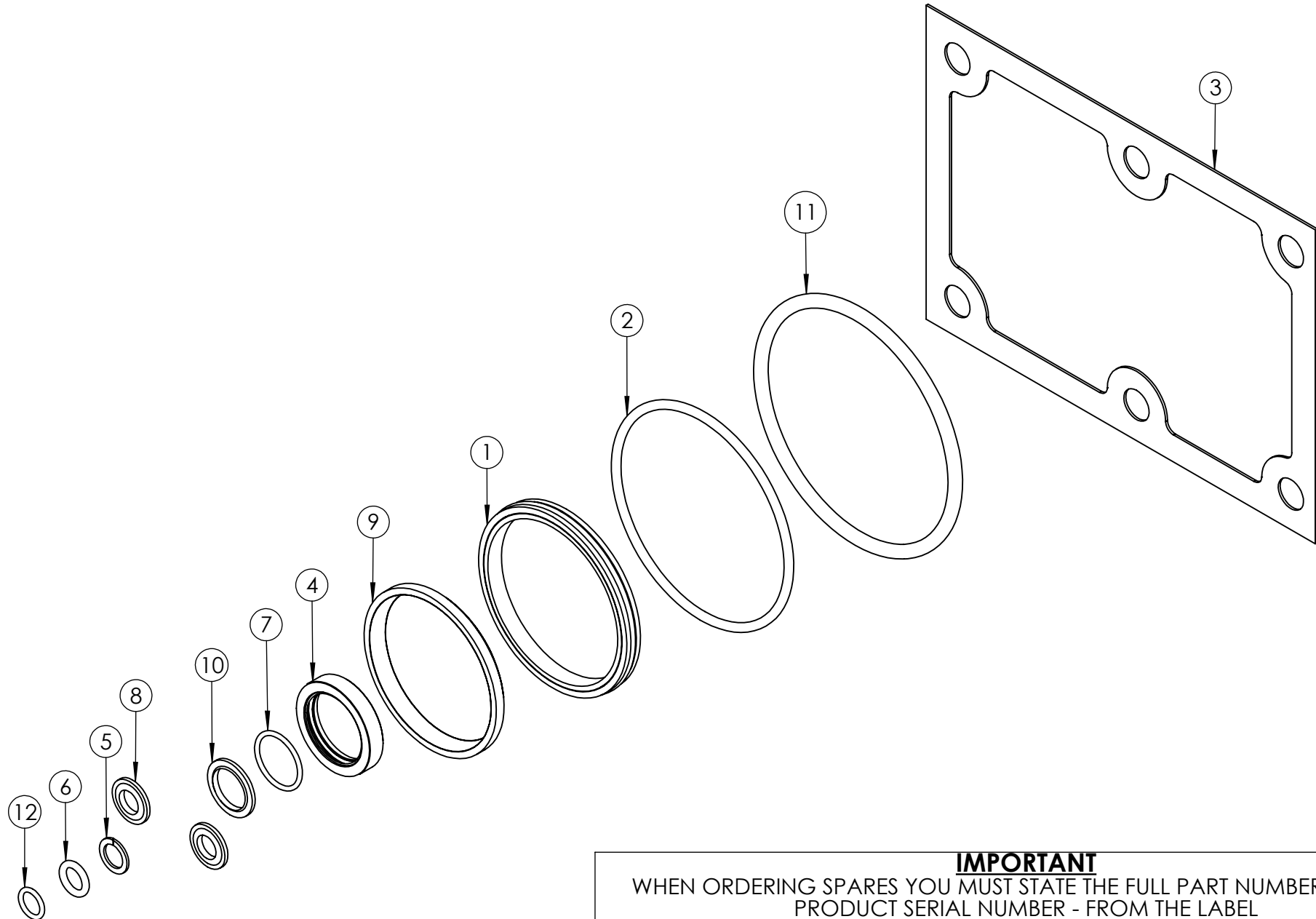
WHEN ORDERING SPARES YOU MUST STATE THE FULL PART NUMBER AND THE PRODUCT SERIAL NUMBER - FROM THE NAMEPLATE TO PROTECT YOUR WARRANTY ALWAYS USE GENUINE HI-FORCE PARTS.

REVISION

1	5498
2	6151
<b>3</b>	6181
4	
5	
6	
7	
8	
9	
10	
11	
12	
13	
14	
15	
16	
17	
18	
19	
20	

REVISION

1	6159
2	
3	
4	
5	
6	
7	
8	
9	
10	
11	
12	
13	
14	
15	
16	
17	
18	
19	
20	



**IMPORTANT**  
WHEN ORDERING SPARES YOU MUST STATE THE FULL PART NUMBER AND THE PRODUCT SERIAL NUMBER - FROM THE LABEL TO PROTECT YOUR WARRANTY ALWAYS USE GENUINE HI-FORCE PARTS.

ITEM NO.	PART NUMBER	DESCRIPTION	QTY.
1	SEC076GA001	PISTON SEAL	1
2	SEC092RA001	O-RING	1
3	JHC076YC001	30T BASE GASKET	1
4	SEC028ME001	ROTARY SHAFT SEAL	1
5	SEC014BA001	BACK UP RING	1
6	SEC014RA001	O-RING - I.D. 9.19mm, C.S. 2.62mm, NITRILE 90	1
7	SEC024RF001	O-RING - I.D. 20.35mm, C.S. 1.78mm, NITRILE 70	1
8	WAC012KD000	DOWTY WASHER	2
9	SEC060XE002	WIPER	1
10	WAC016KD001	DOWTY WASHER	1
11	SEC095RE001	O-RING BS343	1
12	SEC013RA001	O-RING - I.D. 9.25mm, C.S. 1.78mm, NITRILE 90	1

REVISION

1 6159

2

3

4

5

6

7

8

9

10

11

12

13

14

15

16

17

18

19

20

**IMPORTANT**

WHEN ORDERING SPARES YOU MUST STATE THE FULL PART NUMBER AND THE PRODUCT SERIAL NUMBER - FROM THE LABEL TO PROTECT YOUR WARRANTY ALWAYS USE GENUINE HI-FORCE PARTS.