

REVISION

1	
2	
3	3887
4	6246
5	6358
6	
7	
8	
9	
10	
11	
12	
13	
14	
15	
16	
17	
18	
19	
20	

DETAIL A
SCALE 2 : 5

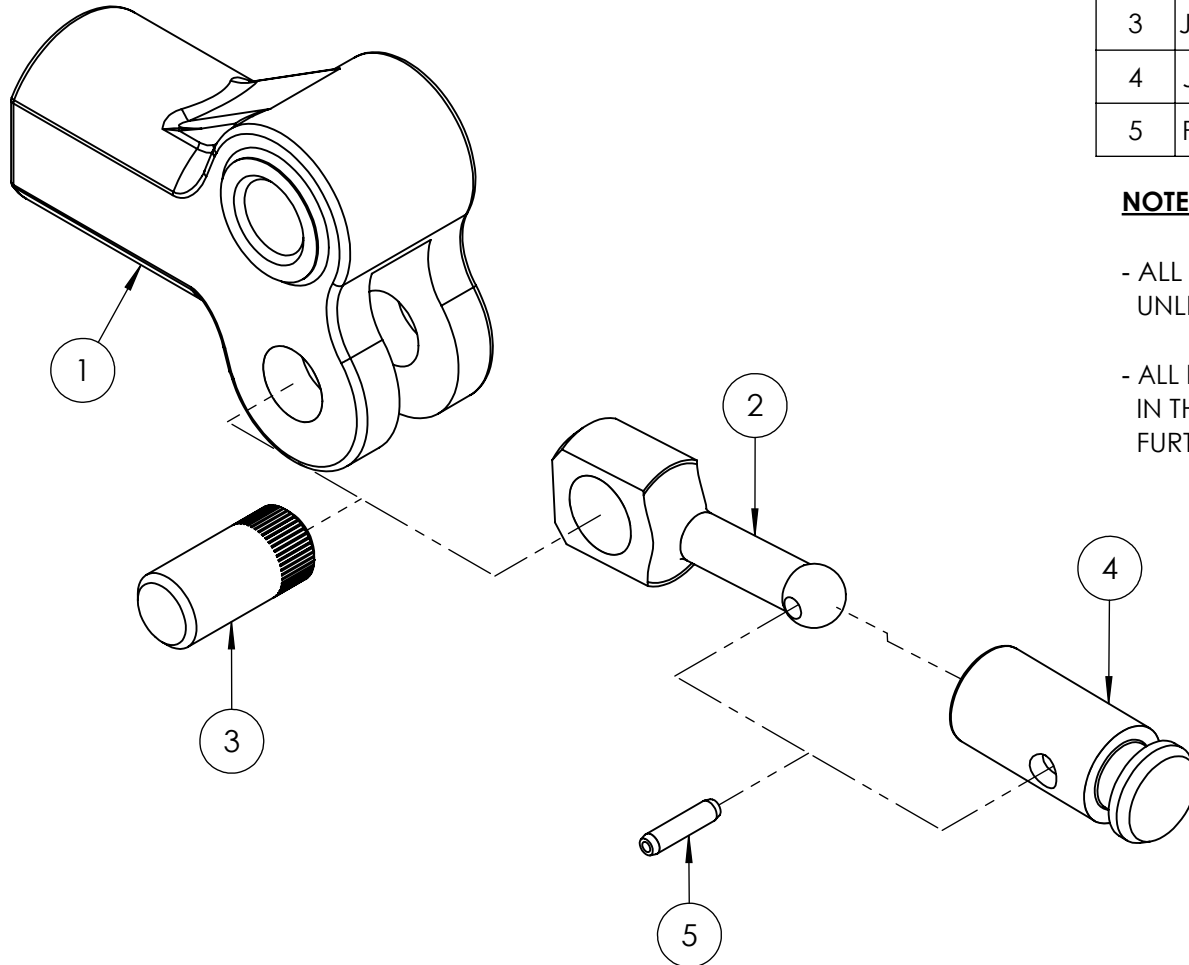
IMPORTANT
WHEN ORDERING SPARES YOU MUST STATE THE FULL PART NUMBER AND THE PRODUCT SERIAL NUMBER - FROM THE LABEL TO PROTECT YOUR WARRANTY ALWAYS USE GENUINE HI-FORCE PARTS.

ITEM NO.	PART NUMBER	DESCRIPTION	QTY.	SPARE PARTS	SERVICE PARTS	ITEM NO.	PART NUMBER	DESCRIPTION	QTY.	SPARE PARTS	SERVICE PARTS	REVISION
1	JBC010AF002	JACK BODY FOR JAS105	1	X		21	SEC013RA001	O-RING - I.D. 9.25mm, C.S. 1.78mm, NITRILE 90	1		✓	1
2	JPC010SF001	PISTON	1			22	SEC014RA001	O-RING - I.D. 9.19mm, C.S. 2.62mm, NITRILE 90	1		✓	2
3	SRC038PE001	STOP RING	1			23	SEC024RF001	O-RING	1		✓	3 3887
4	JAA010AC002	ROCKER ASSEMBLY	1			24	SEC050RE001	O-RING	1		✓	4 6246
5	JAC010DC001	PUMP BARREL	1			25	SEC025RA001	O-RING - I.D. 18.64mm, C.S. 3.53mm	1		✓	5 6358
6	JAC010HC005	TOP PLATE	1			26	SEC014BA001	BACK UP RING	1		✓	6
7	JAC010GC001	PIVOT PIN	1			27	SEC044GA001	PISTON SEAL	1		✓	7
8	BAC006SN000	Ø6 mm STEEL BALL	2			28	SPC008CB001	COMPRESSION SPRING.	1			8
9	BLC004-H008	M4 X 8mm, HEX SOCKET BUTTON HEAD SCREW	4			29	SPC007CB001	DELIVERY SPRING	1			9
10	BLC006JH025	M6 x 25mm HEX SOCKET BUTTON HEAD SCREW	1			30	VRA700AF002	RELIEF VALVE	1			10
11	BLC008KD010	M8 x 10mm HEX SOCKET CAP HEAD SCREW	1			31	WAC007HD000	1/4" BSP SELF CENTERING BONDED WASHER	1		✓	11
12	BLC006JD020	M6 x 20 mm HEX SOCKET CAP HEAD SCREW	1			32	WAC008KD000	DOWTY WASHER	1		✓	12
13	FAS010MX001	M10 SEALING PLUG	2			33	SPC012CA001	SPRING	1			13
14	FAS016MD020	RELEASE VALVE SCREW	1			34	WAC004YK001	M4 x 11.5mm Flat Washer	1			14
15	FFC012MA001	SUCTION FILTER	1			35	STC013BA000	RETAINING CLIP	1			15
16	JAC010JC002	RELEASE VALVE SPINDLE	1			36	SAC025PP001	SADDLE	1			16
17	JAC010KC001	OIL FILL LABEL	1			37	HLA019BK001	OPERATING LEVER ASSY.	1			17
18	JAC010KC002	LOWER & RAISE CYLINDER LABEL	1			38	SPC023TF002	TENSION SPRING	1			18
19	JAC010FB001	FLOATING PISTON	1			39	SIC017TB001	INSERT	2			19
20	SEC060RA001	O-RING	1		✓	40	WAC006EB000	M6 WASHER	2			20
NOTE:						41	BLC004-H008	M4 X 8mm, HEX SOCKET BUTTON HEAD SCREW	2			
- ALL PARTS ARE AVAILABLE TO BE ORDERED AS SPARE PARTS, UNLESS, MARKED WITH X						42	FAS004MD006	M4 X 6 HEX SOCKET DOG POINT SCREW	1			
- ALL PARTS MARKED WITH ✓ ARE ALSO SERVICEABLE PARTS AVAILABLE IN THE JAS105TP2-K : REPAIR KIT (REFER TO JAS105TP2-K EVD FOR FURTHER DETAILS)						43	WAC013DC000	WASHER	1		✓	

IMPORTANT

WHEN ORDERING SPARES YOU MUST STATE THE FULL PART NUMBER AND THE PRODUCT SERIAL NUMBER - FROM THE LABEL TO PROTECT YOUR WARRANTY ALWAYS USE GENUINE HI-FORCE PARTS.

ITEM NO.	PART NUMBER	DESCRIPTION	QTY.	SPARE PARTS	SERVICE PARTS	REVISION	
1	JAC010AC002	PUMP ROCKER	1			1	5706
2	JAC010BC002	CONNECTING ROD	1			2	6246
3	JAC010CC001	CRANK PIN	1			3	
4	JAC010EC001	PISTON FOR JAS103/105	1			4	
5	PCC003RB006	M3X 12MM SELLOCK PIN	1			5	
						6	
						7	
						8	
						9	
						10	
						11	
						12	
						13	
						14	
						15	
						16	
						17	
						18	
						19	
						20	



NOTE:

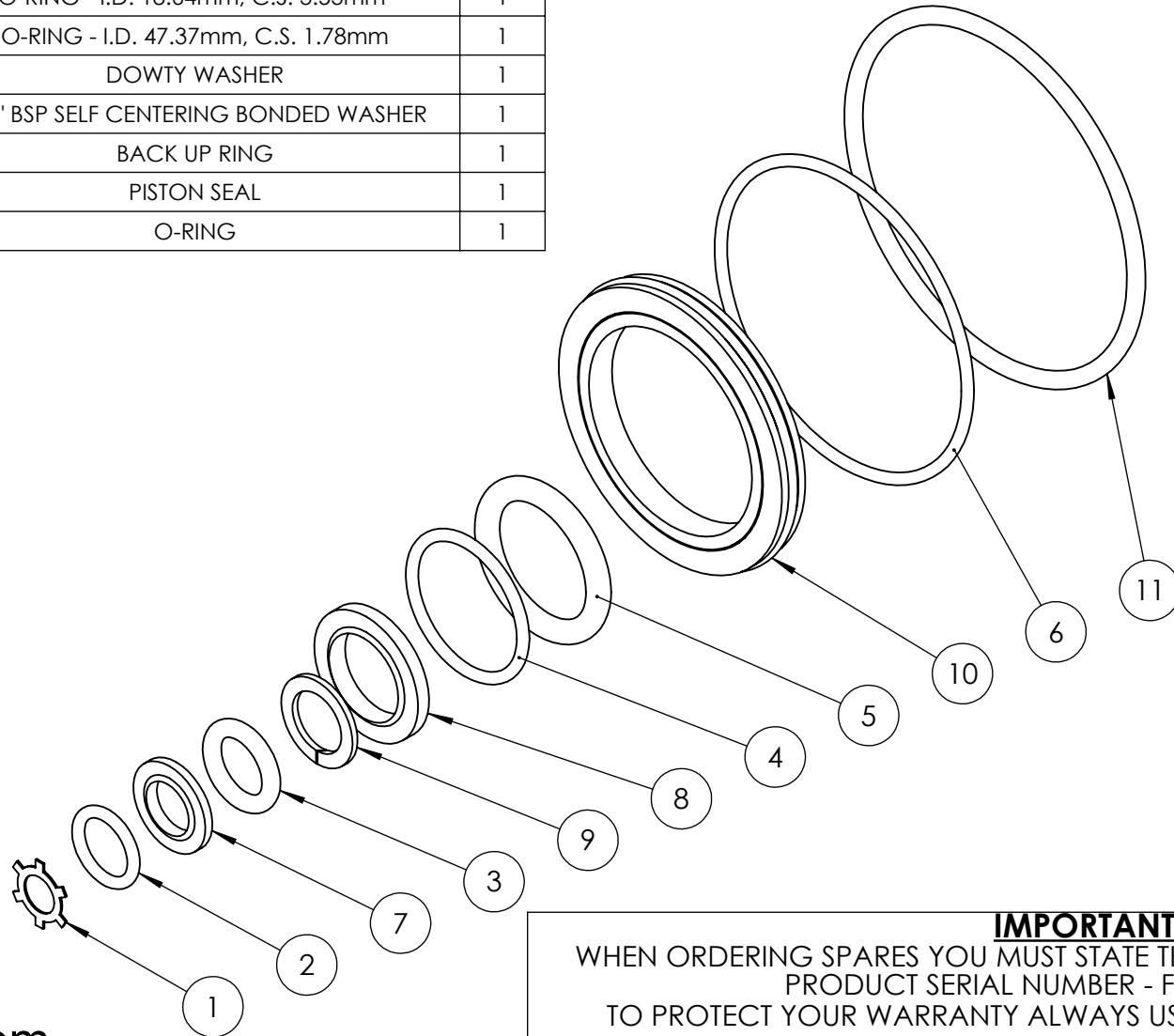
- ALL PARTS ARE AVAILABLE TO BE ORDERED AS SPARE PARTS, UNLESS, MARKED WITH **x**

- ALL PARTS MARKED WITH **✓** ARE ALSO SERVICEABLE PARTS AVAILABLE IN THE **JAS105TP2-K : REPAIR KIT** (REFER TO JAS105TP2-K EVD FOR FURTHER DETAILS)

IMPORTANT

WHEN ORDERING SPARES YOU MUST STATE THE FULL PART NUMBER AND THE PRODUCT SERIAL NUMBER - FROM THE LABEL TO PROTECT YOUR WARRANTY ALWAYS USE GENUINE HI-FORCE PARTS.

ITEM NO.	PART NUMBER	DESCRIPTION	QTY.
1	WAC013DC000	WASHER	1
2	SEC013RA001	O-RING - I.D. 9.25mm, C.S. 1.78mm, NITRILE 90	1
3	SEC014RA001	O-RING - I.D. 9.19mm, C.S. 2.62mm, NITRILE 90	1
4	SEC024RF001	O-RING	1
5	SEC025RA001	O-RING - I.D. 18.64mm, C.S. 3.53mm	1
6	SEC050RE001	O-RING - I.D. 47.37mm, C.S. 1.78mm	1
7	WAC008KD000	DOWTY WASHER	1
8	WAC007HD000	1/4" BSP SELF CENTERING BONDED WASHER	1
9	SEC014BA001	BACK UP RING	1
10	SEC044GA001	PISTON SEAL	1
11	SEC060RA001	O-RING	1



REVISION

1	6246
2	
3	
4	
5	
6	
7	
8	
9	
10	
11	
12	
13	
14	
15	
16	
17	
18	
19	
20	

IMPORTANT
WHEN ORDERING SPARES YOU MUST STATE THE FULL PART NUMBER AND THE PRODUCT SERIAL NUMBER - FROM THE LABEL TO PROTECT YOUR WARRANTY ALWAYS USE GENUINE HI-FORCE PARTS.

ITEM NO.	PART NUMBER	DESCRIPTION	QTY.
1	ATC023OI001	PUMP BARREL TOOL	1
2	FAS005ME006	CUP PT SCREW	2
3	ATC023OI002	PUMP BARREL GUIDE	1
4	BLC010LD025	SOCKET CAP HD SCREW	1

REVISION

1 6246

2

3

4

5

6

7

8

9

10

11

12

13

14

15

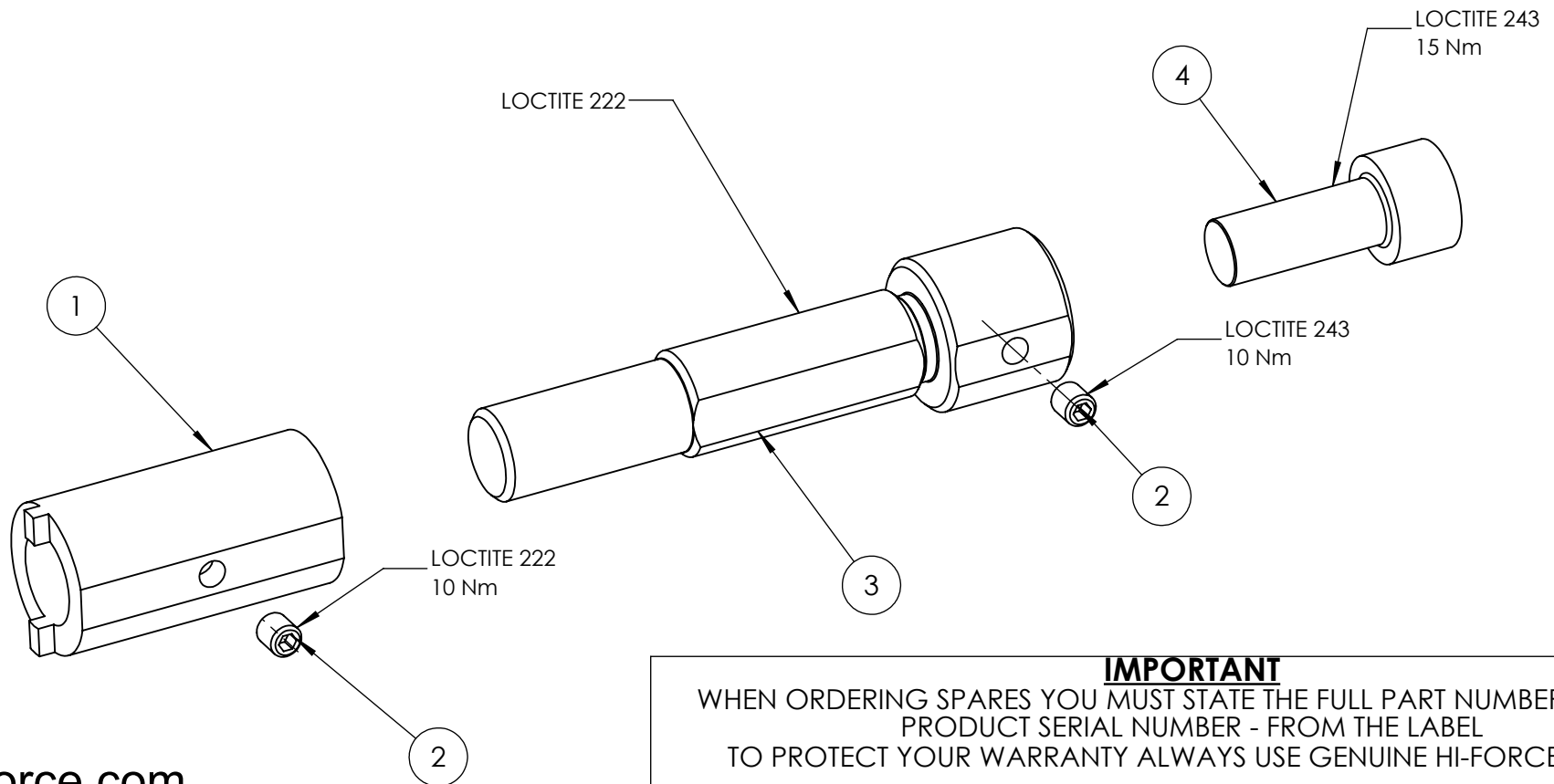
16

17

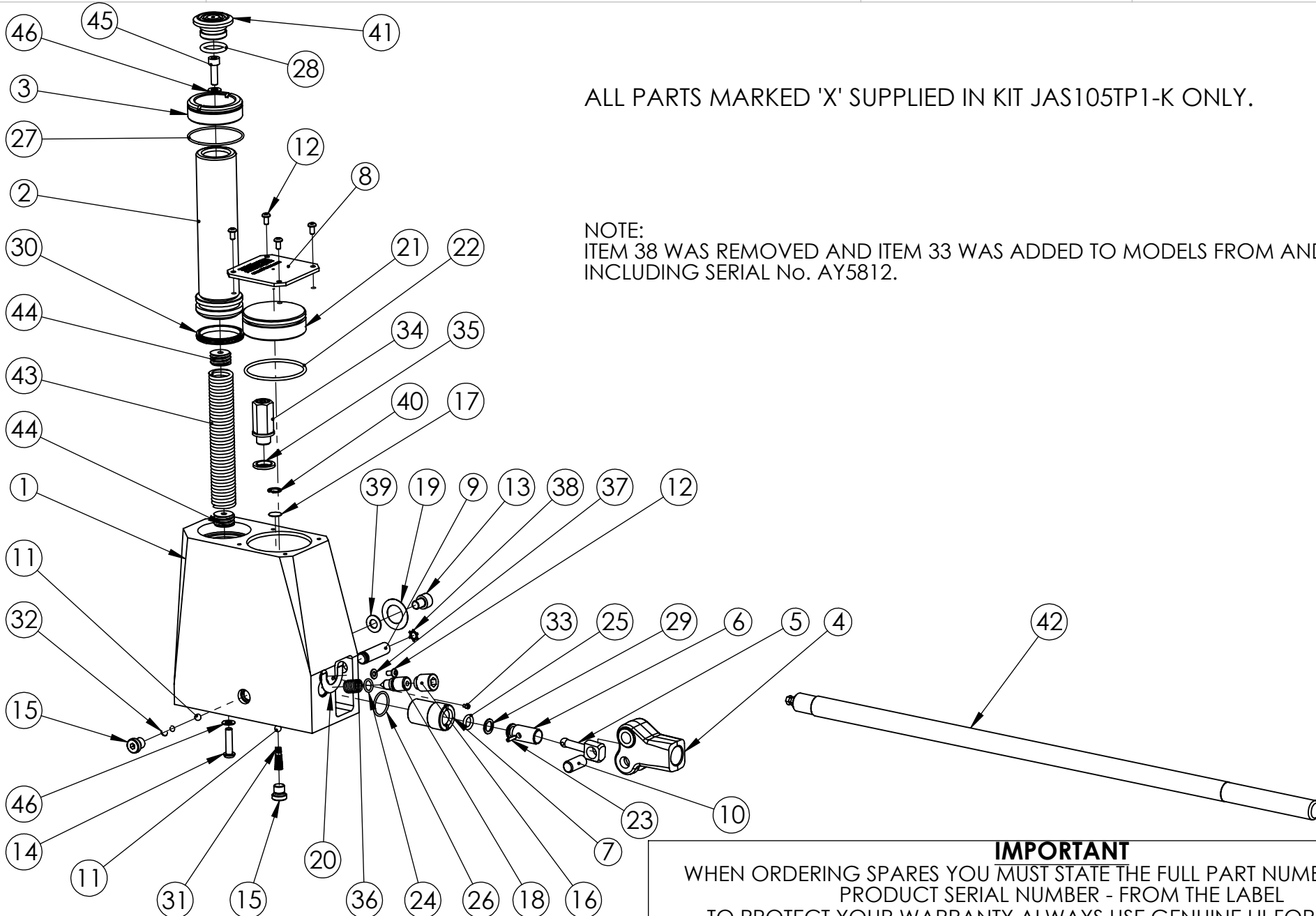
18

19

20



IMPORTANT
WHEN ORDERING SPARES YOU MUST STATE THE FULL PART NUMBER AND THE PRODUCT SERIAL NUMBER - FROM THE LABEL TO PROTECT YOUR WARRANTY ALWAYS USE GENUINE HI-FORCE PARTS.



ALL PARTS MARKED 'X' SUPPLIED IN KIT JAS105TP1-K ONLY.

NOTE:
ITEM 38 WAS REMOVED AND ITEM 33 WAS ADDED TO MODELS FROM AND INCLUDING SERIAL No. AY5812.

REVISION	
1	
2	
3	3887
4	
5	
6	
7	
8	
9	
10	
11	
12	
13	
14	
15	
16	
17	
18	
19	
20	

IMPORTANT
WHEN ORDERING SPARES YOU MUST STATE THE FULL PART NUMBER AND THE PRODUCT SERIAL NUMBER - FROM THE LABEL TO PROTECT YOUR WARRANTY ALWAYS USE GENUINE HI-FORCE PARTS.

ALL PARTS MARKED 'X' SUPPLIED IN KIT JAS105TP1-K ONLY.

ITEM NO.	PART NUMBER	DESCRIPTION	QTY.
1	JBC010AF001	JACK BODY FOR JAS105	1
2	JPC010SF001	PISTON	1
3	SRC038PE001	STOP RING	1
4	JAC010AC002	PUMP ROCKER	1
5	JAC010BC002	CONNECTING ROD	1
6	JAC010EC001	PISTON FOR JAS103/ 105	1
7	JAC010DC001	PUMP BARREL	1
8	JAC010HC005	TOP COVER	1
9	JAC010GC001	PIVOT PIN	1
10	JAC010CC001	CRANK PIN	1
11	X	6 mm BALL	2
12	X	BUTTON HEAD SCREW	5
13	X	SOCKET CAP HD SCREW	1
14	X	BUTTON HEAD SCREW	1
15	X	M10 SEALING PLUG	2
16	FAS016OC019	RELEASE VALVE SCREW	1
17	X	SUCTION FILTER	1
18	JAC010JC002	RELEASE VALVE SPINDLE	1
19	X	OIL FILL LABEL	1
20	X	LOWER & RAISE CYLINDER	1
21	JAC010FB001	FLOATING PISTON	1
22	X	O - RING	1
23	X	M3 X 12MM SELLOCK PIN	1
24	X	O - RING	1
25	X	O - RING	1
26	X	O - RING	1
27	X	O - RING	1
28	X	O - RING	1
29	X	BACK UP RING	1
30	X	PISTON SEAL	1
31	X	COMPRESSION SPRING.	1
32	X	SPRING	1
33	X	DOG POINT SCREW	1
34	VRA700AF002	RELIEF VALVE	1
35	X	DOWTY WASHER	1
36	SPC012CA001	COMPRESSION SPRING	1
37	X	TRAP SCREW WASHER	1
38	X	WASHER	1
39	X	SEALING WASHER	1
40	X	RETAINING CLIP	1
41	SAC025PP001	SADDLE	1
42	HLA019BK001	OPERATING LEVER ASSY.	1
43	SPC023TF002	SPRING.	1
44	SIC017TB001	SPRING INSERT	2
45	X	SOCKET CAP HD SCREW	1
46	X	WASHER	2

REVISION

1	
2	
3	3887
4	
5	
6	
7	
8	
9	
10	
11	
12	
13	
14	
15	
16	
17	
18	
19	
20	

IMPORTANT

WHEN ORDERING SPARES YOU MUST STATE THE FULL PART NUMBER AND THE PRODUCT SERIAL NUMBER - FROM THE LABEL TO PROTECT YOUR WARRANTY ALWAYS USE GENUINE HI-FORCE PARTS.