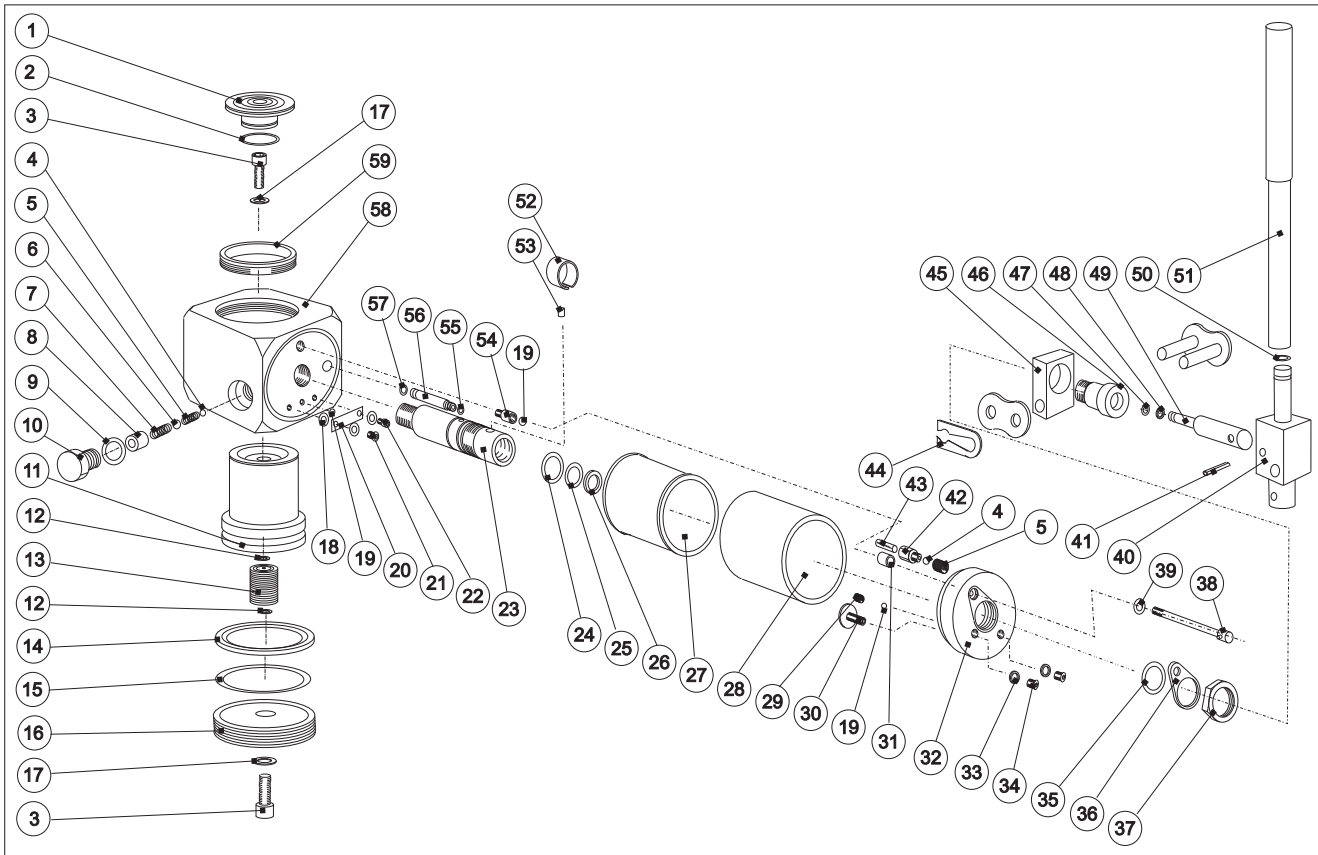


SPARE PARTS- LOW LIFT HYDRAULIC JACK JCS30



DRAWING
CHANGE

1 3936

2
3
4
5
6
7
8
9
10
11
12
13
14
15
16
17
18
19
20

ITEM	PART NO.	DESCRIPTION	NO.	ITEM	PART NO.	DESCRIPTION	NO.
1	360002400	Saddle	1	31	079006400	Sleeve	1
2	*	O Ring	1	32	365000700	End cap	1
3	904004000	Socket cap screw	2	33	*	Bonded Washer	2
4	*	Ball	2	34	*	Button screw	2
5	*	Compression spring	2	35	*	O ring	1
6	*	Ball	1	36	360000800	Lock washer	1
7	*	Compression Spring	1	37	360001100	Lock nut	1
8	*	Spacer	1	38	163000600	Release screw	1
9	*	Bonded Washer	1	39	*	O ring	1
10	351002800	Hex blanking plug	1	40	079001400	Clevis	1
11	365001500	Piston Rod	1	41	907001700	Spring pin	1
12	*	Spring Washer	2	42	079010800	Inlet body	1
13	079006900	Spring	1	43	107013300	Filter mesh	1
14	*	Piston seal	1	44	907102200	Link	1
15	*	O ring	1	45	079002200	Pivot	1
16	365001300	Base plug	1	46	089001200	Bearing	1
17	*	Copper washer folded	2	47	*	O ring	1
18	*	Plain washer	3	48	*	Back up ring	1
19	*	Ball	3	49	079010600	Piston Rod	1
20	*	Flexure	1	50	*	O ring	1
21	904003600	Socket button screw	1	51	079004100	Handle c/w grip	1
22	904007500	Socket cap screw	1	52	905001000	Clip	1
23	360000600	Barrel	1	53	079006800	Dowel	1
24	*	Quadring	1	54	079002800	Release Body	1
25	*	O ring	1	55	*	O ring	1
26	*	Solid back up ring	1	56	079010700	Connector tube	1
27	*	Bellows	1	57	*	O ring	1
28	079012100	Reservoir	1	58	365002200	Body assy	1
29	*	Compression spring	1	59	365001400	Bearing	1
30	079011700	Adjusting screw	1				

* ITEMS MARKED SUPPLIED IN SERVICE KIT P/N JCS30TP1-K.

Items 23 & 46 are supplied as barrel/bearing assembly 360001200.

To be used and maintained in accordance with written instructions. Consult distributor if in doubt.