

▼ MG7TM



- Reversible leg design giving greater range of applications
- Unique double-angled wedge produces a greater spreading force without reducing spreading distance
- Robust lightweight tool
- Spreading force of 68,0 kN.

OPERATING BENEFITS

- Locks on to flange joint
- Safe, quick and easy operation
- Saves time and cost.

MG Series

FLANGE SPREADING TOOL

Spreading Force:

68,0 kN

Spreading Distance:

2,0 - 27,0 mm



Range of Application

For a detailed range of application please request the MG7TM Operator Instruction Sheet.



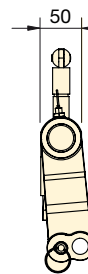
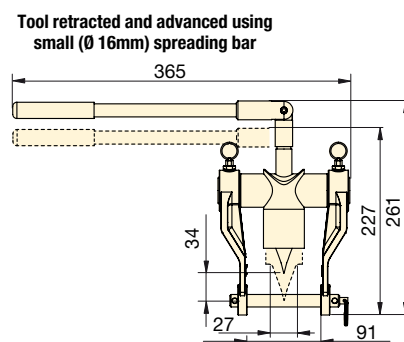
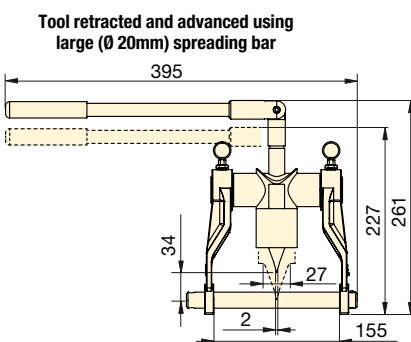
Caution

A minimum of two Flange Spreading Tools must be used when opening flange joints. This will enable the operator to maintain an equal spreading distance across the flange faces.

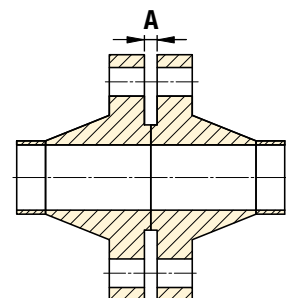
MG7TMSTD Standard Kit



- 1 x MG7TM Tool
- 2 x Spreading Bar
- 1 x Moulded Plastic Carry Case



Flange Dimensions



Model Number Tool Kit	Type	Maximum Spreading Force Per Tool (kN)	Spreading Distance Maximum (mm)	Flange Dimensions Minimum Access Gap A (mm)	Wedge Width (mm)	Tool Weight (kg)	Kit Weight (kg)	Case Dimensions (mm)	Tool Number
MG7TMSTD	Mechanical	68,0	27,0	2,0	45,0	5,0	5,5	360 x 300 x 90	MG7TM