



TTI NON-MAGNETIC TORQUE WRENCHES



Carefully selected and tested materials replace the ferrous components present in standard torque wrenches, thereby giving an extremely low magnetic footprint. Being based on the TT range of torque wrenches means that they also retain the high standards of Norbar's other torque wrenches. Perfect for MRI scanner applications.

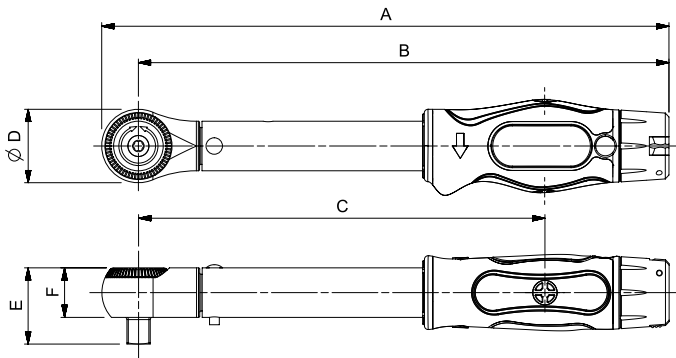
4 ADJUSTABLE - DUAL SCALE

13900	TTi20, 3/8" Non-Mag, 4 - 20 N·m, 35 - 180 lbf-in
13901	TTi20, 1/2" Non-Mag, 4 - 20 N·m, 35 - 180 lbf-in
13902	TTi50, 3/8" Non-Mag, 10 - 50 N·m, 8 - 35 lbf-ft
13903	TTi50, 1/2" Non-Mag, 10 - 50 N·m, 8 - 35 lbf-ft

4 ADJUSTABLE - N·m ONLY

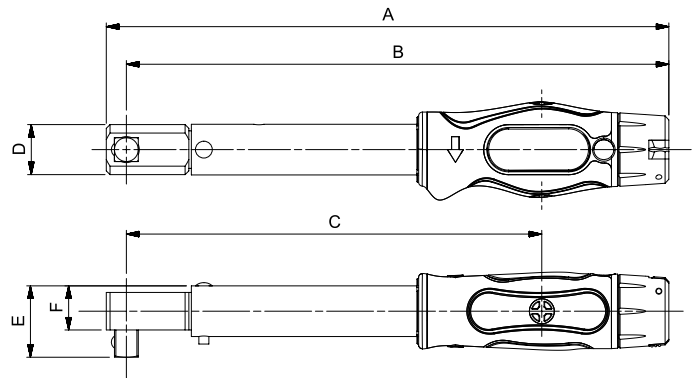
130503	TTi20, 3/8" Non-Mag, 3 - 20 N·m
130504	TTi20, 1/2" Non-Mag, 3 - 20 N·m
13906	TTi50, 3/8" Non-Mag, 10 - 50 N·m
13907	TTi50, 1/2" Non-Mag, 10 - 50 N·m

TTi Ratchet / Non-Magnetic

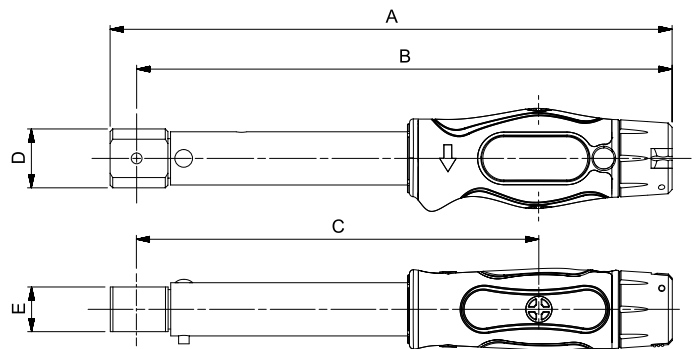


Model	TT Torque Wrenches / Non-Magnetic					
	TTi20 TTi15	TTi50 TTi35	Ttf20 Ttf15	TTfth20	TTfth50	
Part Number	13830, 13831, 13832, 13833, 13834, 13835, 13900, 13901, 130503, 130504	13841, 13842, 13843, 13844, 13845, 13846, 13902, 13903, 13906, 13907	13836, 13837, 13838	13839, 13840	13847, 13848	
Dimensions (mm)	A	232	328	225	214	310
	B	217	313	217	204	300
	C	166	263	166	153	250
	∅D	30	30	20	22	22
	E	31	31	28	17	17
	F	20	20	18	N/A	N/A
Weight (kg)	0.5	0.7	0.5	0.4	0.6	

TTf Fixed Head



TTfth Female Torque Handle



TTi50 tightening a pedal crank of a bicycle



TTi20 Non-Magnetic in application on an MRI Scanner