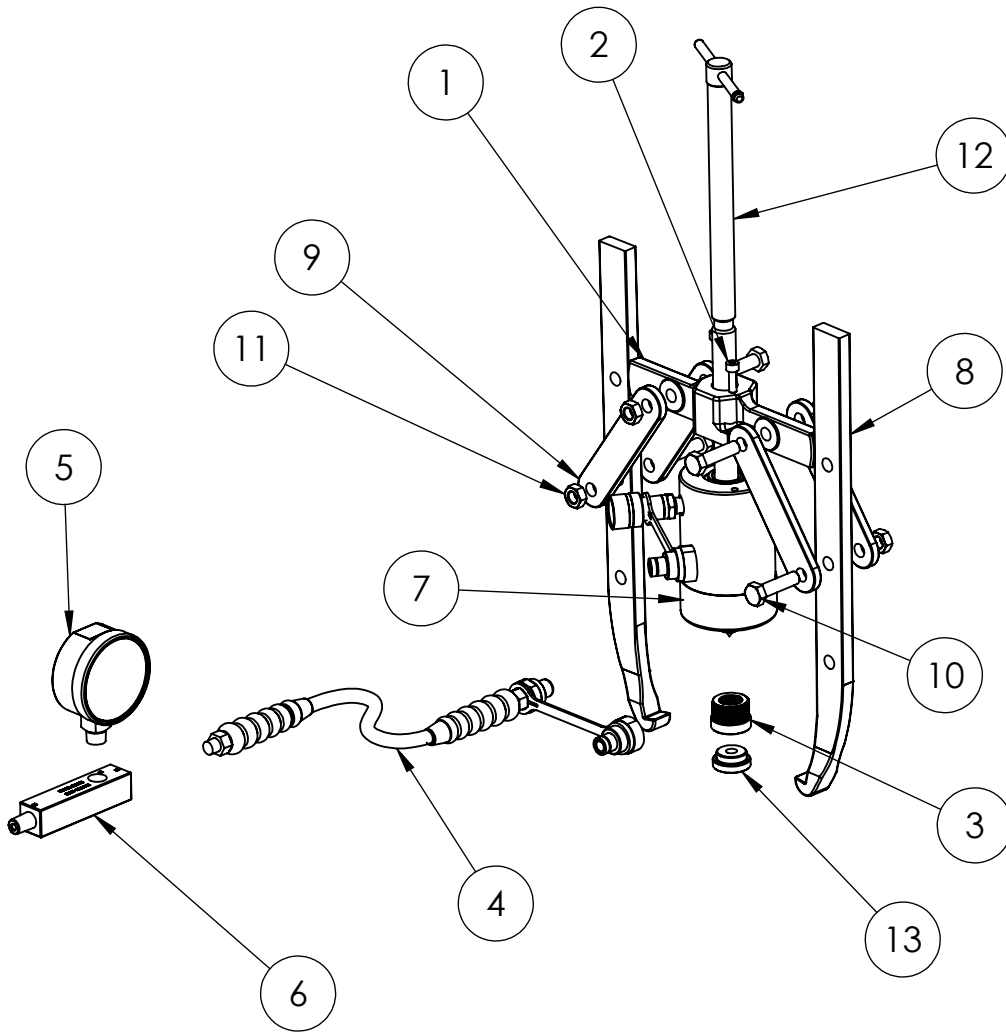


| ITEM NO. | PART NUMBER | DESCRIPTION                   | QTY. |
|----------|-------------|-------------------------------|------|
| 1        | PK202       | DOUBLE CROSSHEAD              | 1    |
| 2        | BLC008KD025 | SOCKET CAP HD SCREW           | 2    |
| 3        | HA202T      | THREADED SADDLE               | 1    |
| 4        | HC2         | HOSE ASSEMBLY                 | 1    |
| 5        | HG23        | PRESSURE GAUGE 0-23 TONNES.   | 1    |
| 6        | HGA2        | GAUGE BLOCK                   | 1    |
| 7        | HHS202      | SINGLE ACTING HOLLOW CYLINDER | 1    |
| 8        | PK204       | PULLER LEGS                   | 2    |
| 9        | PK205       | STRAP                         | 4    |
| 10       | PK206       | STRAP BOLT                    | 4    |
| 11       | PK207       | STRAP NUT                     | 4    |
| 12       | PK208       | ADJUSTING SCREW               | 1    |
| 13       | PK210       | PUSH PAD                      | 1    |



NOTE: PK20-HP HAND PUMP NOT SHOWN.

**IMPORTANT**

WHEN ORDERING SPARES YOU MUST STATE THE FULL PART NUMBER AND THE PRODUCT SERIAL NUMBER - FROM THE LABEL TO PROTECT YOUR WARRANTY ALWAYS USE GENUINE HI-FORCE PARTS.