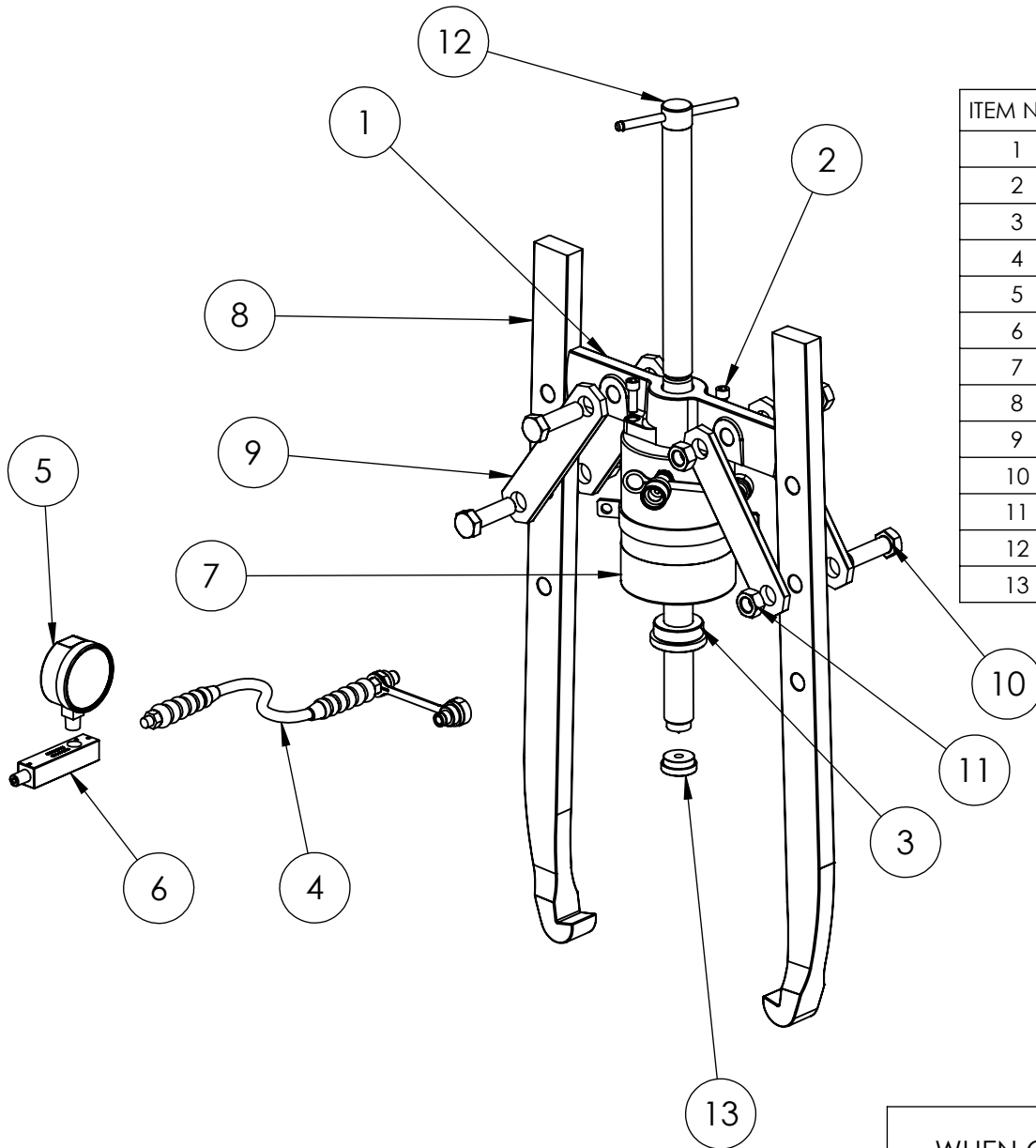


1	
2	6462
3	
4	
5	
6	
7	
8	
9	
10	
11	
12	
13	
14	
15	
16	
17	
18	
19	
20	



ITEM NO.	PART NUMBER	DESCRIPTION	QTY.
1	PK502	DOUBLE CROSSHEAD	1
2	BLC012MD035	M12 X 35mm, HEX SOCKET CAP HEAD SCREW	2
3	HA603T	SADDLE	1
4	HC2	HOSE ASSEMBLY	1
5	HG61	PRESSURE GAUGE 4IN. 0-10 TONNE	1
6	HGA2	GAUGE BLOCK	1
7	HHS603	SINGLE ACTING HOLLOW CYLINDER	1
8	PK504	PULLER LEGS	2
9	PK505	STRAPS	4
10	PK506	STRAP BOLTS	4
11	PK507	STRAP NUTS	4
12	PK508	ADJUSTING SCREW	1
13	PK510	PUSH PAD	1

NOTE: PK50-HP HAND PUMP NOT SHOWN.

**IMPORTANT**

WHEN ORDERING SPARES YOU MUST STATE THE FULL PART NUMBER AND THE PRODUCT SERIAL NUMBER - FROM THE LABEL TO PROTECT YOUR WARRANTY ALWAYS USE GENUINE HI-FORCE PARTS.