

**HEP103 | ELECTRIC DRIVEN TWO STAGE COMPACT PUMPS**

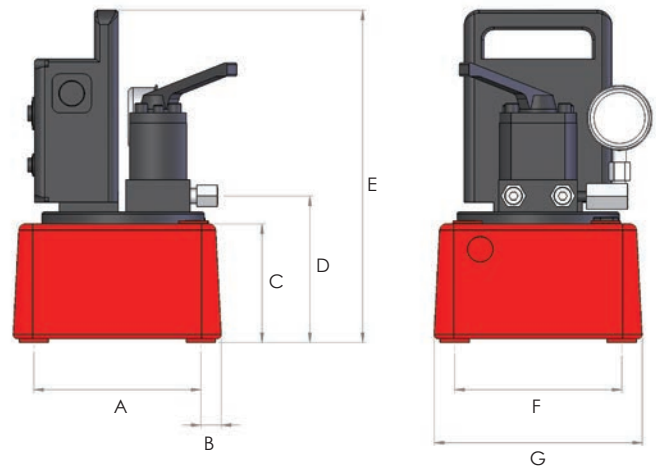


- ▶ Oil reservoir capacity 4 litres
- ▶ Choice of 110 or 240 volt single phase electric motors with 50/60 Hz dual frequency
- ▶ Choice of manual or electric powered control valves in 2, 3 or 4-way configuration
- ▶ Control valves available with open centre, closed centre or locking valve design
- ▶ Supplied with glycerine filled pressure gauge
- ▶ Integral carrying handle for easy transportation
- ▶ Remote hand pendant controller with 3 metres control cable

**Working pressure 700 bar**

**Two stage operation**

**Choice of valve options**



Model number	Motor voltage	Maximum flow rate (litres/minute) 1 <sup>st</sup> stage	2 <sup>nd</sup> stage	Changeover pressure (bar)	Remote pendant functions	Usable oil capacity (litres)	Weight (kg)
--------------	---------------	--	-----------------------	---------------------------	--------------------------	------------------------------	-------------

Below models feature 2-way solenoid valve, normally closed (hold function), suitable for use with single acting cylinders and tools, requiring load holding.

HEP103241LS	110V - 1Ph	2.5	0.35	150	advance/retract	4	19.2
HEP103242LS	240V - 1Ph	2.5	0.35	150	advance/retract	4	19.2

Below models featuring 2-way solenoid valve, normally open (auto retract function), suitable for use with single acting cylinders and tools, requiring auto retract.

HEP103241S	110V - 1Ph	2.5	0.35	150	advance/retract	4	20.5
HEP103242S	240V - 1Ph	2.5	0.35	150	advance/retract	4	20.5

Below models feature 3-way manually operated valve, suitable for use with single acting cylinders and tools.

HEP103341	110V - 1Ph	2.5	0.35	150	motor on/off	4	18.1
HEP103342	240V - 1Ph	2.5	0.35	150	motor on/off	4	18.1

Below models feature 4-way manually operated valve, suitable for use with double acting cylinders and tools.

HEP103441	110V - 1Ph	2.5	0.35	150	motor on/off	4	18.1
HEP103442	240V - 1Ph	2.5	0.35	150	motor on/off	4	18.1

Below models feature 4-way solenoid valve, locking feature on A and B port, suitable for use with double acting cylinders and tools, requiring load holding.

HEP103441LS	110V - 1Ph	2.5	0.35	150	advance/retract	4	20.5
HEP103442LS	240V - 1Ph	2.5	0.35	150	advance/retract	4	20.5

Model number	Dimensions (mm)						
	A	B	C	D	E	F	G
All Models	195	25	117.5	141.5	342	210	260