

HEP3 | ELECTRIC DRIVEN PUMPS - GENERAL DUTY HIGH FLOW

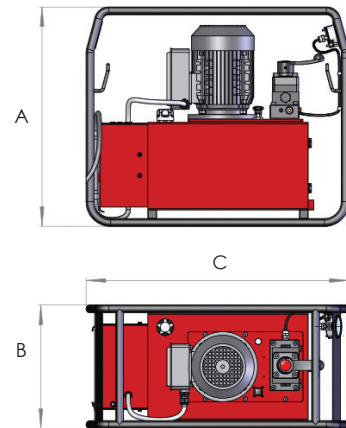


Working pressure 700 bar

Two stage operation

25 litre oil reservoir

- ▶ Choice of 110, 230 or 400/460 volt electric motors available as standard
- ▶ Choice of 2, 3 or 4-way manual control valves with load holding feature on 3 & 4-way versions
- ▶ Externally adjustable pressure relief for pressure settings up to 700 bar
- ▶ Completely enclosed fan cooled low noise electric motors
- ▶ Cable management features for cable/hose winding and stowage
- ▶ Supplied as standard with pressure gauge and a robust roll frame



Model number	Valve type	Oil capacity (litres)	Maximum flow rate (litres/minute)		Motor voltage	Model number (60 Hz motor)	Weight (kg)	Dimensions (mm)		
			1 st stage	2 nd stage				A	B	C
HEP310121	P-T Plate	25	9	1	110V 50 Hz -1Ph	HEP310121H	68.0	627	352	754
HEP310122	P-T Plate	25	9	1	230V 50 Hz -1Ph	HEP310122H	68.0	627	352	754
HEP310124	P-T Plate	25	9	1	400V 50 Hz/460V 60 Hz - 3Ph	-	68.0	627	352	754
HEP310221	2-way	25	9	1	110V 50 Hz -1Ph	HEP310221H	68.5	627	352	754
HEP310222	2-way	25	9	1	230V 50 Hz -1Ph	HEP310222H	68.5	627	352	754
HEP310224	2-way	25	9	1	400V 50 Hz/460V 60 Hz - 3Ph	-	68.5	627	352	754
HEP310321	3-way	25	9	1	110V 50 Hz -1Ph	HEP310321H	68.5	627	352	754
HEP310322	3-way	25	9	1	230V 50 Hz -1Ph	HEP310322H	68.5	627	352	754
HEP310324	3-way	25	9	1	400V 50 Hz/460V 60 Hz - 3Ph	-	68.5	627	352	754
HEP310421	4-way	25	9	1	110V 50 Hz -1Ph	HEP310421H	68.5	627	352	754
HEP310422	4-way	25	9	1	230V 50 Hz -1Ph	HEP310422H	68.5	627	352	754
HEP310424	4-way	25	9	1	400V 50 Hz/460V 60 Hz - 3Ph	-	68.5	627	352	754

Note: 1) All 400/460V models are suitable for operation at 50 Hz and 60 Hz.
 2) All 110V and 230V models are supplied to run at 50 Hz as standard, refer to the table for pumps with 60 Hz motor. 60 Hz models deliver approximately 15-20% higher flow rate.
 3) To order pumps with low voltage solenoid valve and hand pendant controller, suffix 'S' to the pump model number.