

**HEP4 | ELECTRIC DRIVEN PUMPS - GENERAL DUTY HIGH FLOW**

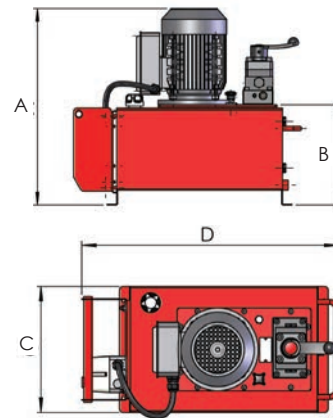


Working pressure 700 bar

Two stage operation

Choice of 40 or 60 litre oil reservoir

- ▶ Choice of 110, 230 or 400/460 volt electric motors available as standard
- ▶ Choice of 2, 3 or 4-way manual control valves with load holding feature on 3 & 4-way versions
- ▶ Externally adjustable pressure relief for pressure settings up to 700 bar
- ▶ Completely enclosed fan cooled low noise electric motors



| Model number | Valve type | Oil capacity (litres) | Maximum flow rate (litres/minute) |                       | Motor voltage               | Model number (60 Hz motor) | Weight (kg) | Dimensions (mm) |     |     |     |
|--------------|------------|-----------------------|-----------------------------------|-----------------------|-----------------------------|----------------------------|-------------|-----------------|-----|-----|-----|
|              |            |                       | 1 <sup>st</sup> stage             | 2 <sup>nd</sup> stage |                             |                            |             | A               | B   | C   | D   |
| HEP410141    | P-T Plate  | 40                    | 9                                 | 1                     | 110V 50 Hz -1Ph             | HEP410141H                 | 88.5        | 693             | 386 | 306 | 633 |
| HEP410142    | P-T Plate  | 40                    | 9                                 | 1                     | 230V 50 Hz -1Ph             | HEP410142H                 | 88.5        | 693             | 386 | 306 | 633 |
| HEP410144    | P-T Plate  | 40                    | 9                                 | 1                     | 400V 50 Hz/460V 60 Hz - 3Ph | -                          | 88.5        | 693             | 386 | 306 | 633 |
| HEP410161    | P-T Plate  | 60                    | 9                                 | 1                     | 110V 50 Hz -1Ph             | HEP410161H                 | 120.0       | 713             | 407 | 406 | 656 |
| HEP410162    | P-T Plate  | 60                    | 9                                 | 1                     | 230V 50 Hz -1Ph             | HEP410162H                 | 120.0       | 713             | 407 | 406 | 656 |
| HEP410164    | P-T Plate  | 60                    | 9                                 | 1                     | 400V 50 Hz/460V 60 Hz - 3Ph | -                          | 120.0       | 713             | 407 | 406 | 656 |
| HEP410241    | 2-way      | 40                    | 9                                 | 1                     | 110V 50 Hz -1Ph             | HEP410241H                 | 89.0        | 693             | 386 | 306 | 633 |
| HEP410242    | 2-way      | 40                    | 9                                 | 1                     | 230V 50 Hz -1Ph             | HEP410242H                 | 89.0        | 693             | 386 | 306 | 633 |
| HEP410244    | 2-way      | 40                    | 9                                 | 1                     | 400V 50 Hz/460V 60 Hz - 3Ph | -                          | 89.0        | 693             | 386 | 306 | 633 |
| HEP410261    | 2-way      | 60                    | 9                                 | 1                     | 110V 50 Hz -1Ph             | HEP410261H                 | 120.5       | 713             | 407 | 406 | 656 |
| HEP410262    | 2-way      | 60                    | 9                                 | 1                     | 230V 50 Hz -1Ph             | HEP410262H                 | 120.5       | 713             | 407 | 406 | 656 |
| HEP410264    | 2-way      | 60                    | 9                                 | 1                     | 400V 50 Hz/460V 60 Hz - 3Ph | -                          | 120.5       | 713             | 407 | 406 | 656 |
| HEP410341    | 3-way      | 40                    | 9                                 | 1                     | 110V 50 Hz -1Ph             | HEP410341H                 | 89.0        | 693             | 386 | 306 | 633 |
| HEP410342    | 3-way      | 40                    | 9                                 | 1                     | 230V 50 Hz -1Ph             | HEP410342H                 | 89.0        | 693             | 386 | 306 | 633 |
| HEP410344    | 3-way      | 40                    | 9                                 | 1                     | 400V 50 Hz/460V 60 Hz - 3Ph | -                          | 89.0        | 693             | 386 | 306 | 633 |
| HEP410361    | 3-way      | 60                    | 9                                 | 1                     | 110V 50 Hz -1Ph             | HEP410361H                 | 120.5       | 713             | 407 | 406 | 656 |
| HEP410362    | 3-way      | 60                    | 9                                 | 1                     | 230V 50 Hz -1Ph             | HEP410362H                 | 120.5       | 713             | 407 | 406 | 656 |
| HEP410364    | 3-way      | 60                    | 9                                 | 1                     | 400V 50 Hz/460V 60 Hz - 3Ph | -                          | 120.5       | 713             | 407 | 406 | 656 |
| HEP410441    | 4-way      | 40                    | 9                                 | 1                     | 110V 50 Hz -1Ph             | HEP410441H                 | 89.0        | 693             | 386 | 306 | 633 |
| HEP410442    | 4-way      | 40                    | 9                                 | 1                     | 230V 50 Hz -1Ph             | HEP410442H                 | 89.0        | 693             | 386 | 306 | 633 |
| HEP410444    | 4-way      | 40                    | 9                                 | 1                     | 400V 50 Hz/460V 60 Hz - 3Ph | -                          | 89.0        | 693             | 386 | 306 | 633 |
| HEP410461    | 4-way      | 60                    | 9                                 | 1                     | 110V 50 Hz -1Ph             | HEP410461H                 | 120.5       | 713             | 407 | 406 | 656 |
| HEP410462    | 4-way      | 60                    | 9                                 | 1                     | 230V 50 Hz -1Ph             | HEP410462H                 | 120.5       | 713             | 407 | 406 | 656 |
| HEP410464    | 4-way      | 60                    | 9                                 | 1                     | 400V 50 Hz/460V 60 Hz - 3Ph | -                          | 120.5       | 713             | 407 | 406 | 656 |

- Note:**
- 1) All 400/460V models are suitable for operation at 50 Hz and 60 Hz.
  - 2) All 110V and 230V models are supplied to run at 50 Hz as standard, refer to the table for pumps with 60 Hz motor. 60 Hz models deliver approximately 15-20% higher flow rate.
  - 3) To order pumps with low voltage solenoid valve and hand pendant controller, suffix 'S' to the pump model number.

**WHEEL TROLLEY**

| Model number | Description   |
|--------------|---|
| PPA40WT      | Wheel trolley for all pumps with 40 litre oil reservoir |
| PPA60WT      | Wheel trolley for all pumps with 60 litre oil reservoir |

All HEP4 pumps can be supplied with a factory fitted wheel trolley. Please suffix 'WT' to the pump model number.

