

BW | BACKUP WRENCHES

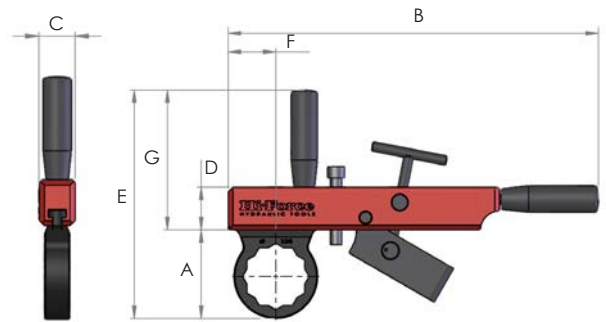


Suitable for use with TWS-N & TWH-N wrenches

Interchangeable hexagon links

Positive release mechanism

- ▶ Prevents back nut rotation during torque tightening applications
- ▶ Heavy duty industrial construction with ergonomic grip for safe and easy operation
- ▶ 'T-Bar' design adjustable reaction point prevents lock up once tightening is completed
- ▶ Standard imperial and metric female hexagon links available



IMPERIAL

COMPLETE SET:

Model number	Description	BWH incl. set of links:	
		From	To
BWI-SET	Holder complete with imperial link set (12 pcs)	1 7/16"	3 7/8"

HOLDER AND IMPERIAL HEXAGON LINKS:

Model number	Description	Hexagon AF size	Dimensions (mm)						
			A	B	C	D	E	F	G
Holder									
BWH	Backup wrench holder	-							
Hexagon links									
BWI-107	Hexagon link	1 7/16"	64.5	390	36	45	211.5	50	147
BWI-110	Hexagon link	1 5/8"	73.5	390	36	45	220.5	50	147
BWI-113	Hexagon link	1 13/16"	78.5	390	36	45	225.5	50	147
BWI-200	Hexagon link	2"	85	390	36	45	232	50	147
BWI-203	Hexagon link	2 3/16"	87.5	390	36	45	234.5	50	147
BWI-206	Hexagon link	2 3/8"	93	390	36	45	240	50	147
BWI-209	Hexagon link	2 9/16"	97.5	390	36	45	244.5	50	147
BWI-212	Hexagon link	2 3/4"	104.5	390	36	45	251.5	50	147
BWI-215	Hexagon link	2 15/16"	113	390	36	45	260	50	147
BWI-302	Hexagon link	3 1/8"	119.5	390	36	45	266.5	50	147
BWI-308	Hexagon link	3 1/2"	132.5	390	36	45	279.5	50	147
BWI-314	Hexagon link	3 7/8"	147.5	390	36	45	294.5	50	147

METRIC

COMPLETE SET:

Model number	Description	BWH incl. set of links:	
		From	To
BWM-SET	Holder complete with metric link set (14 pcs)	36 mm	100 mm

HOLDER AND METRIC HEXAGON LINKS:

Model number	Description	Hexagon AF size	Dimensions (mm)						
			A	B	C	D	E	F	G
Holder									
BWH	Backup wrench holder	-							
Hexagon links									
BWM-36	Hexagon link	36 mm	64.5	390	36	45	211.5	50	147
BWM-41	Hexagon link	41 mm	73.5	390	36	45	220.5	50	147
BWM-46	Hexagon link	46 mm	78.5	390	36	45	225.5	50	147
BWM-50	Hexagon link	50 mm	85	390	36	45	232	50	147
BWM-55	Hexagon link	55 mm	87.5	390	36	45	234.5	50	147
BWM-60	Hexagon link	60 mm	93	390	36	45	240	50	147
BWM-65	Hexagon link	65 mm	97.5	390	36	45	244.5	50	147
BWM-70	Hexagon link	70 mm	104.5	390	36	45	251.5	50	147
BWM-75	Hexagon link	75 mm	113	390	36	45	260	50	147
BWM-80	Hexagon link	80 mm	119.5	390	36	45	266.5	50	147
BWM-85	Hexagon link	85 mm	130	390	36	45	277	50	147
BWM-90	Hexagon link	90 mm	135.5	390	36	45	282.5	50	147
BWM-95	Hexagon link	95 mm	143	390	36	45	290	50	147
BWM-100	Hexagon link	100 mm	148	390	36	45	295	50	147