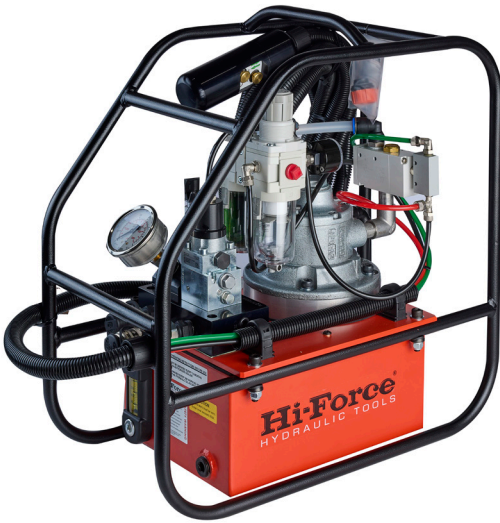


HTWP | TORQUE WRENCH PUMPS - STANDARD LINE

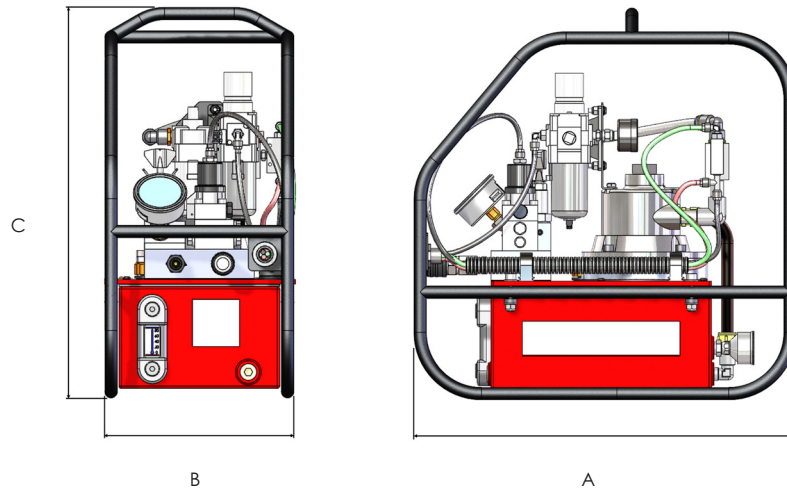


Working pressure 700 bar

Two stage operation

Air or electric driven options

- ▶ Compatible for use with TWS-N and TWH-N series hydraulic torque wrenches
- ▶ Two stage operation with low pressure flow rate of up to 6.1 litres per minute
- ▶ 110, 120, 220 and 230 volt single phase electric motor with auto retract function
- ▶ Integral oil cooling system in air driven models
- ▶ Dual scale (bar/psi) glycerine filled pressure gauge
- ▶ Easily adjustable torque setting pressure relief valve
- ▶ Reservoir oil sight level gauge fitted on all models
- ▶ Air pressure gauge and filter, regulator and lubricator unit fitted on air driven models
- ▶ Oil reservoir capacity 5 litres
- ▶ Remote hand pendant controller with 3 metres cable for easy operation
- ▶ Factory fitted roll bar protection frame included



| Model number | Power supply | Motor rating (kW) | Flow rate (litres/minute) | | Changeover pressure (bar) | Weight (kg) | Dimensions (mm) | | |
|--------------|--------------|-------------------|---------------------------|---------------|---------------------------|-------------|-----------------|-----|-----|
| | | | low pressure | high pressure | | | A | B | C |
| HTWP2140P | 7 bar | 1.5 | 6.1 | 0.51 | 60 | 28 | 486 | 241 | 446 |
| HTWP2141AR | 110 volt | 0.75 | 3.7 | 0.34 | 60 | 34 | 486 | 241 | 446 |
| HTWP2141ARH | 120 volt | 0.75 | 4.4 | 0.4 | 60 | 34 | 486 | 241 | 446 |
| HTWP2142AR | 230 volt | 0.75 | 3.7 | 0.34 | 60 | 34 | 486 | 241 | 446 |
| HTWP2142ARH | 220 volt | 0.75 | 4.4 | 0.4 | 60 | 34 | 486 | 241 | 446 |

Note: Pumps with suffix 'H' in the model number are supplied with 60 Hz electric motor.