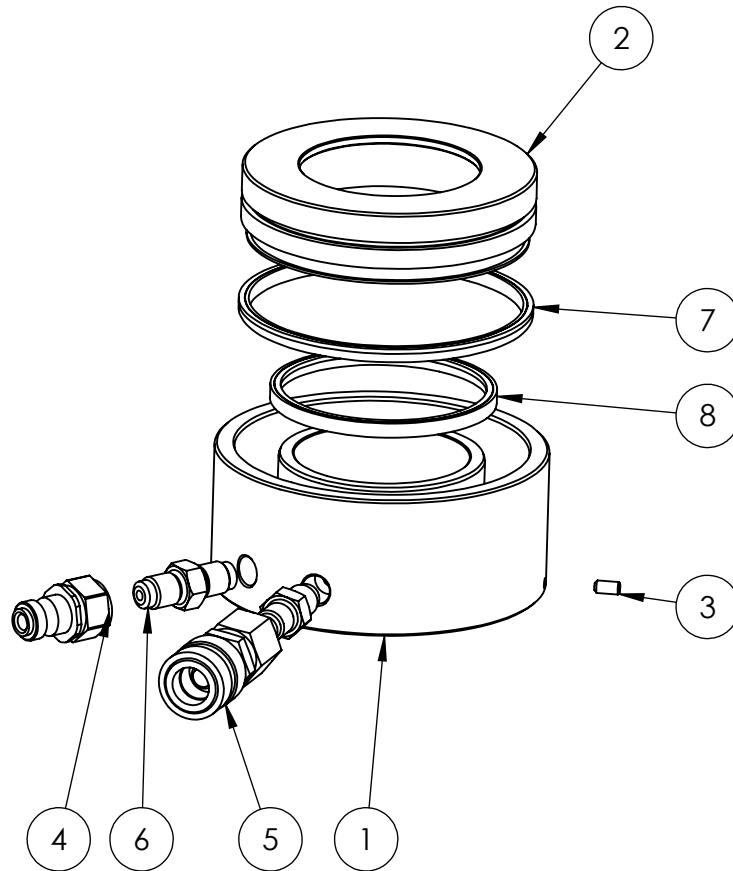


REVISION

1	
2	
3	3932
4	
5	
6	
7	
8	
9	
10	
11	
12	
13	
14	
15	
16	
17	
18	
19	
20	



ITEM NO.	PART NUMBER	DESCRIPTION	QTY.
1	BTC083CL002	CYLINDER	1
2	BTC083PL003	PISTON (STS)	1
3	FAS005ME010	CUP PT SCREW	3
4	STMC4	NIPPLE	1
5	STFC4	COUPLER	1
6	STN1P4-C	ADAPTER	2
7	X	OUTER SEAL	1
8	X	INNER SEAL	1

ITEMS MARKED X ARE AVAILABLE IN SERVICE KIT STS3LCTP2-K ONLY

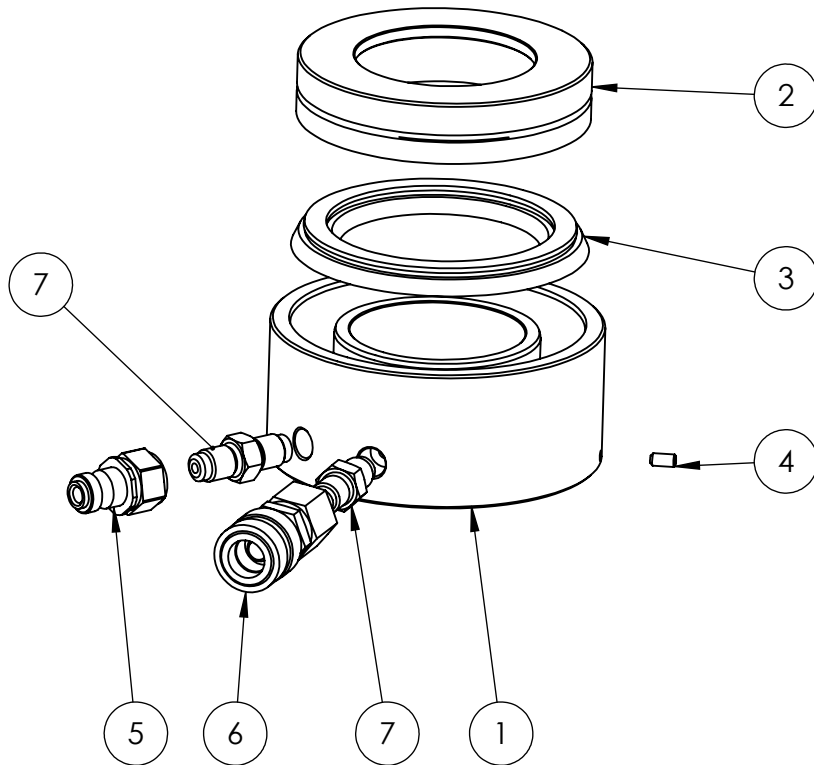
IMPORTANT

WHEN ORDERING SPARES YOU MUST STATE THE FULL PART NUMBER AND THE PRODUCT SERIAL NUMBER - FROM THE LABEL TO PROTECT YOUR WARRANTY ALWAYS USE GENUINE HI-FORCE PARTS.

REVISION

1	
2	3932
3	
4	
5	
6	
7	
8	
9	
10	
11	
12	
13	
14	
15	
16	
17	
18	
19	
20	

ITEM NO.	PART NUMBER	DESCRIPTION	QTY.
1	BTC083CL001	CYLINDER	1
2	BTC083PL001	PISTON (STS)	1
3	STS3LCTP1-K	PISTON SEAL	1
4	FAS005ME010	CUP PT SCREW	3
5	STMC4	NIPPLE	1
6	STFC4	COUPLER	1
7	STN1P4-C	ADAPTER	2

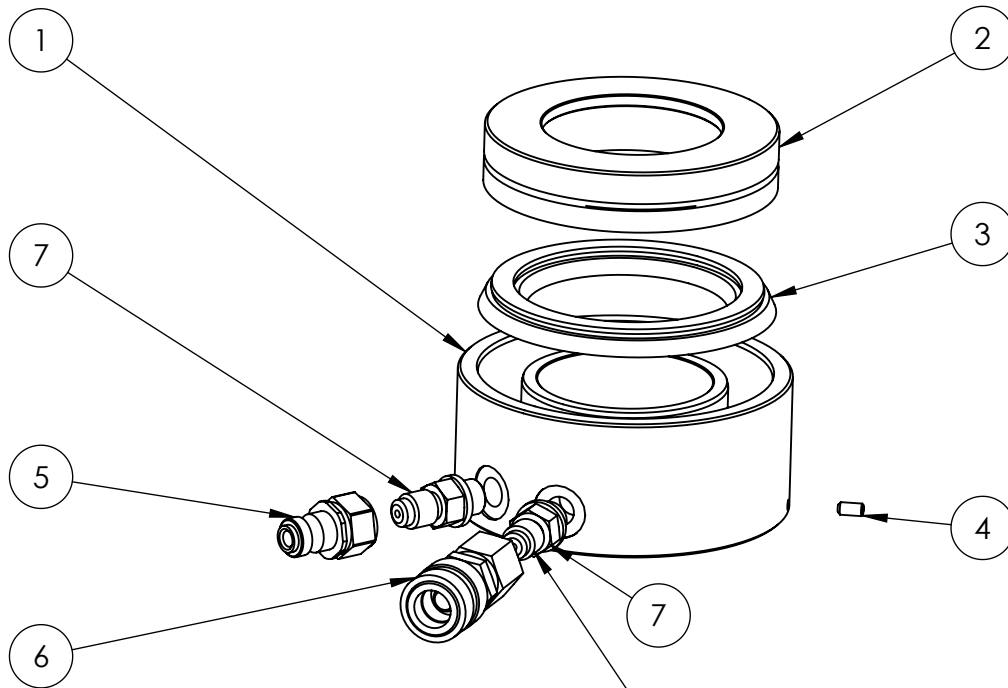


IMPORTANT

WHEN ORDERING SPARES YOU MUST STATE THE FULL PART NUMBER AND THE PRODUCT SERIAL NUMBER - FROM THE LABEL TO PROTECT YOUR WARRANTY ALWAYS USE GENUINE HI-FORCE PARTS.

ITEM NO.	PART NUMBER	DESCRIPTION	QTY.
1	BTC083CL001 (NOTE 1)	CYLINDER	1
2	BTC083PL001	PISTON (STS)	1
3	STS3LCTP1-K	PISTON SEAL	1
4	FAS005ME010	CUP PT SCREW	3
5	STMC4	NIPPLE	1
6	STFC4	COUPLER	1
7	STN1P4 (NOTE 2)	NIPPLE ASSY	2

2
3
4
5
6
7
8
9
10
11
12
13
14
15
16
17
18
19
20



EARLIER VERSIONS OF ITEM 7
HAD 2 BONDED SEALS. NEW VERSION
IS INTERCHANGEABLE

NOTE 1:
IF CYLINDER IS REPLACED, ITEM 7 MUST ALSO BE REPLACED WITH
STNP4-C AND THEN BONDED SEAL NO LONGER REQUIRED

NOTE 2:
INCLUDES BONDED SEAL

IMPORTANT

WHEN ORDERING SPARES YOU MUST STATE THE FULL PART NUMBER AND THE
PRODUCT SERIAL NUMBER - FROM THE LABEL
TO PROTECT YOUR WARRANTY ALWAYS USE GENUINE HI-FORCE PARTS.