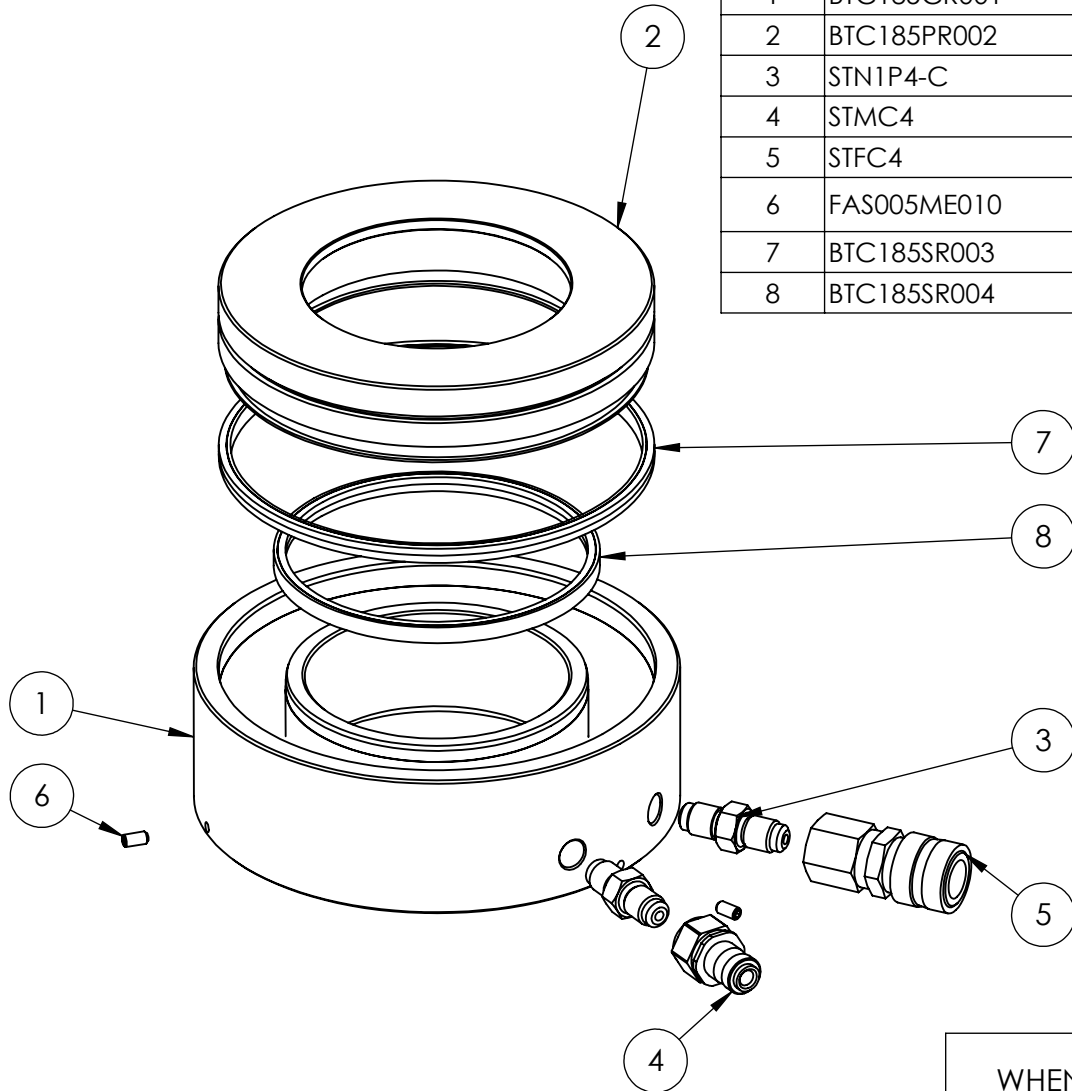


ITEM NO.	PART NUMBER	DESCRIPTION	QTY.	SPARE PART	SERVICE PART
1	BTC185CR001	CYLINDER	1	X	
2	BTC185PR002	PISTON (STS)	1	X	
3	STN1P4-C	ADAPTER	2		
4	STMC4	NIPPLE	1		
5	STFC4	COUPLER	1		
6	FAS005ME010	SOCKET CUP PT SCREW M5 x 10	3		
7	BTC185SR003	OUTER SEAL	1	X	✓
8	BTC185SR004	INNER SEAL	1	X	✓



- ALL PARTS ARE AVAILABLE TO BE ORDERED AS INDIVIDUAL SPARE PARTS (UNLESS MARKED WITH X).

- ALL PARTS MARKED WITH ✓ ARE **ONLY** AVAILABLE AS SERVICEABLE PARTS FOUND IN: **STS5LCTP2-K** SEAL KIT.

**IMPORTANT**

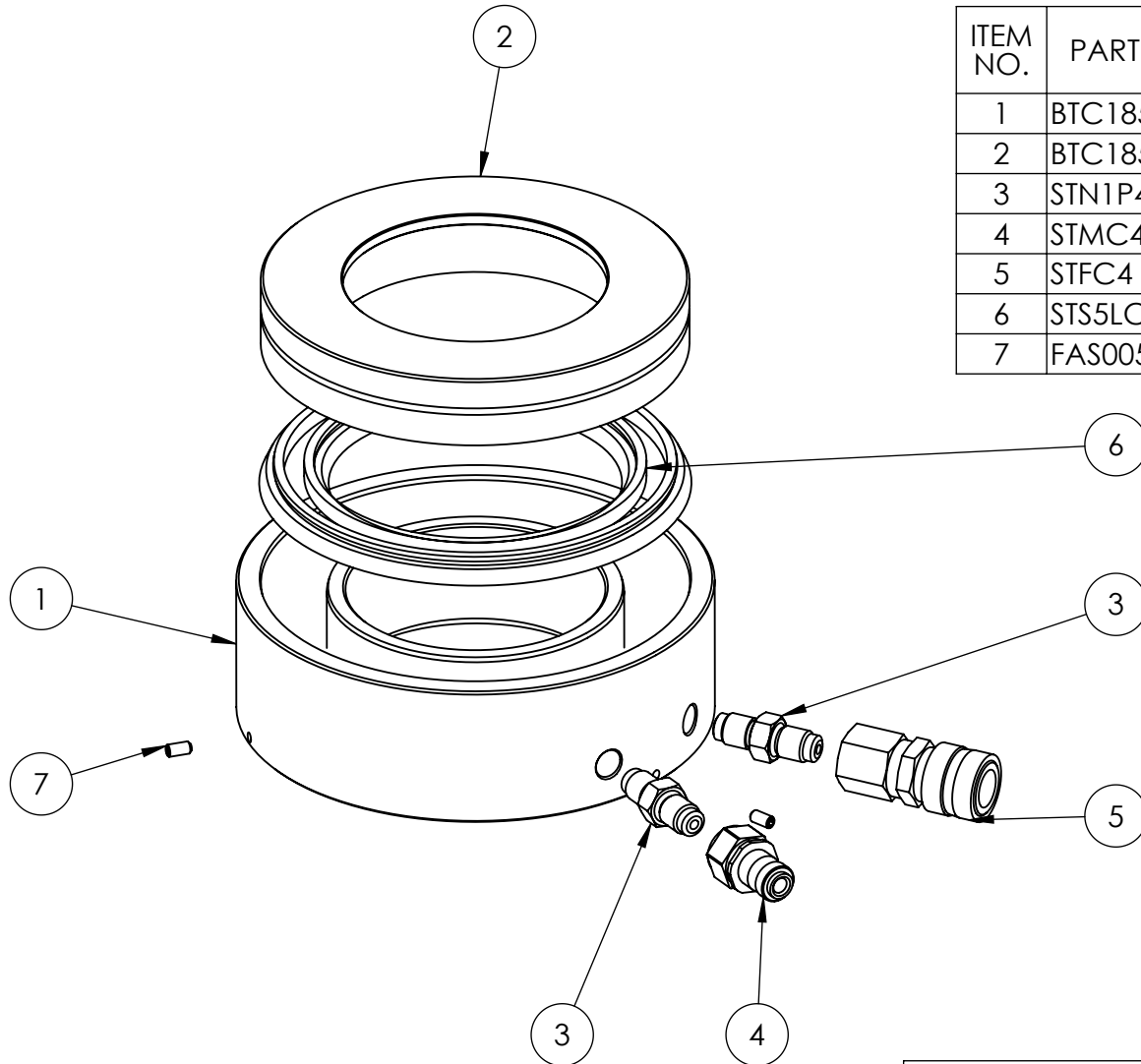
WHEN ORDERING SPARES YOU MUST STATE THE FULL PART NUMBER AND THE PRODUCT SERIAL NUMBER - FROM THE LABEL TO PROTECT YOUR WARRANTY ALWAYS USE GENUINE HI-FORCE PARTS.

1	
2	
3	3932
4	6374
5	
6	
7	
8	
9	
10	
11	
12	
13	
14	
15	
16	
17	
18	
19	
20	

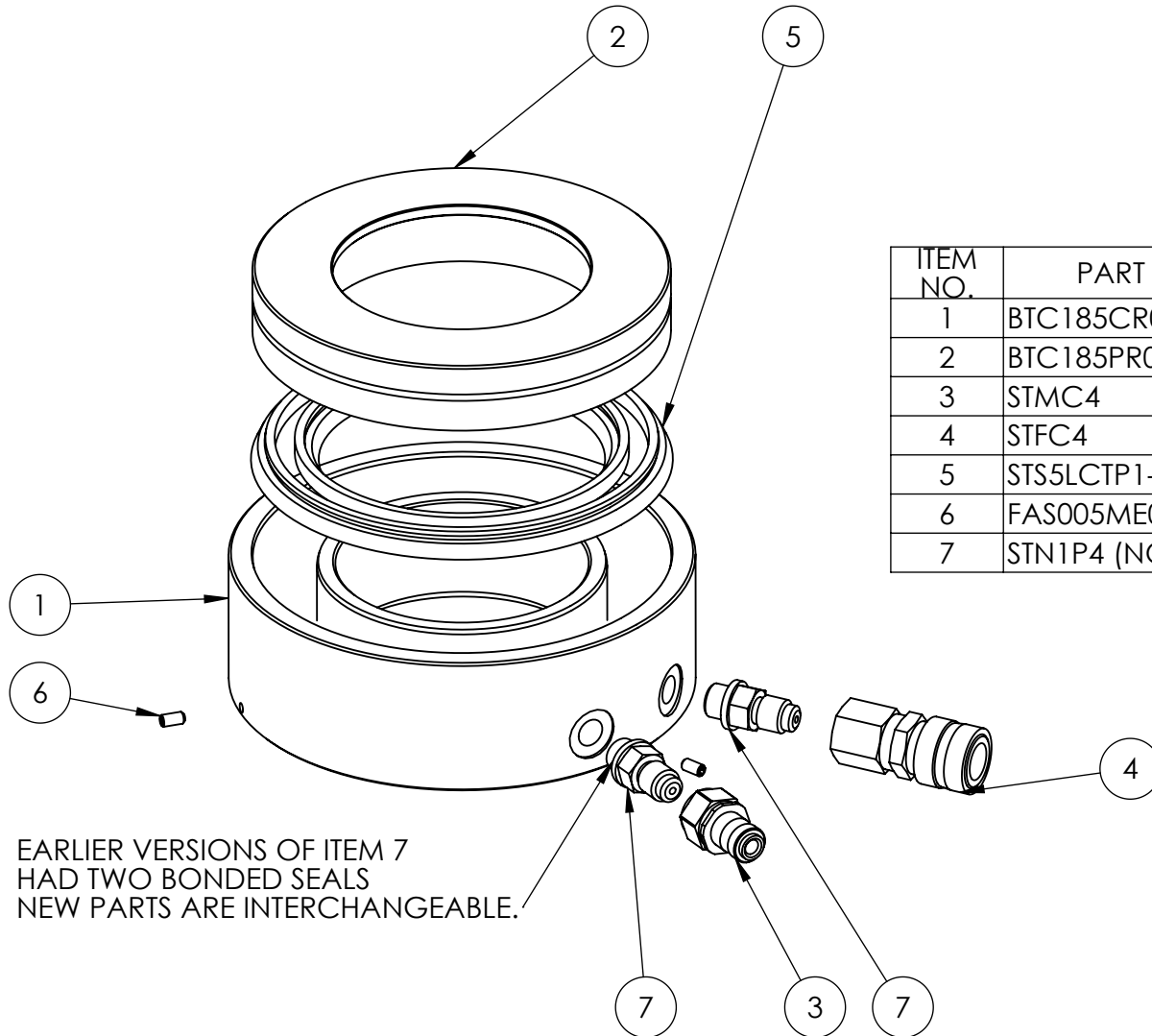
REVISION

1	
2	3932
3	
4	
5	
6	
7	
8	
9	
10	
11	
12	
13	
14	
15	
16	
17	
18	
19	
20	

ITEM NO.	PART NUMBER	DESCRIPTION	QTY
1	BTC185CR001	CYLINDER	1
2	BTC185PR001	PISTON (STS)	1
3	STN1P4-C	ADAPTER	2
4	STMC4	NIPPLE	1
5	STFC4	COUPLER	1
6	STS5LCTP1-K	PISTON SEAL.	1
7	FAS005ME010	CUP PT SCREW	3



**IMPORTANT**  
WHEN ORDERING SPARES YOU MUST STATE THE FULL PART NUMBER AND THE PRODUCT SERIAL NUMBER - FROM THE LABEL TO PROTECT YOUR WARRANTY ALWAYS USE GENUINE HI-FORCE PARTS.



EARLIER VERSIONS OF ITEM 7  
HAD TWO BONDED SEALS  
NEW PARTS ARE INTERCHANGEABLE.

ITEM NO.	PART NUMBER	DESCRIPTION	QTY.
1	BTC185CR001 (NOTE 1)	CYLINDER	1
2	BTC185PR001	PISTON (STS)	1
3	STMC4	NIPPLE	1
4	STFC4	COUPLER	1
5	STS5LCTP1-K	PISTON SEAL.	1
6	FAS005ME010	CUP PT SCREW	3
7	STN1P4 (NOTE 2)	NIPPLE ASSY	2

NOTE 1:  
IF CYLINDER IS REPLACED THEN ITEM 7 MUST  
ALSO BE REPLACED BY STN1P4-C AND THEN  
BONDED SEALS NO LONGER REQUIRED.

NOTE 2: ALSO INCLUDES BONDED SEAL

REVISION

1 3932

2

3

4

5

6

7

8

9

10

11

12

13

14

15

16

17

18

19

20

**IMPORTANT**  
WHEN ORDERING SPARES YOU MUST STATE THE FULL PART NUMBER AND THE  
PRODUCT SERIAL NUMBER - FROM THE LABEL  
TO PROTECT YOUR WARRANTY ALWAYS USE GENUINE HI-FORCE PARTS.