

ITEM NO.	PART NUMBER	DESCRIPTION	QTY.	SPARE PART	SERVICE PART
1	BTC268CX001	CYLINDER	1	X	
2	BTC268PX002	PISTON (STS)	1	X	
3	STN1P4-C	ADAPTER	2		
4	FAS005ME006	SOCKET CUP PT SCREW M5 x 6	3		
5	STMC4	NIPPLE	1		
6	STFC4	COUPLER	1		
7	BTC268SX002	OUTER SEAL	1	X	✓
8	BTC268SX003	INNER SEAL	1	X	✓

- ALL PARTS ARE AVAILABLE TO BE ORDERED AS INDIVIDUAL SPARE PARTS (UNLESS MARKED WITH X).

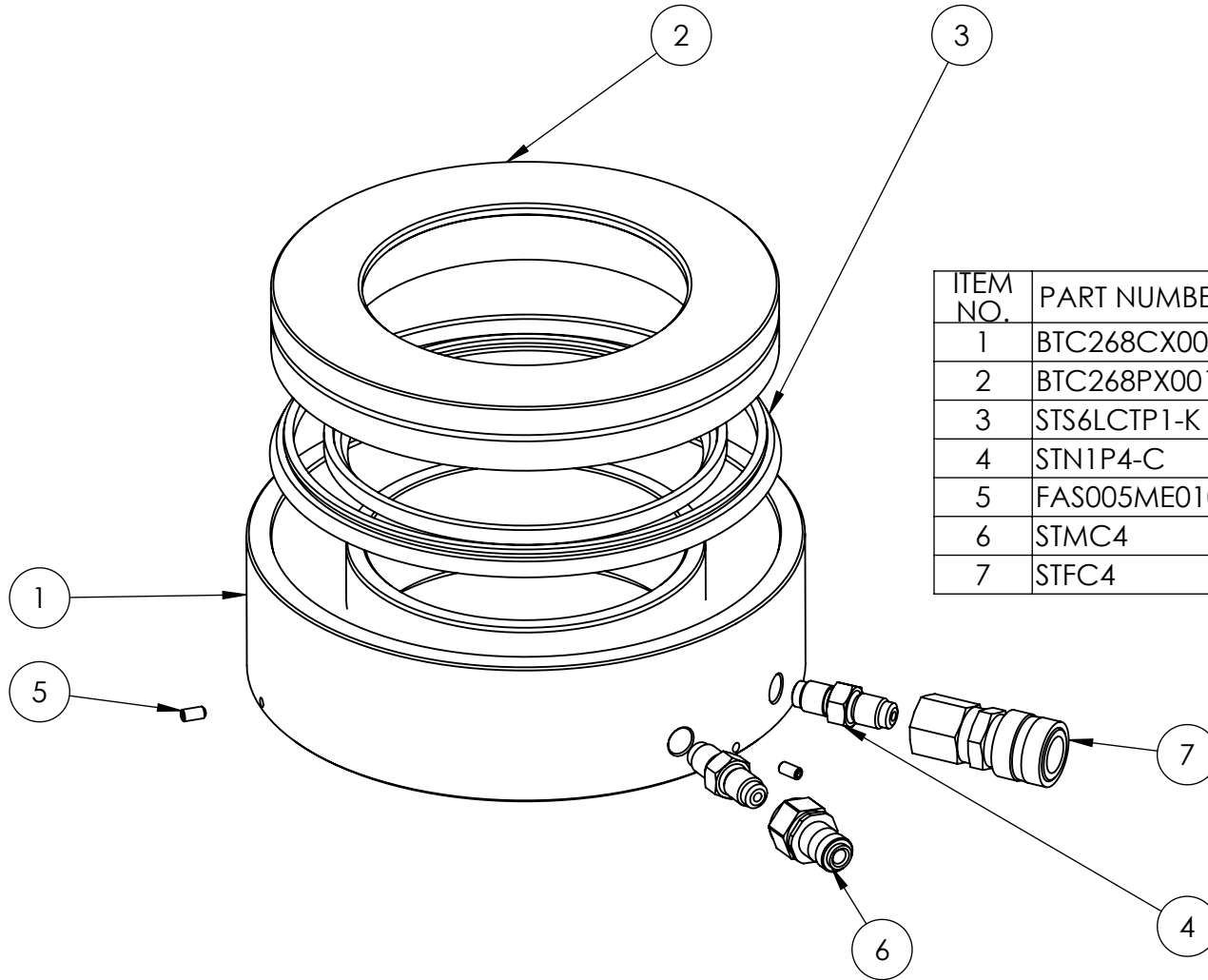
- ALL PARTS MARKED WITH ✓ ARE **ONLY** AVAILABLE AS SERVICEABLE PARTS FOUND IN: **STS6LCTP2-K** SEAL KIT.

1	
2	
3	3932
4	6374
5	
6	
7	
8	
9	
10	
11	
12	
13	
14	
15	
16	
17	
18	
19	
20	

**IMPORTANT**

WHEN ORDERING SPARES YOU MUST STATE THE FULL PART NUMBER AND THE PRODUCT SERIAL NUMBER - FROM THE LABEL TO PROTECT YOUR WARRANTY ALWAYS USE GENUINE HI-FORCE PARTS.

1	
2	3932
3	
4	
5	
6	
7	
8	
9	
10	
11	
12	
13	
14	
15	
16	
17	
18	
19	
20	

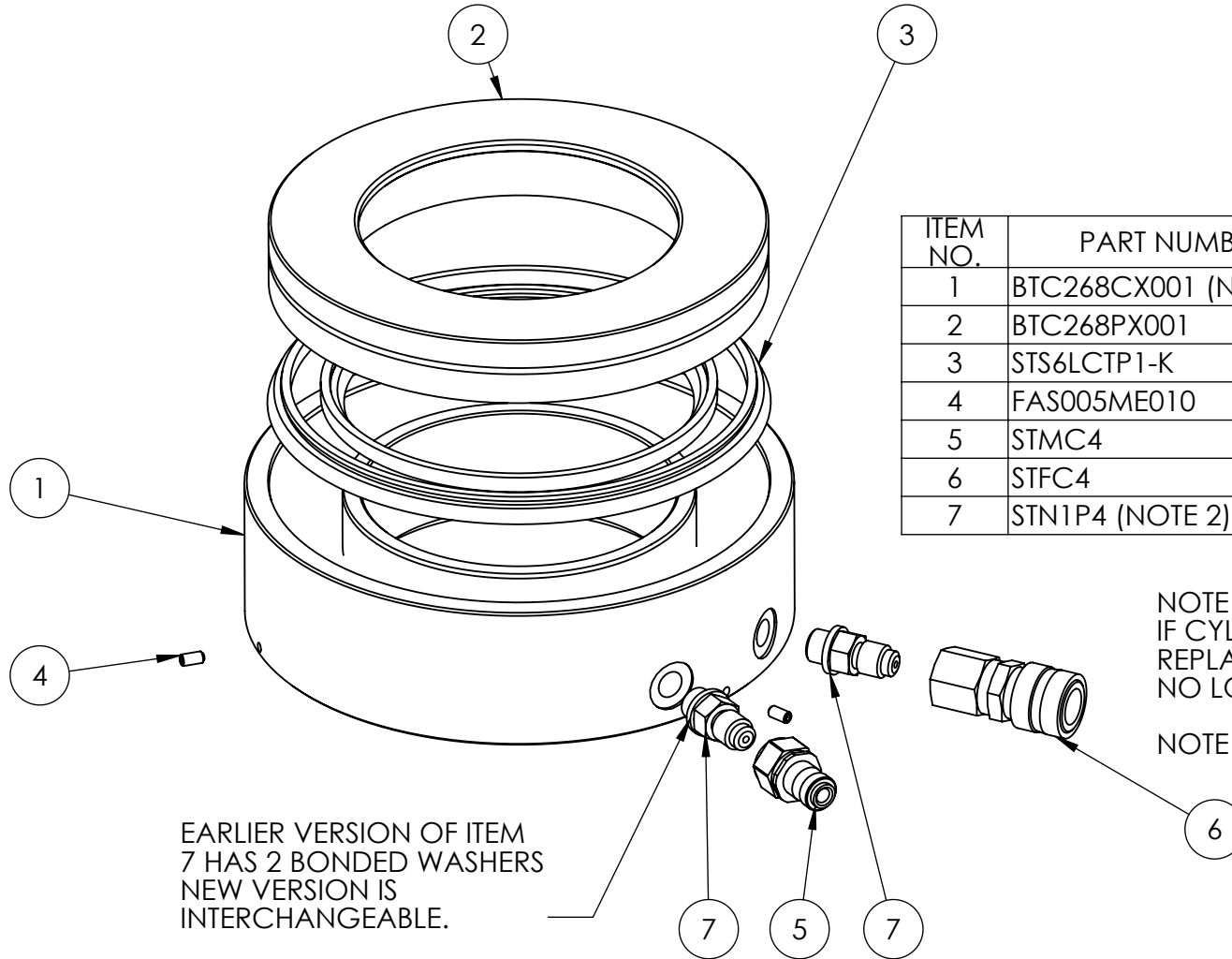


ITEM NO.	PART NUMBER	DESCRIPTION	QTY.
1	BTC268CX001	CYLINDER	1
2	BTC268PX001	PISTON (STS)	1
3	STS6LCTP1-K	PISTON SEAL.	1
4	STN1P4-C	ADAPTER	2
5	FAS005ME010	CUP PT SCREW	3
6	STMC4	NIPPLE	1
7	STFC4	COUPLER	1

**IMPORTANT**

WHEN ORDERING SPARES YOU MUST STATE THE FULL PART NUMBER AND THE PRODUCT SERIAL NUMBER - FROM THE LABEL TO PROTECT YOUR WARRANTY ALWAYS USE GENUINE HI-FORCE PARTS.

2
3
4
5
6
7
8
9
10
11
12
13
14
15
16
17
18
19
20



ITEM NO.	PART NUMBER	DESCRIPTION	QTY.
1	BTC268CX001 (NOTE 1)	CYLINDER	1
2	BTC268PX001	PISTON (STS)	1
3	STS6LCTP1-K	PISTON SEAL.	1
4	FAS005ME010	CUP PT SCREW	3
5	STMC4	NIPPLE	1
6	STFC4	COUPLER	1
7	STN1P4 (NOTE 2)	NIPPLE ASSY	2

NOTE 1:  
IF CYLINDER IS REPLACED THEN ITEM 7 MUST BE REPLACED WITH STNP4-C AND THEN BONDED WASHERS NO LONGER REQUIRED

NOTE 2: INCLUDES BONDED WASHER

EARLIER VERSION OF ITEM 7 HAS 2 BONDED WASHERS NEW VERSION IS INTERCHANGEABLE.

**IMPORTANT**

WHEN ORDERING SPARES YOU MUST STATE THE FULL PART NUMBER AND THE PRODUCT SERIAL NUMBER - FROM THE LABEL TO PROTECT YOUR WARRANTY ALWAYS USE GENUINE HI-FORCE PARTS.