

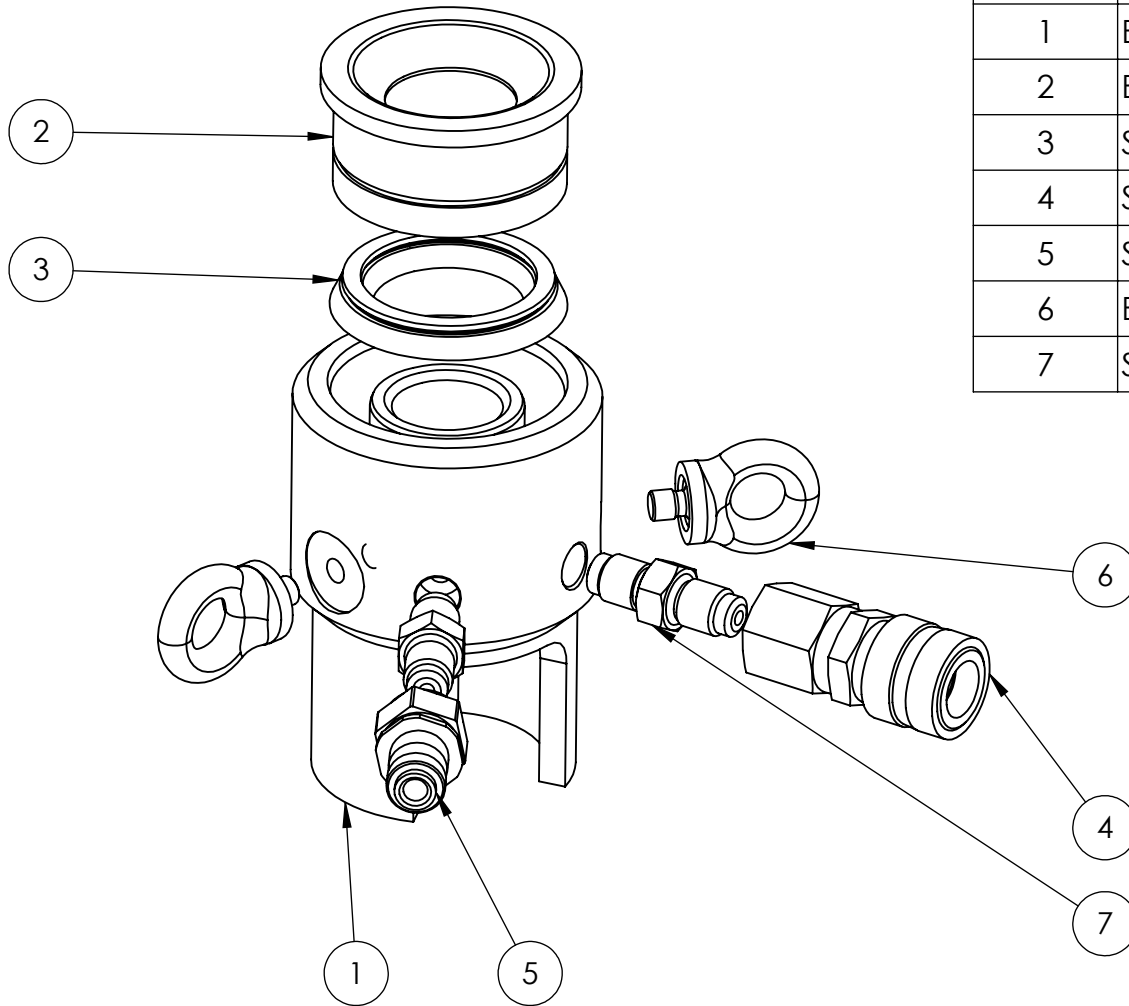
| ITEM NO. | PART NUMBER | DESCRIPTION | QTY. |
|----------|-------------|-------------|------|
| 1 | BTC025CJ002 | CYLINDER | 1 |
| 2 | BTC025PJ005 | PISTON | 1 |
| 3 | X | OUTER SEAL | 1 |
| 4 | X | INNER SEAL | 1 |
| 5 | STN1P4-C | ADAPTER | 2 |
| 6 | STFC4 | COUPLER | 1 |
| 7 | STMC4 | NIPPLE | 1 |
| 8 | BS4278-M8 | EYEBOLT | 2 |

ITEMS MARKED X ARE AVAILABLE IN SERVICE KIT
STU1LCTP2-K ONLY

REVISION

| | |
|----|------|
| 1 | |
| 2 | |
| 3 | 4094 |
| 4 | |
| 5 | |
| 6 | |
| 7 | |
| 8 | |
| 9 | |
| 10 | |
| 11 | |
| 12 | |
| 13 | |
| 14 | |
| 15 | |
| 16 | |
| 17 | |
| 18 | |
| 19 | |
| 20 | |

IMPORTANT
WHEN ORDERING SPARES YOU MUST STATE THE FULL PART NUMBER AND THE
PRODUCT SERIAL NUMBER - FROM THE LABEL
TO PROTECT YOUR WARRANTY ALWAYS USE GENUINE HI-FORCE PARTS.



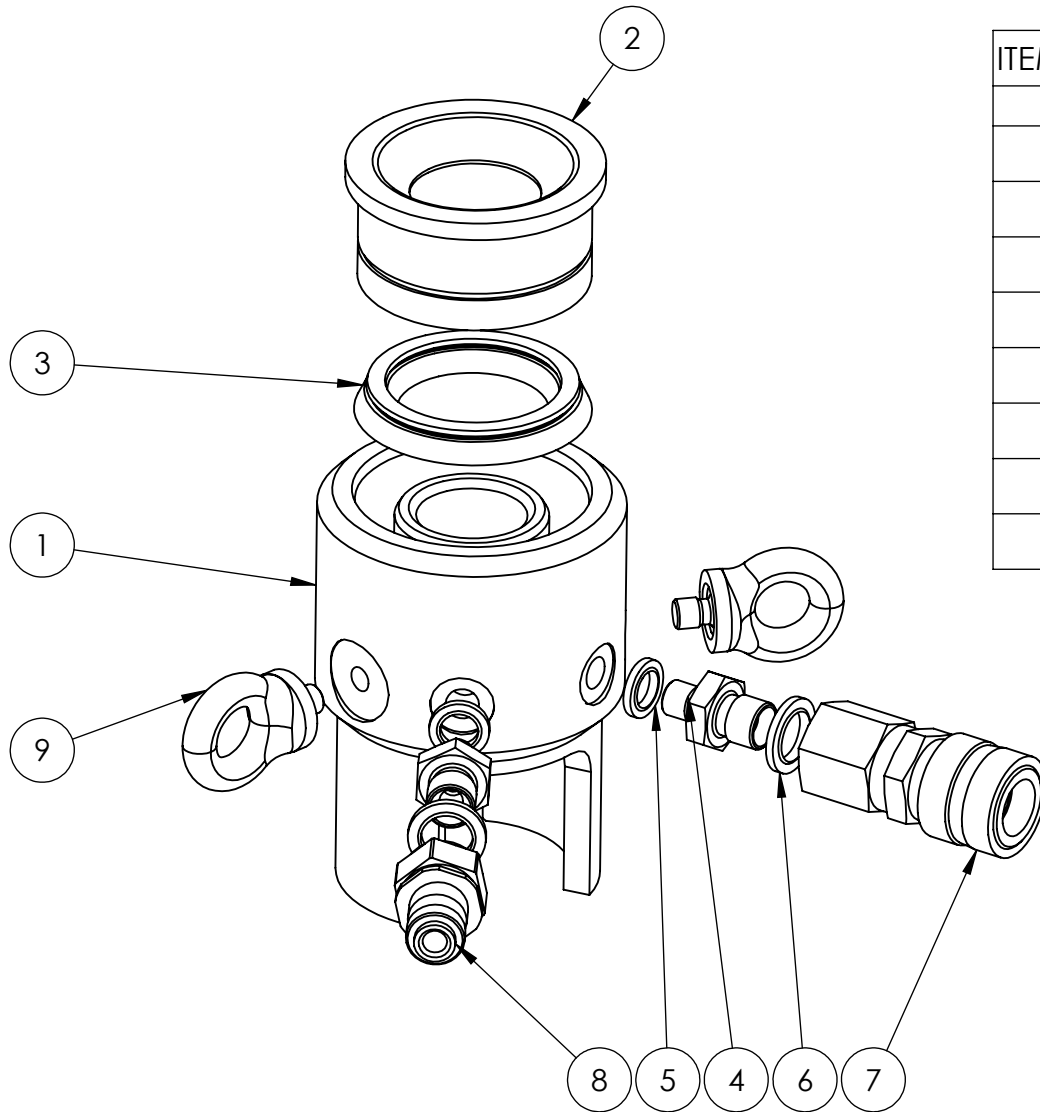
| ITEM NO. | PART NUMBER | DESCRIPTION | QTY. |
|----------|-------------|-------------|------|
| 1 | BTC025CJ002 | CYLINDER | 1 |
| 2 | BTC025PJ004 | PISTON | 1 |
| 3 | STU1LCTP1-K | SEAL | 1 |
| 4 | STFC4 | COUPLER | 1 |
| 5 | STMC4 | NIPPLE | 1 |
| 6 | BS4278-M8 | EYEBOLT | 2 |
| 7 | STN1P4-C | ADAPTER | 2 |

REVISION

| | |
|----|------|
| 1 | |
| 2 | 4094 |
| 3 | |
| 4 | |
| 5 | |
| 6 | |
| 7 | |
| 8 | |
| 9 | |
| 10 | |
| 11 | |
| 12 | |
| 13 | |
| 14 | |
| 15 | |
| 16 | |
| 17 | |
| 18 | |
| 19 | |
| 20 | |

IMPORTANT

WHEN ORDERING SPARES YOU MUST STATE THE FULL PART NUMBER AND THE PRODUCT SERIAL NUMBER - FROM THE LABEL TO PROTECT YOUR WARRANTY ALWAYS USE GENUINE HI-FORCE PARTS.



| ITEM NO. | PART NUMBER | DESCRIPTION | QTY. |
|----------|----------------------|--------------|------|
| 1 | BTC025CJ002 (NOTE 1) | CYLINDER | 1 |
| 2 | BTC025PJ004 | PISTON | 1 |
| 3 | STU1LCTP1-K | SEAL | 1 |
| 4 | FPC003QB001 | ADAPTOR | 2 |
| 5 | WAC003HD000 | DOWTY WASHER | 2 |
| 6 | WAC007HD000 | DOWTY WASHER | 2 |
| 7 | STFC4 | COUPLER | 1 |
| 8 | STMC4 | NIPPLE | 1 |
| 9 | BS4278-M8 | EYEBOLT | 2 |

NOTES:
1. WHEN REPLACING CYLINDER ITEMS 4,5 AND 6 MUST BE REPLACED WITH STN1P4-C

REVISION

1 4094

2

3

4

5

6

7

8

9

10

11

12

13

14

15

16

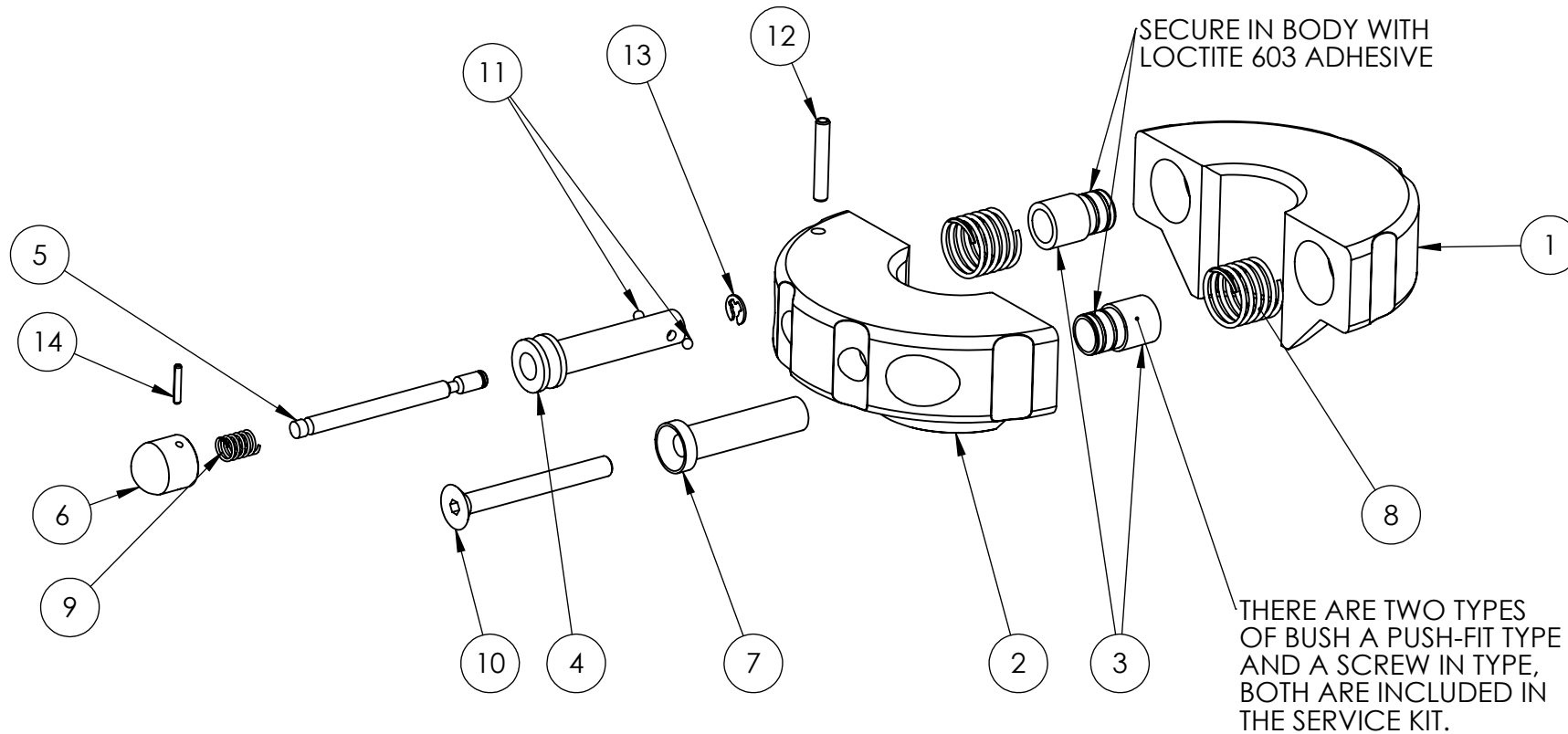
17

18

19

20

IMPORTANT
WHEN ORDERING SPARES YOU MUST STATE THE FULL PART NUMBER AND THE PRODUCT SERIAL NUMBER - FROM THE LABEL TO PROTECT YOUR WARRANTY ALWAYS USE GENUINE HI-FORCE PARTS.



| REVISION | |
|----------|------|
| 1 | 4151 |
| 2 | 4256 |
| 3 | 4257 |
| 4 | |
| 5 | |
| 6 | |
| 7 | |
| 8 | |
| 9 | |
| 10 | |
| 11 | |
| 12 | |
| 13 | |
| 14 | |
| 15 | |
| 16 | |
| 17 | |
| 18 | |
| 19 | |
| 20 | |

| TENSIONER SERIES | QUICKFIT PULLER | SERVICE KIT |
|------------------|-----------------|-------------|
| STU1 | QFP1 | QFP12TP1-K |
| STU2 | QFP2 | |
| STU3 | QFP3 | QFP34TP1-K |
| STU4 | QFP4 | QFP5TP1-K |
| STU5 | QFP5 | |
| STU6 | QFP6 | QFP67TP1-K |
| STU7 | QFP7 | |

ITEMS 1 AND 2 NOT AVAILABLE AS SPARE PARTS
ITEMS 3-14 ARE INCLUDED IN SERVICE KIT

IMPORTANT
WHEN ORDERING SPARES YOU MUST STATE THE FULL PART NUMBER AND THE
PRODUCT SERIAL NUMBER - FROM THE LABEL
TO PROTECT YOUR WARRANTY ALWAYS USE GENUINE HI-FORCE PARTS.