

|           |                  |               |      |
|-----------|------------------|---------------|------|
| #9A 'BC " | D5FHBI A 69F     | 8 9G7 F-ÐH€ B | E HM |
| %         | 6H7 \$+*7 ?\$\$' | 7 M@B 8 9F    | %    |
| &         | 6H7 \$+*D?\$\$(' | D-GHC B       | %    |
| '         | 6G(&+, !A %&     | 9M96C @H      | &    |
| (         | GHA 7 (          | B-ÐD@9        | %    |
| )         | GH 7 (           | 7 C I D@9F    | %    |
| *         | GH-B %D(!7       | 5 8 5 DH9F    | &    |
| +         | L                | G95 @? #H     | %    |

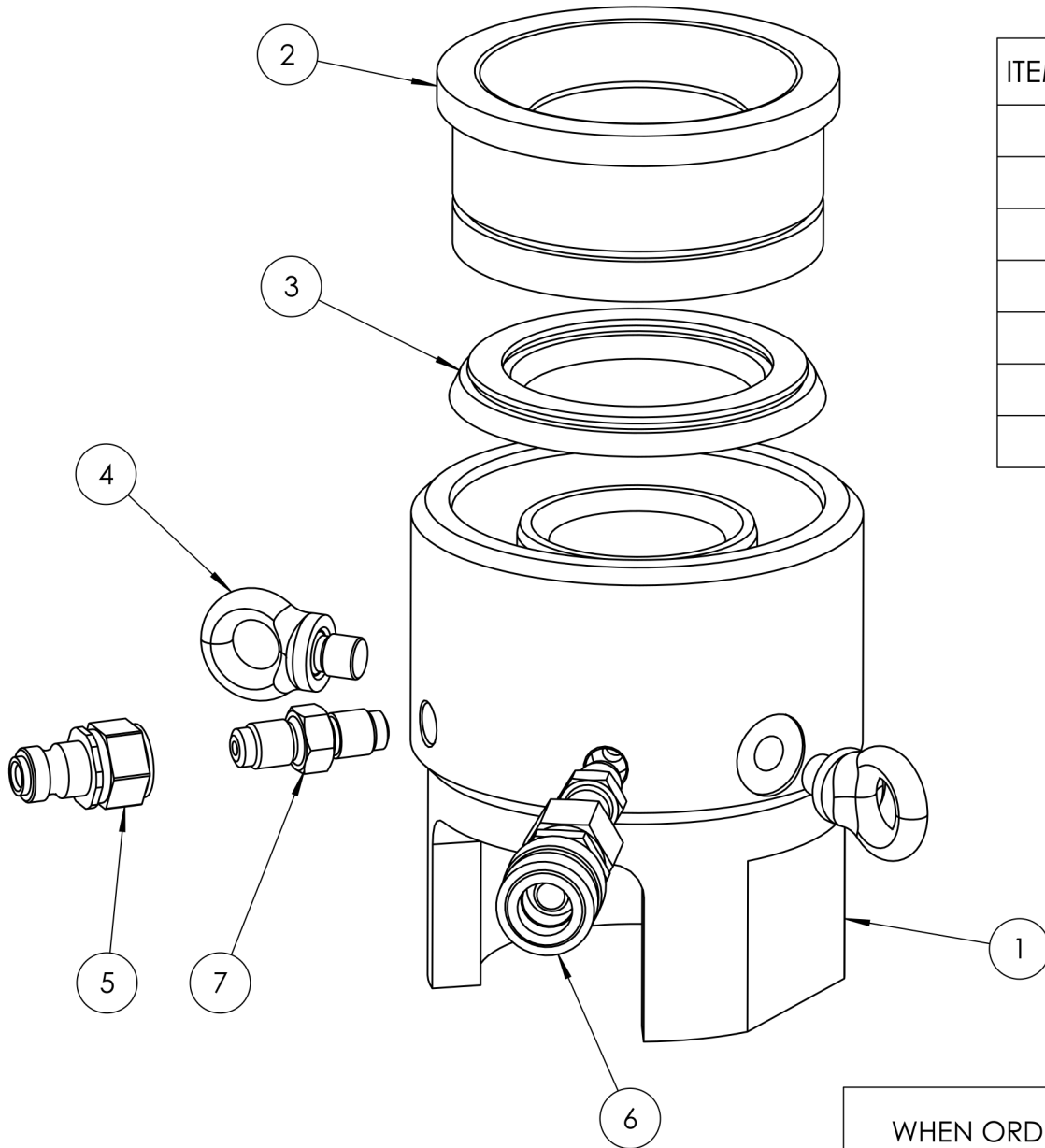
F9J -€C B

|         |
|---------|
| %       |
| & * - * |
| ! (&'   |
| (       |
| )       |
| *       |
| +       |
| ,       |
| -       |
| %\$     |
| %%      |
| %&      |
| %       |
| %{      |
| %9      |
| %*      |
| %+      |
| %       |
| %-      |
| &\$     |

BC H9: #9A GA 5F?98 'fi fi5J 5 -@5 6@9  
B ? #GH (@7 HD&!?' C B @M

**A DC FH5BH**

K < 9B 'C F8 9F-B; 'GD5F9G'MC I 'A I GHG-BH9'K 9: I @D5FHBI A 69F '5B 8 'K 9'  
DFC 8I 7HG9F-5@BI A 69F '! : FCA 'K 9'@5 69@  
HC 'DFC H97 HMC I F'K 5FF5BH M5 @K 5 MG I G9; 9BI -B 9'< #: C F7 9'D5FHG"



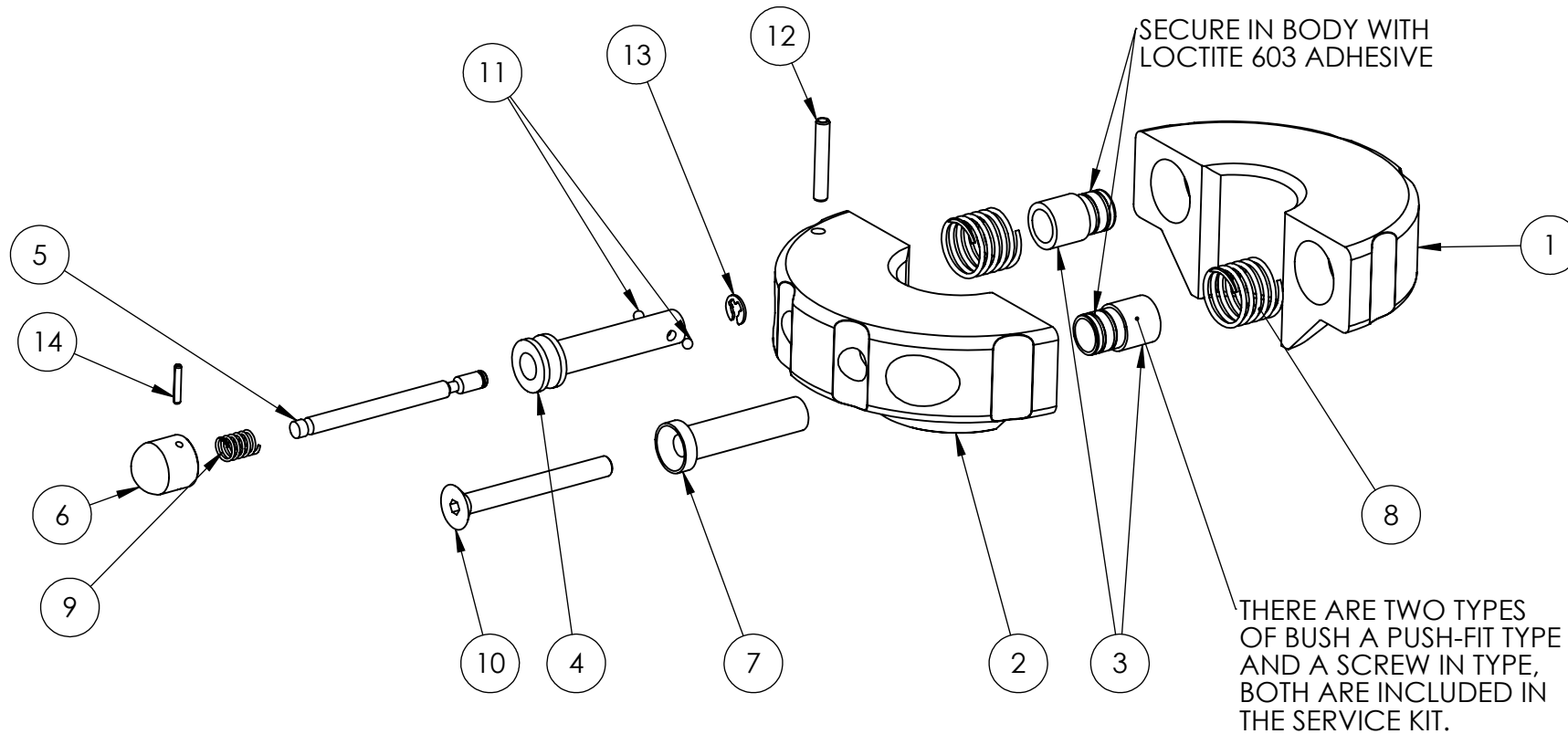
| ITEM NO. | PART NUMBER | DESCRIPTION  | QTY. |
|----------|-------------|--------------|------|
| 1        | BTC076CK002 | CYLINDER     | 1    |
| 2        | BTC076PK002 | PISTON       | 1    |
| 3        | X           | PISTON SEAL. | 1    |
| 4        | BS4278-M12  | EYEBOLT      | 2    |
| 5        | STMC4       | NIPPLE       | 1    |
| 6        | STFC4       | COUPLER      | 1    |
| 7        | STN1P4-C    | ADAPTER      | 2    |

NOTE: ITEMS MARKED 'X' AVAILABLE  
IN KIT STU4LCTP1-K ONLY

REVISION

|    |      |
|----|------|
| 1  |      |
| 2  | 2696 |
| 3  |      |
| 4  |      |
| 5  |      |
| 6  |      |
| 7  |      |
| 8  |      |
| 9  |      |
| 10 |      |
| 11 |      |
| 12 |      |
| 13 |      |
| 14 |      |
| 15 |      |
| 16 |      |
| 17 |      |
| 18 |      |
| 19 |      |
| 20 |      |

**IMPORTANT**  
WHEN ORDERING SPARES YOU MUST STATE THE FULL PART NUMBER AND THE  
PRODUCT SERIAL NUMBER - FROM THE LABEL  
TO PROTECT YOUR WARRANTY ALWAYS USE GENUINE HI-FORCE PARTS.



| REVISION |      |
|----------|------|
| 1        | 4151 |
| 2        | 4256 |
| 3        | 4257 |
| 4        |      |
| 5        |      |
| 6        |      |
| 7        |      |
| 8        |      |
| 9        |      |
| 10       |      |
| 11       |      |
| 12       |      |
| 13       |      |
| 14       |      |
| 15       |      |
| 16       |      |
| 17       |      |
| 18       |      |
| 19       |      |
| 20       |      |

| TENSIONER SERIES | QUICKFIT PULLER | SERVICE KIT |
|------------------|-----------------|-------------|
| STU1             | QFP1            | QFP12TP1-K  |
| STU2             | QFP2            |             |
| STU3             | QFP3            | QFP34TP1-K  |
| STU4             | QFP4            | QFP5TP1-K   |
| STU5             | QFP5            |             |
| STU6             | QFP6            | QFP67TP1-K  |
| STU7             | QFP7            |             |

ITEMS 1 AND 2 NOT AVAILABLE AS SPARE PARTS  
ITEMS 3-14 ARE INCLUDED IN SERVICE KIT

**IMPORTANT**

WHEN ORDERING SPARES YOU MUST STATE THE FULL PART NUMBER AND THE PRODUCT SERIAL NUMBER - FROM THE LABEL TO PROTECT YOUR WARRANTY ALWAYS USE GENUINE HI-FORCE PARTS.