

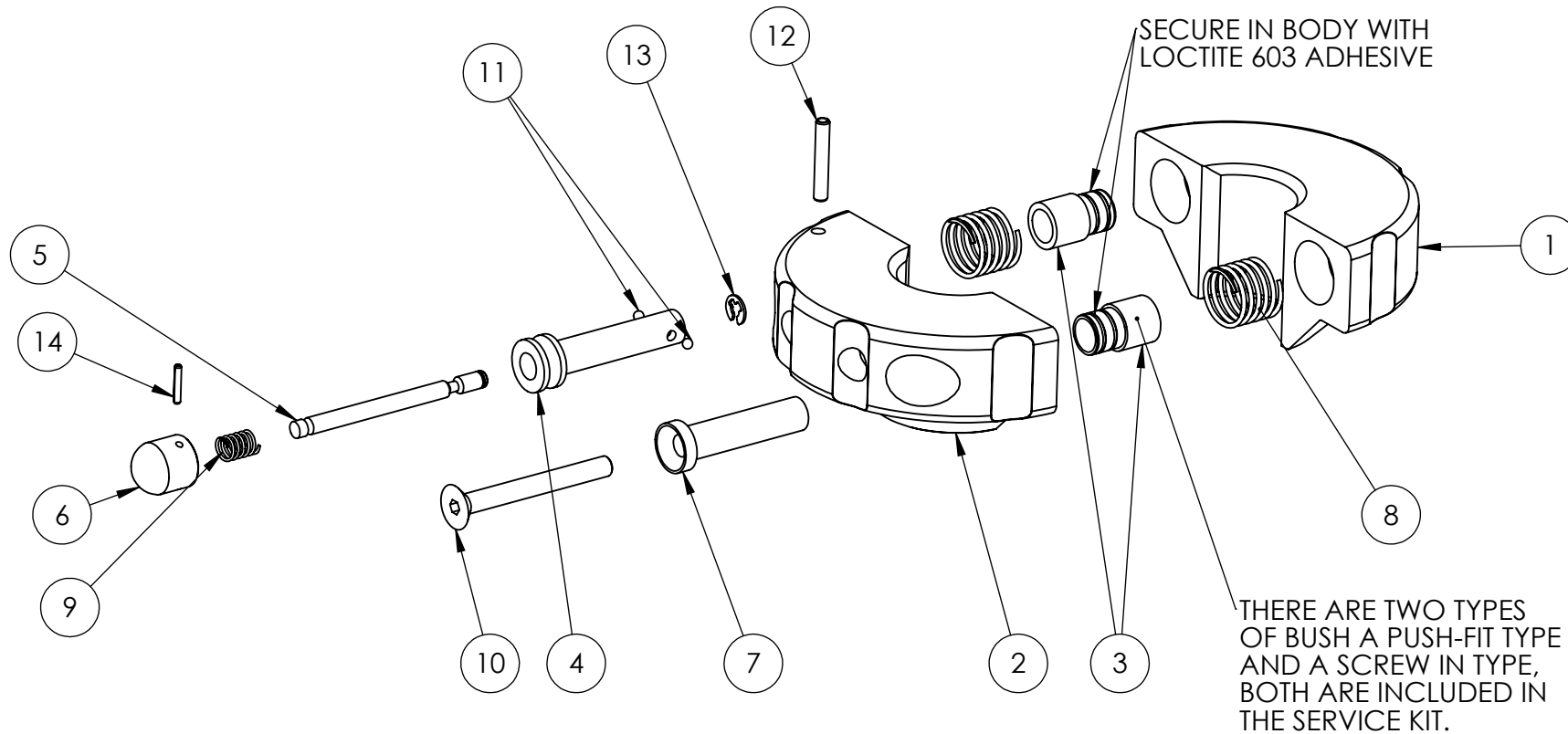
ITEM NO.	PART NUMBER	DESCRIPTION	QTY.	SPARE PART AVAILABILITY	SERVICE KIT CONTENTS
1	BTC253CT002	CYLINDER	1	X	
2	BTC253PT002	PISTON	1	X	
3	BS4278-M12	EYEBOLT	2		
4	STMC4	NIPPLE	1		
5	STFC4	COUPLER	1		
6	STN1P4-C	ADAPTER	2		
7	BTC253ST002	OUTER SEAL	1	X	✓
8	BTC253ST003	INNER SEAL	1	X	✓

REVISION	
1	
2	5903
3	
4	
5	
6	
7	
8	
9	
10	
11	
12	
13	
14	
15	
16	
17	
18	
19	
20	

ALL PARTS AVAILABLE TO ORDER AS AN INDIVIDUAL SPARE PART UNLESS MARKED "X"

PARTS MARKED ✓ ARE ONLY AVAILABLE IN SERVICE KIT STU7LCTP2-K

IMPORTANT
WHEN ORDERING SPARES YOU MUST STATE THE FULL PART NUMBER AND THE PRODUCT SERIAL NUMBER - FROM THE LABEL TO PROTECT YOUR WARRANTY ALWAYS USE GENUINE HI-FORCE PARTS.



REVISION	
1	4151
2	4256
3	4257
4	
5	
6	
7	
8	
9	
10	
11	
12	
13	
14	
15	
16	
17	
18	
19	
20	

TENSIONER SERIES	QUICKFIT PULLER	SERVICE KIT
STU1	QFP1	QFP12TP1-K
STU2	QFP2	
STU3	QFP3	QFP34TP1-K
STU4	QFP4	QFP5TP1-K
STU5	QFP5	
STU6	QFP6	QFP67TP1-K
STU7	QFP7	

ITEMS 1 AND 2 NOT AVAILABLE AS SPARE PARTS
ITEMS 3-14 ARE INCLUDED IN SERVICE KIT

IMPORTANT
WHEN ORDERING SPARES YOU MUST STATE THE FULL PART NUMBER AND THE PRODUCT SERIAL NUMBER - FROM THE LABEL
TO PROTECT YOUR WARRANTY ALWAYS USE GENUINE HI-FORCE PARTS.