

▼ TFA15TI



## TFA Series

**WIND TURBINE TOWER  
FLANGE ALIGNMENT TOOLS**

Hook Force:

**40 - 270 kN**

Aligning Distance:

**42 - 65 mm**

### TFA4TM Mechanical Tool Kit



- 1 x TFA4TM Tool
- 1 x Torque Wrench
- 1 x Moulded Plastic Carry Case

### TFA12TE / TFA15TE External Hydraulic Tool Kit



- 1 x TFA12TE or TFA15TE Tool
- 1 x Safety Lanyard
- 1 x Aluminium Carry Case with Protective Foam Inserts

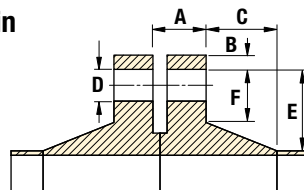
### TFA12TI / TFA15TI Internal Hydraulic Tool Kit



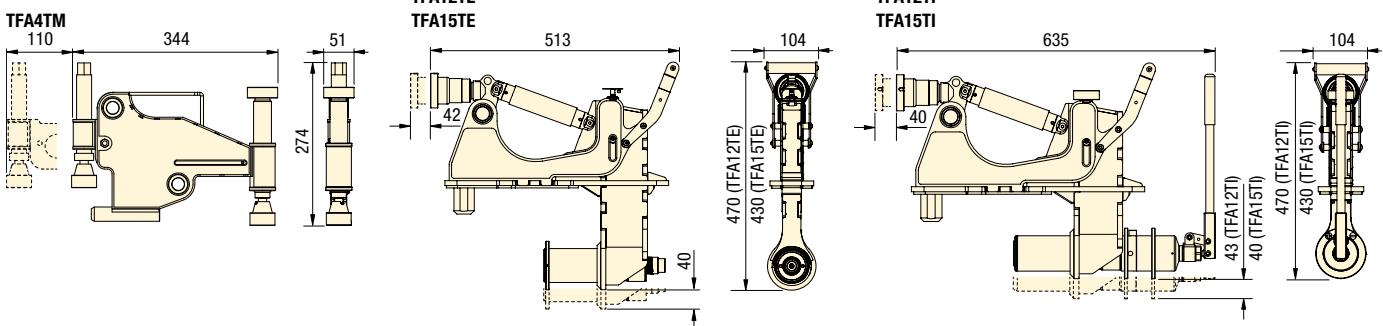
- 1 x TFA12TI or TFA15TI Tool
- 1 x Aluminium Carry Case with Protective Foam Inserts

The TFA Wind Turbine Tower Flange Alignment Tools have been developed to aid the alignment of large flanges on the inside of wind turbine towers during their assembly or installation.

- Assists in aligning / de-ovalizing large internal pipe flanges
- Helps resolve bolt-hole misalignment within tower sections of wind turbine towers
- Can be used both on and offshore.



**Flange Dimensions**



Model Number Tool Kit	Type*	Maximum Hook Force Per Tool (kN)	Maximum Aligning Distance (mm)	Maximum Operating Pressure (bar)	Flange Dimensions (mm)						Tool Weight (kg)	Kit Weight (kg)	Box/Case Dimensions (mm)	Tool Number
					A	B	C	D min	E	F min				
TFA4TMSTD	M	40	42	-	36-135	0-55	0-231	25	0-105	24	8,1	18,0	600x370x200	TFA4TM
TFA12TEMIN	H	240	65	510	129-178	110-241	0-167	45	87-125	62	19,3	28,4	640x540x165	TFA12TE
TFA15TEMIN	H	270	65	700	89-138	110-241	0-167	45	87-125	62	18,9	28,0	640x540x165	TFA15TE
TFA12TIMIN	H	240	65	-	129-178	113-241	0-167	45	87-125	62	21,9	31,0	585x900x160	TFA12TI
TFA15TIMIN	H	270	65	-	89-138	113-241	0-167	45	87-125	62	21,5	30,6	585x900x160	TFA15TI

\* M = Mechanical  
H = Hydraulic