

ITEM NO.	PART NUMBER	DESCRIPTION	QTY.	SPARE PARTS
1	<b>HDA20015TL</b>	TOUGHLIFT CYLINDER ASSEMBLY	1	
2	VFA006NV001	LOWERING VALVE	1	
3	FPC010NB001	3/8" BSP CONE MALE - 1/4" BSP CONE MALE ADAPTOR	1	
4	FPC010DN001	MALE STUD ELBOW	2	
5	FPC006YB003	MALE STUD COUPLER	1	
6	FPC010QB004	10mm BANJO	1	
7	HOC010PS005	PRE-BENT TUBE ASSEMBLY	1	
8	WAC016KD001	DOWTY WASHER	2	
9	FPC010YB001	STUD COUPLING	1	
10	HOC010PS006	FULL BORE PIPE	1	
11	AAN000HP012	TOUGHLIFT NAME PLATE	1	X
12	FAS002HZ001	NO.4 x 3/16 HAMMER DRIVE SCREW	2	
13	LAC000KC004	200TCONVERSION LABEL	1	
14	<b>TLA100-200T</b>	TOUGHLIFT TROLLEY ASSEMBLY	1	
15	BLC020PC040	SOCKET CAP HD SCREW	4	
16	BLC016ND040	SOCKET CAP HD SCREW	8	
17	ADC200BC009	BASE PLATE	1	
18	ADC200BC002	INTERMEDIATE PLATE	1	

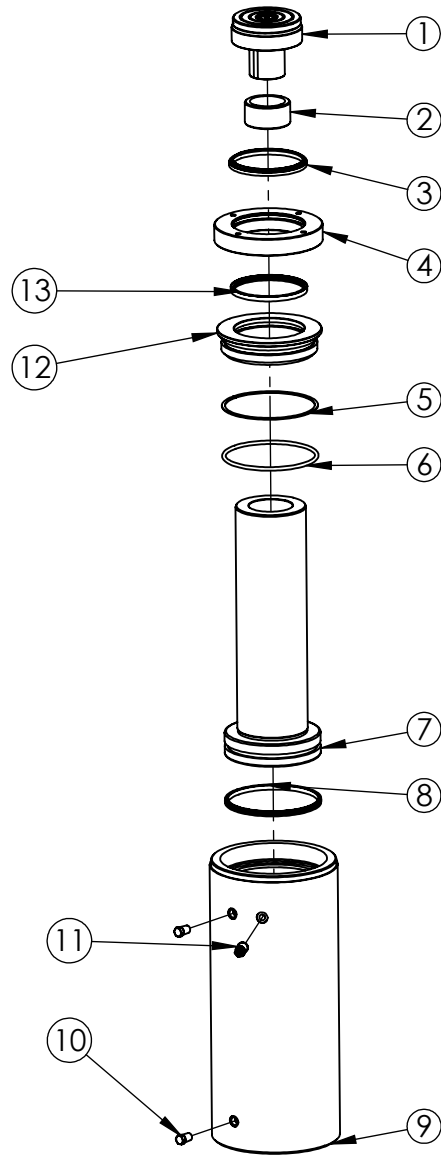
REVISION	
1	
2	5588
3	6285
4	
5	
6	
7	
8	
9	
10	
11	
12	
13	
14	
15	
16	
17	
18	
19	
20	

**NOTE:**

- ALL PARTS ARE AVAILABLE TO BE ORDERED AS SPARE PARTS, UNLESS MARKED WITH 'X'
- FOR FURTHER DETAILS ON TLA100-200T, PLEASE REFER TO TLA100-200T EVD
- FOR FURTHER DETAILS ON HDA20015TL, PLEASE REFER TO HDA20015TL EVD

**IMPORTANT**

WHEN ORDERING SPARES YOU MUST STATE THE FULL PART NUMBER AND THE PRODUCT SERIAL NUMBER - FROM THE LABEL TO PROTECT YOUR WARRANTY ALWAYS USE GENUINE HI-FORCE PARTS.



ITEM NO.	PART NUMBER	DESCRIPTION	QTY.	SERVICE PARTS
1	TLS200	TILTING SADDLE ASSEMBLY	1	
2	ADC200PA001	ADAPTOR	1	
3	SEC140XE002	AB01 HPU-R95 FLEXIBLE 3 STEP WIPER	1	✓
4	SRC140WQ002	STOP RING	1	
5	SEC190BA001	BACKUP RING - O.D. 190.50, I.D. 178.50 mm, H. 2 mm, PTFE	1	✓
6	SEC190RA001	O-RING - I.D. 177.17 mm, C.S. 6.99 mm, NITRILE 70	1	✓
7	PRC190DP004	PISTON	1	X
8	SEC190GA001	PISTON SEAL - O.D. 190.50 mm, I.D. 178.51 mm, H. 9.30 mm, NITRILE/NYLON 70 SHORE	1	✓
9	CBC190AP004	CYLINDER	1	X
10	FPC010PN001	3/8 NPT BLANKING PLUG	2	
11	VRA001AF002	RELIEF VALVE	1	
12	SSC190EA001	SEAL RETAINER	1	
13	SEC140GE001	ROD SEAL - O.D. 151.69 mm, I.D. 139.65 mm, H. 9.30 mm, NITRILE/NYLON 70 SHORE	1	✓

REVISION

1	4907
2	5356
3	5912
4	6285
5	
6	
7	
8	
9	
10	
11	
12	
13	
14	
15	
16	
17	
18	
19	
20	

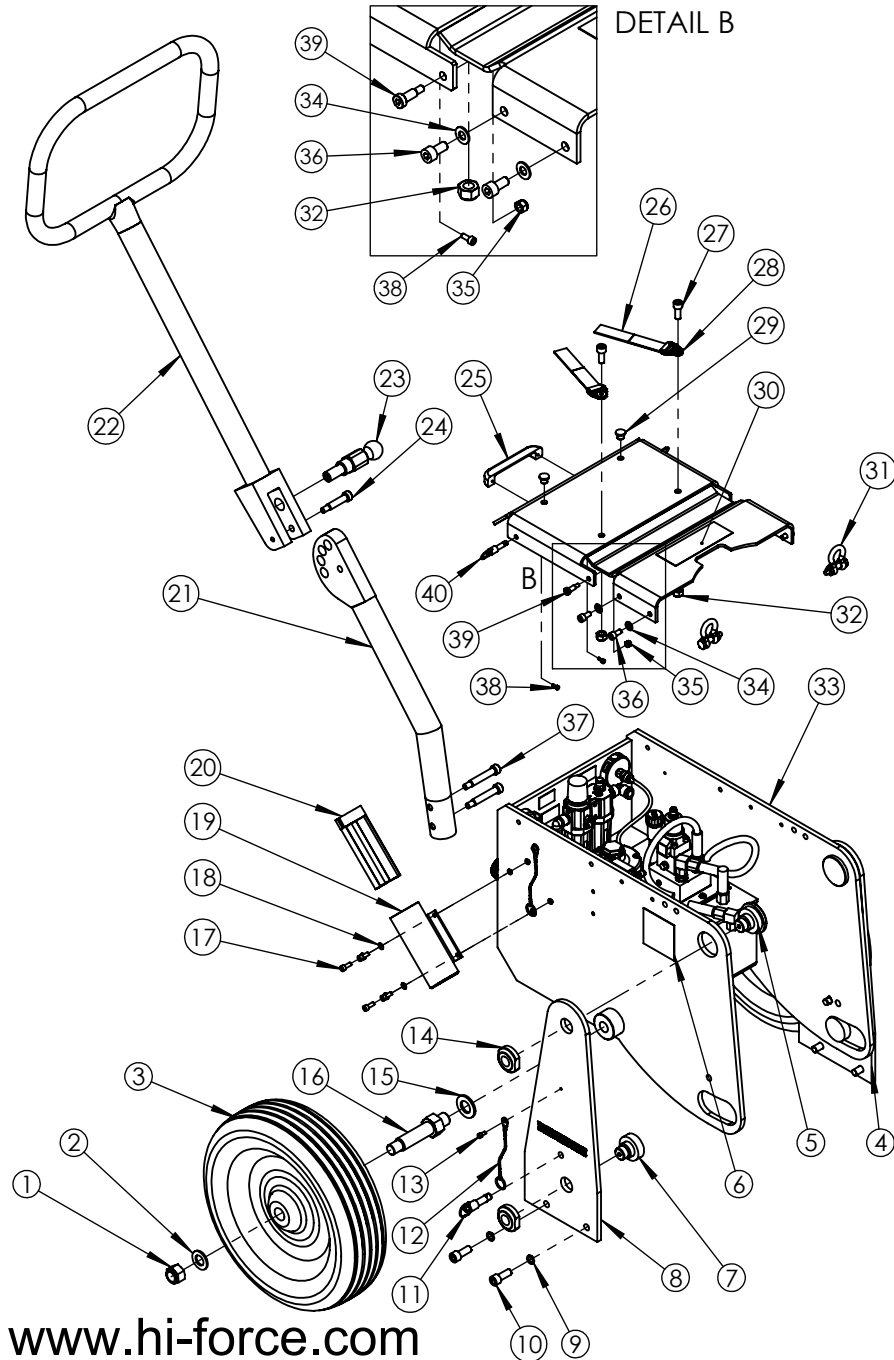
NOTE:

- ALL PARTS ARE AVAILABLE TO BE ORDERED AS SPARE PARTS, UNLESS MARKED WITH X

- ALL PARTS MARKED ✓ ARE AVAILABLE SERVICEABLE PARTS FOUND IN: SERVICE KIT HDA200TP1-K

**IMPORTANT**

WHEN ORDERING SPARES YOU MUST STATE THE FULL PART NUMBER AND THE PRODUCT SERIAL NUMBER - FROM THE LABEL TO PROTECT YOUR WARRANTY ALWAYS USE GENUINE HI-FORCE PARTS.

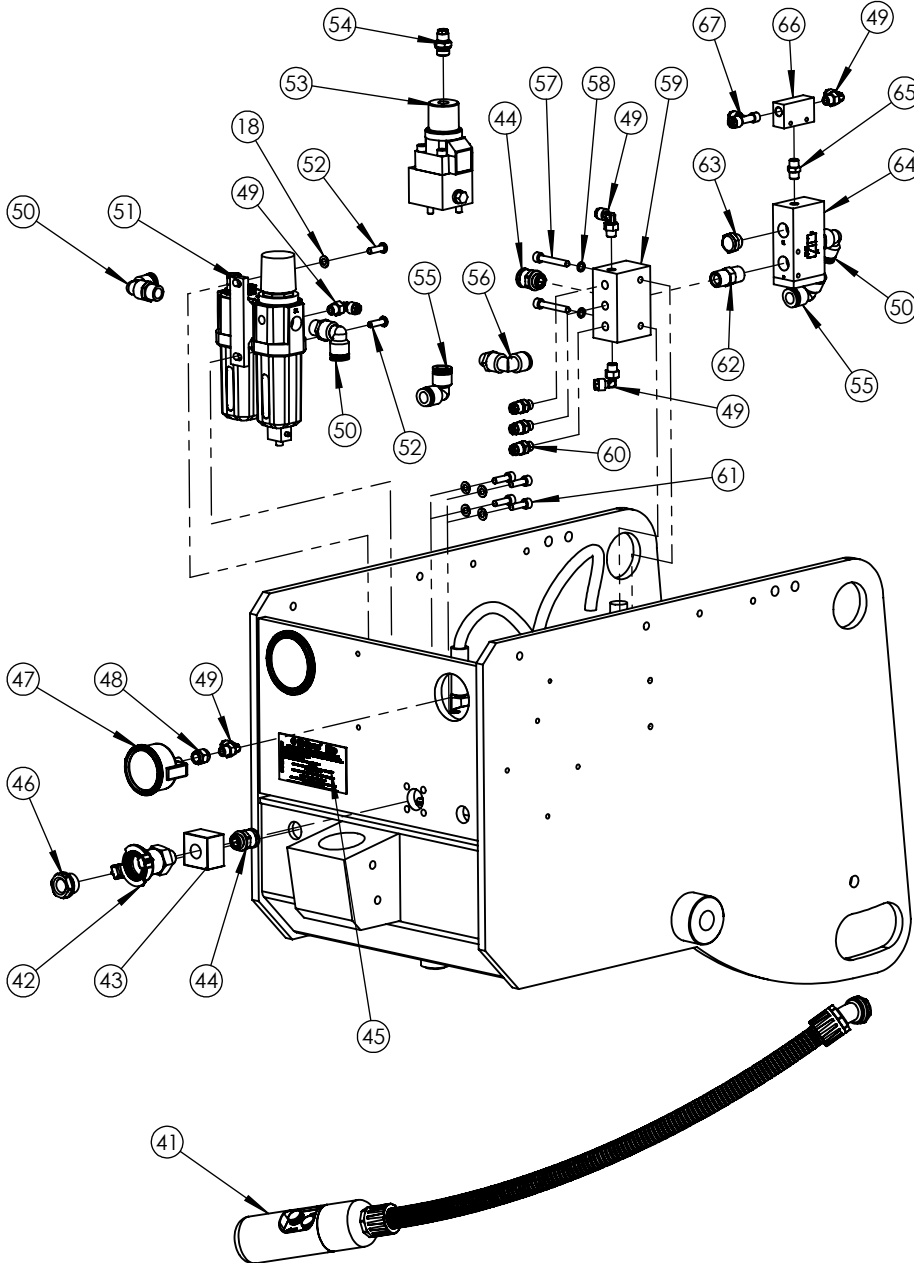


ITEM NO.	PART NUMBER	DESCRIPTION	QTY.	SPARE PARTS	SERVICE PARTS
1	NUC020PC000	M20 NYLOK NUT	2		
2	WAC020AB000	M20 PL WASHER	2		
3	BSC025WW001	WHEEL	2		
4	SFC190JE003	LH PIVOT PLATE	1		
5	SFC060RA001	UPPER PIN	2		
6	LAC000KC003	LIFTING POINT LABEL	2		
7	SFC050RA001	LOWER PIN	2		
8	SFC190JE002	RH PIVOT PLATE	1		
9	WAC012BB000	M12 SPRING WASHER	4		
10	BLC012MD030	M12 X 30mm CAP HEAD SCREW	4		
11	PLC003AA001	LOCK PIN 12mm DIA X 25mm	2		
12	PLC000AA001	LOCK PIN CABLE 150mm LONG	4		
13	BLC005HD010	M5 x 10 HEX SOCKET CAP HEAD SCREW	4		
14	NUC024LS001	NUT	4		
15	WAC024AB000	M24 PLAIN WASHER	2		
16	PCC025AJ001	STUB AXLE	2		
17	BLC006JD016	M6 x 16 HEX SOCKET CAP HEAD SCREW	8		
18	WAC006AF000	M6 ZINC WASHER	14		
19	SFC058TB001	PENDANT HOLDER	1		
20	ANC001RV001	PENDANT PADS	1		
21	SFA048TF002	200T HANDLE BASE ASSEMBLY	1		
22	SFA048TF001	TOUGHLIFT HANDLE	1		
23	HLA035KM001	HANDLE LOCKING PIN	1		
24	BLC010LS045	SHOULDER SCREW M10 X 45mm WITH 16mm THREAD	1		
25	HLC022PM001	HANDLE	1		
26	ANC025NS001	PENDANT HOSE STRAP	2		
27	BLC010LD025	M10 X 25mm CAP HEAD SCREW	2		
28	ANC025PC001	ANCHOR BASE PLATE	2		
29	ANC011PP001	CLOSURE PLUG	2		
30	LAC000KC001	SAFETY WARNING LABEL	1		
31	ANC010SE001	0.75t WLL GREEN PIN STANDARD BOW SHACKLE WITH SAFETY BOLT	2		
32	NUC010LC000	M10 NYLON NUT	2		
33	SFS348JG001	FRAME WELD ASSY	1	X	
34	WAC008AB000	M8 PLAIN WASHER	4		
35	NUC006JC000	M6 NYLON NUT	6		
36	BLC008KD016	M8 x 16 mm HEX SOCKET CAP HEAD SCREW	4		
37	BLC010LS060	SHOULDER SCREW M10 X 60mm WITH 16mm THREAD	2		
38	BLC004JD010	M4 X 10mm CAP HEAD SCREW	2		
39	BLC006JS016	SHOULDER SCREW M6 x 16mm WITH 11mm THREAD	2		
40	PLC002AA001	LOCK PIN 8mm DIA X 20mm	2		

REVISION

1	
2	5588
3	6285
4	
5	
6	
7	
8	
9	
10	
11	
12	
13	
14	
15	
16	
17	
18	
19	
20	

**IMPORTANT**  
WHEN ORDERING SPARES YOU MUST STATE THE FULL PART NUMBER AND THE PRODUCT SERIAL NUMBER - FROM THE LABEL TO PROTECT YOUR WARRANTY ALWAYS USE GENUINE HI-FORCE PARTS.



ITEM NO.	PART NUMBER	DESCRIPTION	QTY.	SPARE PARTS	SERVICE PARTS
41	VFA003BH003	AIR PENDANT ASSEMBLY	1		
42	FPC010LB001	3/8" BSPP CLAW COUPLING	1		
43	VFC010BN003	AIR INLET BLOCK	1		
44	FPC012WS001	STUD 3/8 BSP TO 12MM PUSH	2		
45	LAC000KC002	GENERAL MAINTENANCE LABEL	1		
46	BLC021YT010	SIGHT GLASS HGF.13 BLACK OIL LEVEL INDICATOR	1		
47	HG160T	AIR PRESSURE GAUGE	1		
48	FPC003AC001	1/8" FEMALE SOCKET	1		
49	FPC010DM001	STUD ELBOW (AIR)	5		
50	FPC010DS001	CONNECTOR	3		
51	MCC000AF005	FILTER/REGULATOR/LUBRICATOR UNIT	1		
52	BLC006JH020	M6 x 20 SOCKET BUTTON HEAD SCREW	2		
53	VFC000CD003	4/2 VALVE	1		
54	FPC006YC001	STUD COUPLING (AIR)	1		
55	FPC012DS001	PUSH IN ELBOW CONNECTOR 12mm - 12mm	2		
56	FPC006DS001	PUSH IN SWIVEL ELBOW 1/4" BSPT - 12mm	1		
57	BLC006JC040	M6 X 40mm CAP HEAD SCREW	2		
58	WAC006BC001	M6 SPRING ZINC WASHER (SQUARE SECTION)	10		
59	VFC010BN001	MANIFOLD BLOCK	1		
60	FPC003YC001	STUD COUPLING (AIR)	3		
61	BLC006JD020	M6 x 20 mm HEX SOCKET CAP HEAD SCREW	4		
62	FPC010AN003	3/8" BSPT MALE - 3/8" BSPT MALE ADAPTOR	1		
63	FFC010RK001	SILENCER	1		
64	VFA013CD002	PILOT OPERATED VALVE	1		
65	FPC003NC001	NIPPLE	1		
66	VFA003CS002	SHUTTLE VALVE	1		
67	FPC010UM001	TEE	1		

REVISION

1	
2	5588
3	6285
4	
5	
6	
7	
8	
9	
10	
11	
12	
13	
14	
15	
16	
17	
18	
19	
20	

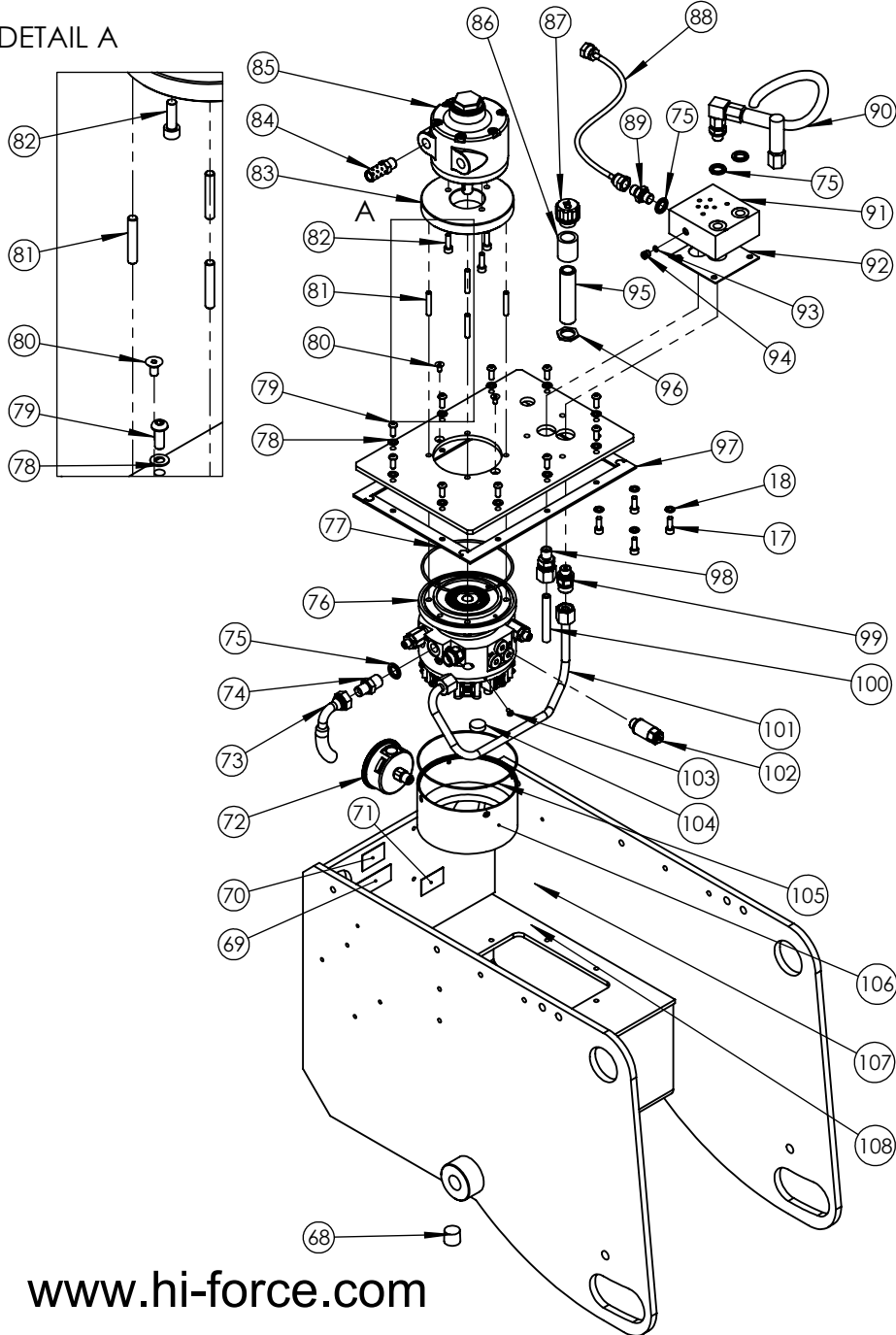
NOTE:

- ALL PARTS ARE AVAILABLE TO BE ORDERED AS SPARE PARTS, UNLESS MARKED WITH X
- FOR SUB ASSEMBLIES (ITEMS NO.S 41, 76) REFER TO THEIR INDIVIDUAL EVD'S.

**IMPORTANT**

WHEN ORDERING SPARES YOU MUST STATE THE FULL PART NUMBER AND THE PRODUCT SERIAL NUMBER - FROM THE LABEL TO PROTECT YOUR WARRANTY ALWAYS USE GENUINE HI-FORCE PARTS.

DETAIL A



ITEM NO.	PART NUMBER	DESCRIPTION	QTY.	SPARE PARTS	SERVICE PARTS
68	FPC013PC001	1/2" BSP PLUG - HEX SOCKET	1		
69	AAN000HP009	GENERAL MAINTENANCE LABEL	1		
70	AAN000HP010	AIR REGULATOR NAME PLATE	1		
71	AAN000HP011	AIR LUBRICATOR NAME PLATE	1		
72	PG2G	PRESSURE GAUGE	1		
73	HOC010AB004	RETURN HOSE	1		
74	FPC010NB001	3/8" BSP CONE MALE - 1/4" BSP CONE MALE ADAPTOR	1		
75	WAC007HD000	1/4" BSP SELF CENTERING BONDED WASHER	6		
76	<b>PMA012DT001</b>	TPA PUMP HEART	1		
77	SEC119RF001	O-RING I.D. 75.57MM, CS 5.33MM 70 SHORE (BS157)	1		
78	WAC006EB000	M6 WASHER	10		
79	BLC006JH016	M6 x 16 BUTTON HEAD SOCKET SCREW	10		
80	BLC005HF010	SOCKET CSK SCREW M5 x 10	2		
81	BLC006ST000	M6X35MM ENGINEERING STUD	4		
82	BLC006FD020	1/4 x 3/4 UNC SOCKET CAP HEAD SCREW	3		
83	MCC200MB001	FLANGE	1		
84	HOC006KS001	MUFFLER	1		
85	AM6	AIR MOTOR	1		
86	FPC020AM002	BARREL	1		
87	BPC020SP001	FILLER	1		
88	HOC002GB001	GAUGE HOSE 1/4" BSP CONE X 1/4" BSP GAUGE	1		
89	FPC006QB003	ADAPTOR	1		
90	HOC006AB003	HIGH PRESSURE HOSE	2		
91	VFC010RD010	SUB PLATE	1		
92	SEC001KF001	SUB PLATE GASKET	1		
93	SEC008RA002	O-RING - I.D. 5.0 mm C.S. 1.5 mm, NITRILE 70	3		
94	FPC008PM003	PLUG	3		
95	FPC020AM001	EXTENSION TUBE	1		
96	NUC020LB000	LOCK NUT	1		
97	SEC002KT011	TANK GASKET	1		
98	FPC006YB003	MALE STUD COUPLER	1		
99	FPC006YW001	COUPLING BODY	1		
100	HOC006PS020	TUBE	1		
101	HOC010PS003	PRE-BENT TUBE ASSEMBLY	1		
102	VRA001AF002	RELIEF VALVE	1		
103	BLC004-H008	M4 X 8mm, HEX SOCKET BUTTON HEAD SCREW	4		
104	DCSF00328	DOUBLE SIDED MAGNET	1		
105	SEC126RA001	O RING	1		
106	FFC125AZ001	FILTER ADAPTOR	1		
107	MCC000AP001	POLYURETHANE TUBE 6mm x 4mm BLACK	1		
108	HOC012WP001	O.D. 12mm I.D. 10mm FLEXIBLE PLASTIC HOSE	1		

REVISION

1	
2	5588
<b>3</b>	<b>6285</b>
4	
5	
6	
7	
8	
9	
10	
11	
12	
13	
14	
15	
16	
17	
18	
19	
20	