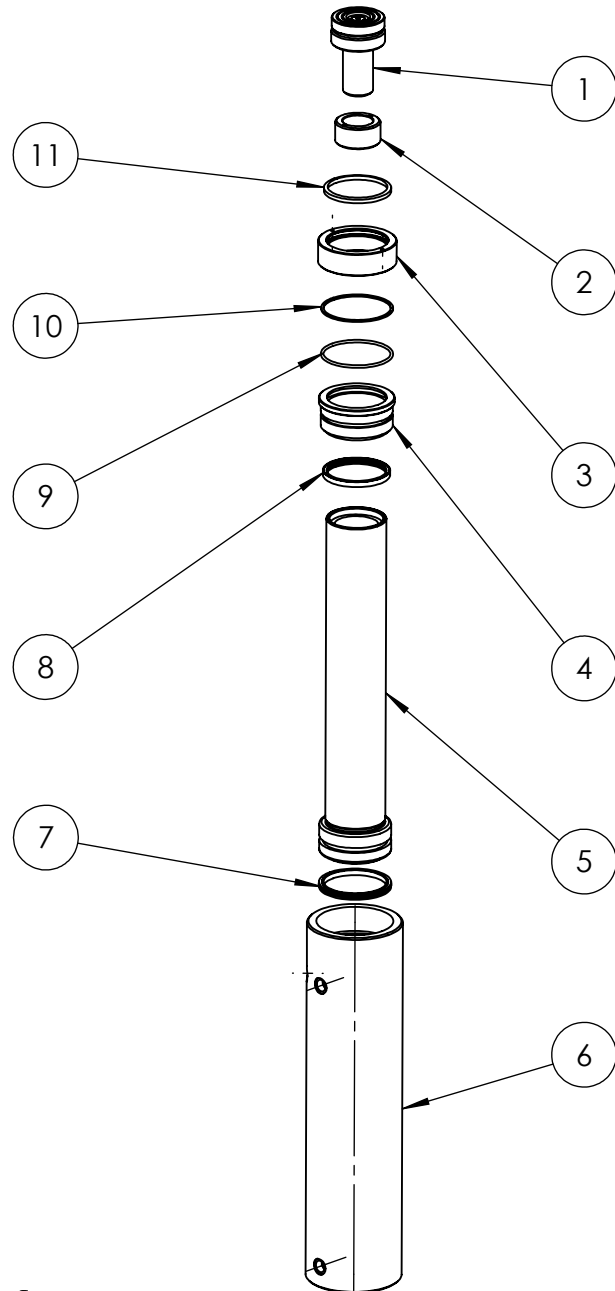


ITEM NO.	PART NUMBER	DESCRIPTION	QTY.	SERVICE PARTS
1	HDA5014	50T CYLINDER	1	
2	ADC050BC002	INTERMEDIATE PLATE	1	X
3	ADC050BC001	BASE PLATE	1	X
4	FPC010DN001	MALE STUD ELBOW	1	
5	FPC010YB001	STUD COUPLING	1	
6	VFA006NV001	LOWERING VALVE	1	
7	WAC010HD000	3/8" BSP DOWTY WASHER	2	
8	FPC010NB001	REDUCER	1	
9	HOC006BS001	PRE BENT PIPE	1	
10	FPC006DN001	COMPRESSION ELBOW	1	
11	WAC007HD000	1/4" BSP SELF CENTERING BONDED WASHER	1	
12	FAS006GJ010	1/4" BSP HEX HEAD BLANKING PLUG	1	
13	BLC012MD020	M12 X 20mm, HEX SOCKET CAP HEAD SCREW	12	
14	HOC010BS001	FULL BORE PIPE	1	
15	FPC006QB002	6MM BANJO	1	
16	VRA001AF002	RELIEF VALVE	1	
17	FPC010FZ003	ELBOW FITTING	1	
18	HF16	ELBOW, 3/8" NPT FEMALE TO 3/8" NPT MALE	1	

NOTE:

- ALL PARTS ARE AVAILABLE TO BE ORDERED AS SPARE PARTS, UNLESS MARKED WITH X
- FOR FURTHER DETAILS ON **HDA5014**, PLEASE REFER TO HDA5014 EVD

IMPORTANT
WHEN ORDERING SPARES YOU MUST STATE THE FULL PART NUMBER AND THE PRODUCT SERIAL NUMBER - FROM THE LABEL TO PROTECT YOUR WARRANTY ALWAYS USE GENUINE HI-FORCE PARTS.



ITEM NO.	PART NUMBER	DESCRIPTION	QTY.	SERVICE PARTS
1	TLS50	SADDLE ASSEMBLY	1	
2	ADC050PA001	ADAPTOR	1	
3	SRC079WJ001	STOP RING	1	
4	SSC095EA001	SEAL RETAINER	1	
5	PRC095VP001	PISTON	1	X
6	CBC095AP002	CYLINDER	1	X
7	SEC095GA001	PISTON SEAL	1	✓
8	SEC079GE001	ROD SEAL	1	✓
9	SEC095RA001	O-RING	1	✓
10	SEC095BA001	BACK UP RING	1	✓
11	SEC079XE001	WIPER	1	✓

REVISION

1 5731

2

3

4

5

6

7

8

9

10

11

12

13

14

15

16

17

18

19

20

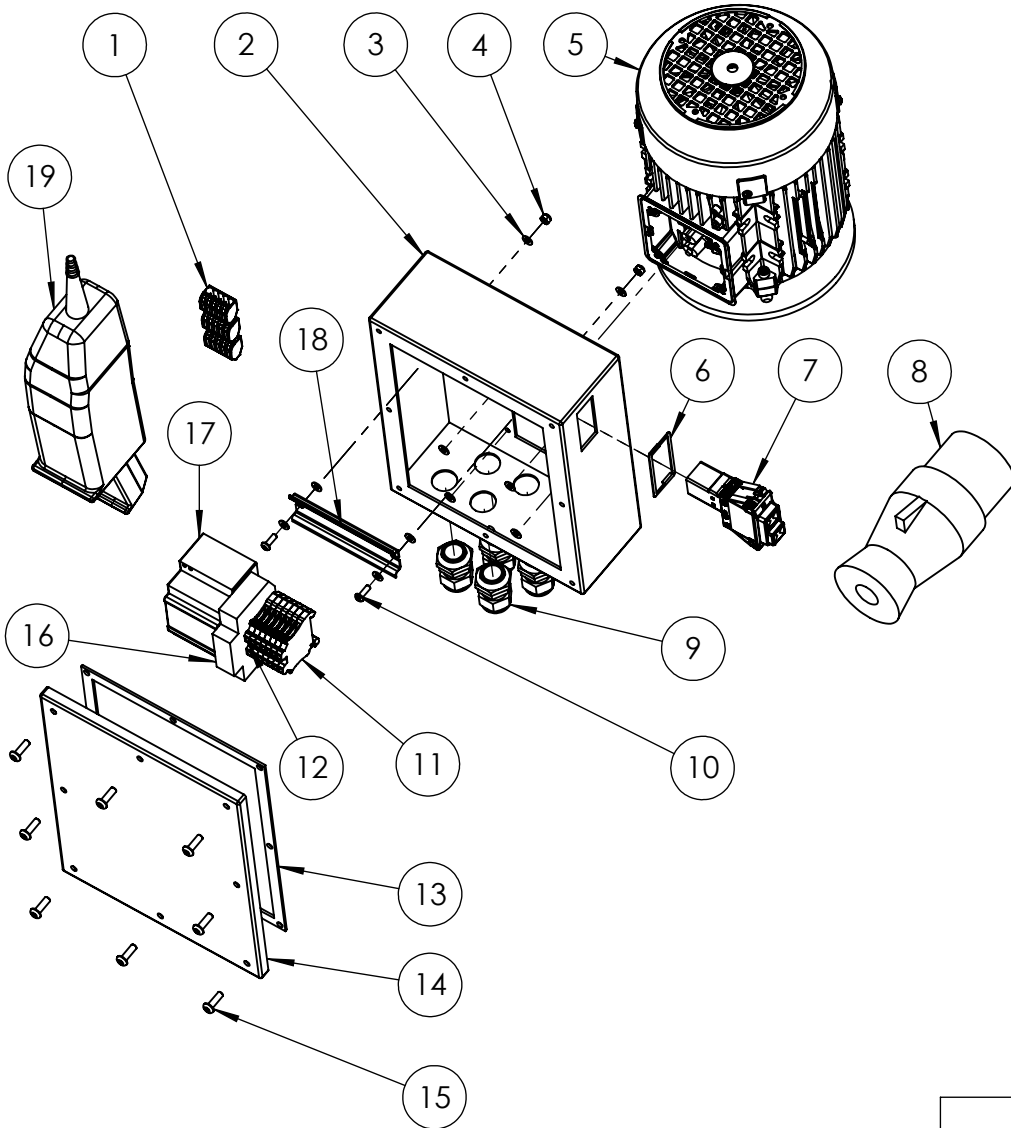
NOTE:

- ALL PARTS ARE AVAILABLE TO BE ORDERED AS SPARE PARTS, UNLESS MARKED WITH X

- ALL PARTS MARKED WITH ✓ ARE AVAILABLE SERVICEABLE PARTS FOUND IN:
SERVICE KIT **HDA50TLSK01**

IMPORTANT

WHEN ORDERING SPARES YOU MUST STATE THE FULL PART NUMBER AND THE
PRODUCT SERIAL NUMBER - FROM THE LABEL
TO PROTECT YOUR WARRANTY ALWAYS USE GENUINE HI-FORCE PARTS.



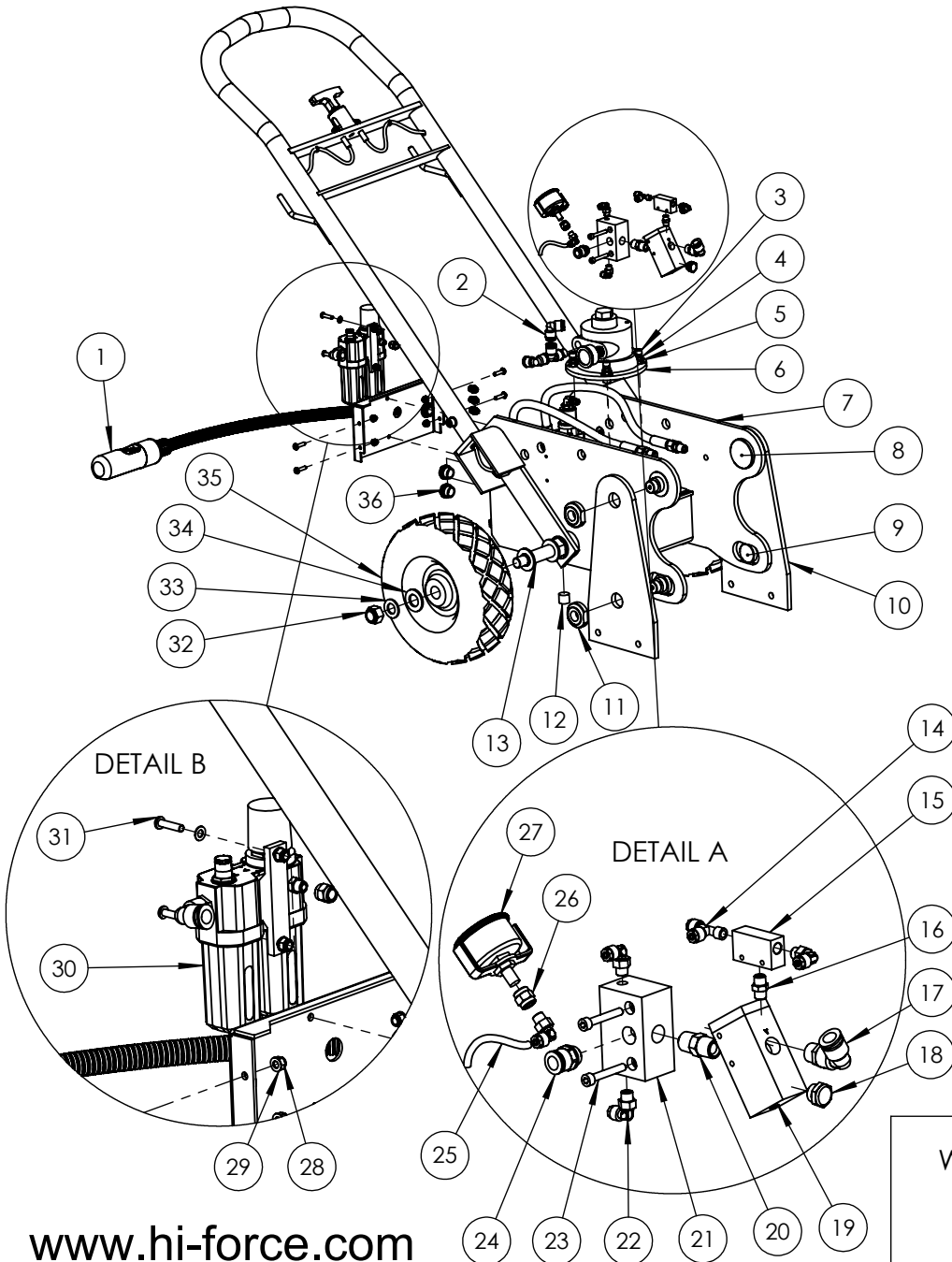
ITEM NO.	PART NUMBER	DESCRIPTION	QTY.
1	EMC400NG001	Wago 5-way lever connector 222 series	3
2	EMC240EZ001	ENCLOSURE BOX	1
3	WAC004FS000	NYLON WASHER	10
4	NUC004VC000	NUT	2
5	EM230-0.75-4LAF	MOTOR WITH BOX REMOVED	1
6	EMC000XZ002	CIRCUIT BREAKER SPACER	1
7	EMC240UC001	CIRCUIT BREAKER 240V 4A	1
8	MCC240EP002	240V 16 Amp PLUG	1
9	NUC020LS002	GLAND 6-12MM	4
10	BLC004-H012	BUTTON HEAD SCREW	2
11	EMC000NZ002	EARTH TERMINAL BLOCK	1
12	EMC000NZ001	TERMINAL BLOCK	6
13	SEC002KT015	ENCLOSURE GASKET	1
14	EMC240EZ002	ENCLOSURE LID	1
15	BLC005HH016	BUTTON HEAD SCREW	8
16	EMC240DZ001	HOUR TIMER	1
17	EMC024TB001	POWER SUPPLY 24 V DC	1
18	EMC000XZ001	DIN RAIL	1
19	EMC240VE001	HAND PENDANT	1

NOTE:

- ALL PARTS ARE AVAILABLE TO BE ORDERED AS SPARE PARTS

IMPORTANT

WHEN ORDERING SPARES YOU MUST STATE THE FULL PART NUMBER AND THE PRODUCT SERIAL NUMBER - FROM THE LABEL TO PROTECT YOUR WARRANTY ALWAYS USE GENUINE HI-FORCE PARTS.



ITEM NO.	PART NUMBER	DESCRIPTION	QTY.	SERVICE PARTS
1	VFA003BH006	AIR PENDANT ASSEMBLY	1	
2	FPC012DS001	ELBOW	2	
3	BLC008KD020	SOCKET CAP HD SCREW	4	
4	WAC008BB000	M8 ZINC PLATED SPRING WASHER	4	
5	WAC008AB000	M8 PLAIN WASHER	4	
6	AM3	AIR MOTOR	1	
	AM3	MOTOR	1	
	AM3-M	AIR MOTOR MUFFLER	1	
	AM3-MR	AIR MOTOR MUFFLER REDUCER	1	
	AM3-K	AM3 SERVICE KIT	1	✓
7	SFS300HC001	FRAME WELD ASSY	1	X
8	SFC060RA001	UPPER PIN	2	
9	SFC040RA007		2	
10	SFC180JD001	50T PIVOT PLATE	2	
11	NUC024LS001	NUT	4	
12	FPC013PC001	12" BSPT HEX SOCKET PLUG	1	✓
13	PCC025AJ001	STUB AXLE	2	
14	FPC010UM001	TEE	1	
15	VFA003CS002	SHUTTLE VALVE	1	
16	FPC003NC001	NIPPLE	2	
17	FPC010DS001	CONNECTOR	3	
18	FFC010RK001	SILENCER	1	
19	VFA013CD002	PILOT OPERATED VALVE	1	
20	FPC010AN003	ADAPTOR	1	
21	VFC010BN001	MANIFOLD BLOCK	1	
22	FPC010DM001	STUD ELBOW (AIR)	5	
23	BLC006JC040	SOCKET CAP HD SCREW	2	
24	FPC012WS001	STUD 3/8 BSP TO 12MM PUSH	1	
25	MCC000AP001	POLYURETHANE TUBE BLACK 6 X 4 MM	1	
26	FPC003AC001	SOCKET	2	
27	HG160T	AIR PRESSURE GAUGE	1	
28	NUC006JC000	NYLOK NUT	8	
29	WAC006AF000	M6 ZINC WASHER	12	
30	MCC000AF005	FILTER/REGULATOR/LUBRICATOR UNIT	1	
	MCC000AF005	FILTER/REGULATOR/LUBRICATOR UNIT	1	
	MCC000AF005-FE	FILTER ELEMENT	1	✓
31	BLC006JH025	BUTTON HEAD SCREW	6	
32	NUC020PC000	NYLOK NUT	2	
33	WAC020AB000	M20 PL WASHER	2	
34	WAC024AB000	PLAIN WASHER	8	
35	BSC025WV001	WHEEL 300mm	2	
36	BLC021YT010	SIGHT GLASS HGF.13 BLACK OIL LEVEL INDICATOR	2	

REVISION

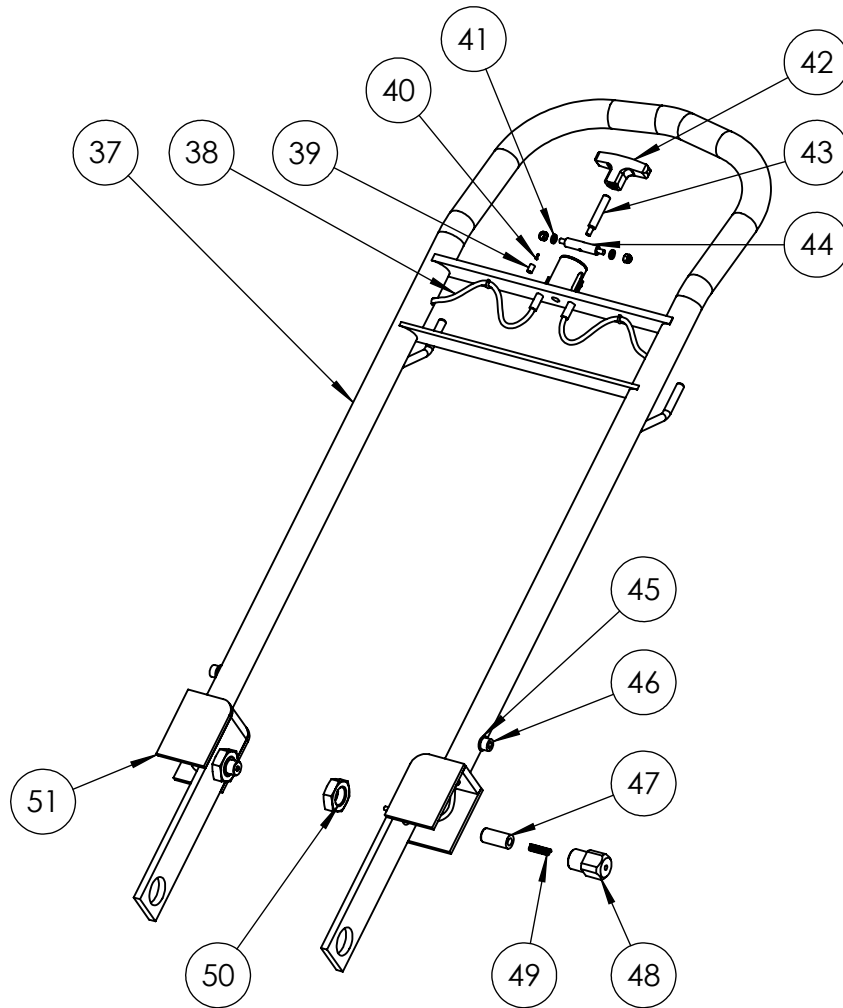
1	
2	5731
3	
4	
5	
6	
7	
8	
9	
10	
11	
12	
13	
14	
15	
16	
17	
18	
19	
20	

IMPORTANT

WHEN ORDERING SPARES YOU MUST STATE THE FULL PART NUMBER AND THE PRODUCT SERIAL NUMBER - FROM THE LABEL TO PROTECT YOUR WARRANTY ALWAYS USE GENUINE HI-FORCE PARTS.

REVISION

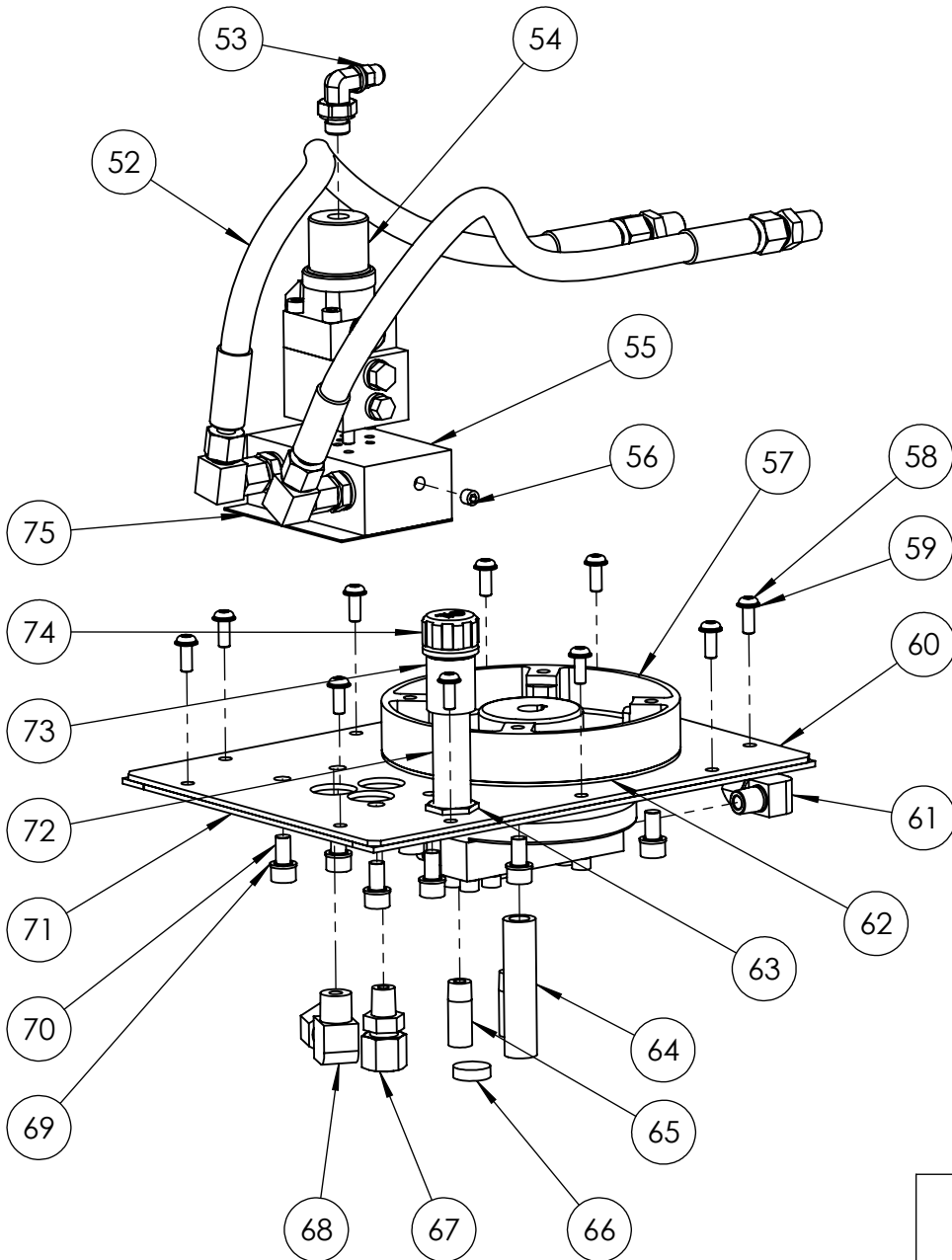
1	
2	5731
3	
4	
5	
6	
7	
8	
9	
10	
11	
12	
13	
14	
15	
16	
17	
18	
19	
20	



ITEM NO.	PART NUMBER	DESCRIPTION	QTY.	SERVICE PARTS
37	HLS038TS002	HANDLE ASSEMBLY	1	
38	FLC002RZ001	BRAKE CABLE	2	
39	09GRP2973	BRAKE CABLE FERRULE	4	
40	09MFF7896	WIRE END COVER	2	
41	WAC006AS002	CLAMP WASHER	2	
42	HLC010PM001	RELEASE HANDLE	1	
43	PCC010AJ001	RELEASE ROD	1	
44	PCC012AH001	CABLE CLAMP	1	
45	WAC010AB000	M10 ZINC PLATED FLAT WASHER	2	
46	BLC010LD016	SOCKET CAP HD SCREW	2	
47	PCC019FH001	LATCH PIN	2	
48	SFC035RA001	LATCH SLEEVE	2	
49	SPC009CC001	SPRING	2	
50	NUC027QB001	THIN NUT	2	
51	SFS060FC001	HANDLE BRACKET W/ASSY	2	

IMPORTANT

WHEN ORDERING SPARES YOU MUST STATE THE FULL PART NUMBER AND THE PRODUCT SERIAL NUMBER - FROM THE LABEL TO PROTECT YOUR WARRANTY ALWAYS USE GENUINE HI-FORCE PARTS.



ITEM NO.	PART NUMBER	DESCRIPTION	QTY.	SERVICE PARTS
52	HOC006AB003	HP HOSE	2	
53	FPC006DR001	SWIVEL ELBOW	1	
54	VFC000CD003	4/2 VALVE	1	
55	VFC010RD009	SUB PLATE	1	
56	FPC002PN001	PLUG	3	
57	PMC014CF002	PUMP HEART	1	
	PMC014CF002	PUMP HEART	1	
	KKP01-100-K	PMC014CF002 SERVICE KIT	1	✓
58	BLC006JH016	BUTTON HEAD SCREW	10	
59	WAC006EB000	M6 WASHER	10	
60	TAC008BS004	SUB PLATE	1	
61	FPC006DB001	FITTING	1	
62	SEC002KT014	PUMP GASKET	1	✓
63	NUC020LB000	LOCK NUT	1	
64	TAC000PA007	SUCTION PIPE	1	
65	TAC000PP003	RETURN PIPE	2	
66	DCSF00328	DOUBLE SIDED MAGNET	1	
67	FPC006YN001	MALE CONNECTOR 1/4" NPT x 10mm	1	
68	FPC010DN001	MALE STUD ELBOW	1	
69	WAC008KD000	DOWTY WASHER	8	
70	BLC008KD016	SOCKET CAP HD SCREW	8	
71	SEC002KT008	TANK GASKET	1	✓
72	FPC020AM003	EXTENSION TUBE	1	
73	FPC020AM002	BARREL	1	
74	BPC020SP001	FILLER	1	
75	SEC001KT004	GASKET	1	

REVISION

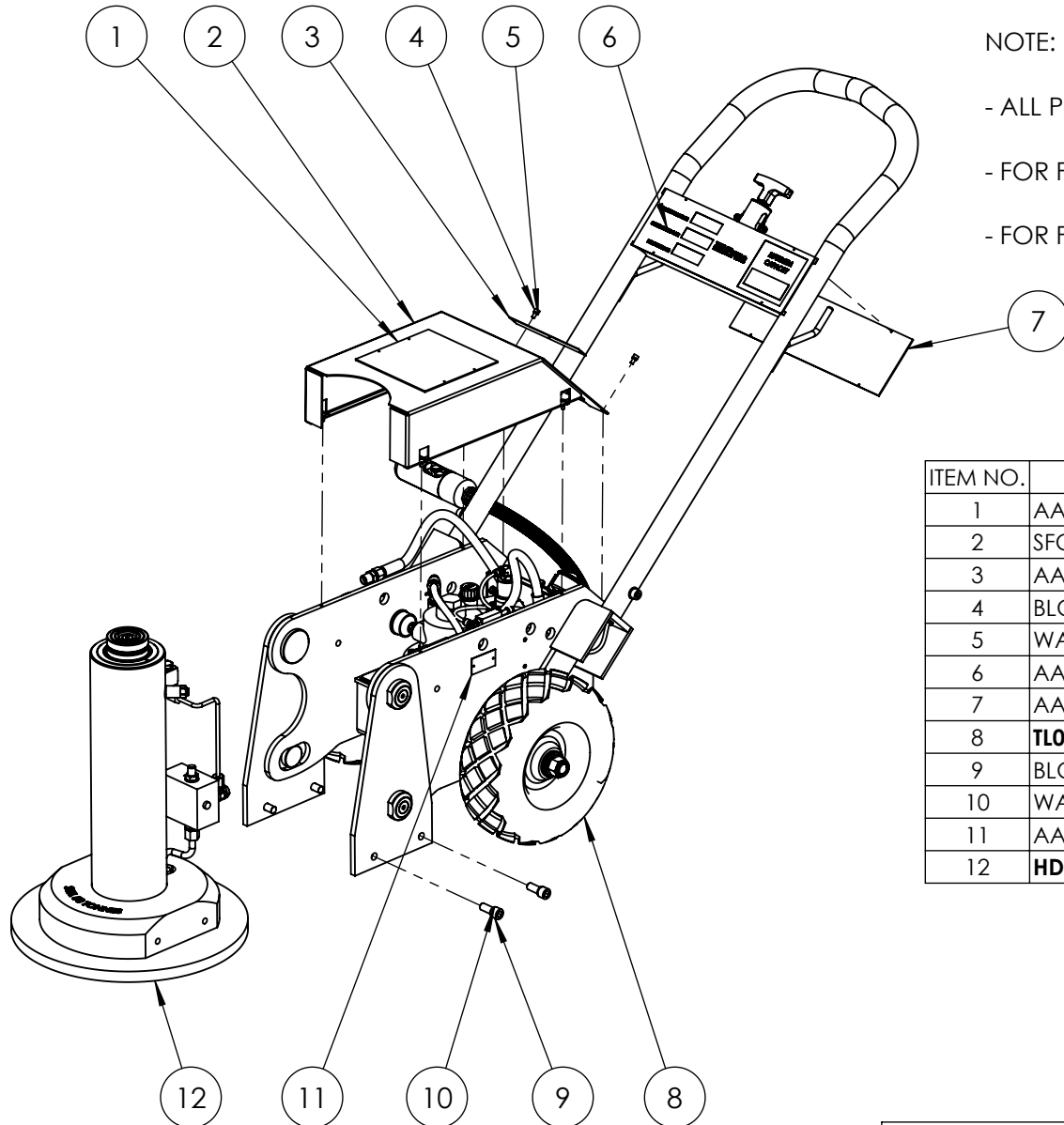
1	
2	5731
3	
4	
5	
6	
7	
8	
9	
10	
11	
12	
13	
14	
15	
16	
17	
18	
19	
20	

-NOTE:

- ALL PARTS ARE AVAILABLE TO BE ORDERED AS SPARE PARTS, UNLESS MARKED WITH X
- ALL PARTS MARKED WITH ✓ ARE AVAILABLE SERVICEABLE PARTS FOUND IN: SERVICE KIT **TLA50SK01**

IMPORTANT

WHEN ORDERING SPARES YOU MUST STATE THE FULL PART NUMBER AND THE PRODUCT SERIAL NUMBER - FROM THE LABEL TO PROTECT YOUR WARRANTY ALWAYS USE GENUINE HI-FORCE PARTS.



NOTE:

- ALL PARTS ARE AVAILABLE TO BE ORDERED AS SPARE PARTS
- FOR FURTHER DETAILS ON **TL050AT**, PLEASE REFER TO TL050AT EVD
- FOR FURTHER DETAILS ON **HDA5014TL**, PLEASE REFER TO HDA5014TL EVD

ITEM NO.	PART NUMBER	DESCRIPTION	QTY.
1	AAN000HP006	SAFETY NAME PLATE	1
2	SFC252HE002	TL050A TOP COVER	1
3	AAN000HP008	AIR REGULATOR PLATE	1
4	BLC005HD010	SOCKET CAP HD SCREW	6
5	WAC005BC001	SPRING WASHER	6
6	AAN000HP004	50 TON NAME PLATE	1
7	AAN000HP005	50 TON BACK NAME PLATE	1
8	TL050AT	TL050AT TROLLEY ASSEMBLY	1
9	BLC012MD030	M12 X 30MM BOLT	4
10	WAC012BB000	M12 SPRING WASHER	4
11	AAN000HP007	LIFTING POSITION PLATE	2
12	HDA5014TL	50 TONNE TOUGHLIFT CYLINDER	1

REVISION

1 5731

2

3

4

5

6

7

8

9

10

11

12

13

14

15

16

17

18

19

20

IMPORTANT

WHEN ORDERING SPARES YOU MUST STATE THE FULL PART NUMBER AND THE PRODUCT SERIAL NUMBER - FROM THE LABEL TO PROTECT YOUR WARRANTY ALWAYS USE GENUINE HI-FORCE PARTS.