

REVISION

1 5731

2 6243

3

4

5

6

7

8

9

10

11

12

13

14

15

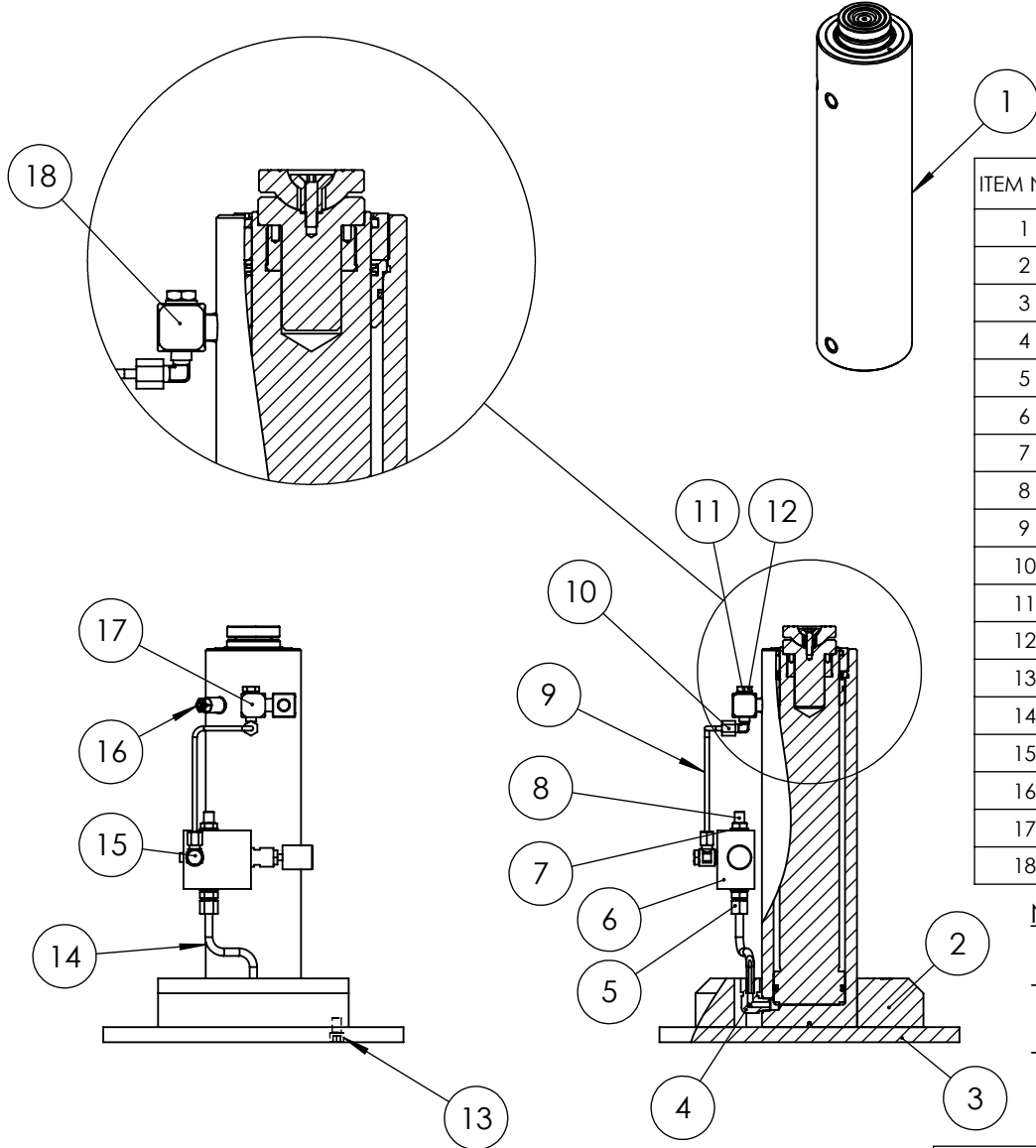
16

17

18

19

20



ITEM NO.	PART NUMBER	DESCRIPTION	QTY.	SERVICE PARTS
1	<b>HDA5014</b>	50T CYLINDER	1	
2	ADC050BC002	INTERMEDIATE PLATE	1	X
3	ADC050BC001	BASE PLATE	1	X
4	FPC010DN001	MALE STUD ELBOW	1	
5	FPC010YB001	STUD COUPLING	1	
6	VFA006NV001	LOWERING VALVE	1	
7	WAC010HD000	3/8" BSP DOWTY WASHER	2	
8	FPC010NB001	REDUCER	1	
9	HOC006BS001	PRE BENT PIPE	1	
10	FPC006DN001	COMPRESSION ELBOW	1	
11	WAC007HD000	1/4" BSP SELF CENTERING BONDED WASHER	1	
12	FAS006GJ010	1/4" BSP HEX HEAD BLANKING PLUG	1	
13	BLC012MD020	M12 X 20mm, HEX SOCKET CAP HEAD SCREW	12	
14	HOC010BS001	FULL BORE PIPE	1	
15	FPC006QB002	6MM BANJO	1	
16	VRA001AF002	RELIEF VALVE	1	
17	FPC010FZ003	ELBOW FITTING	1	
18	HF16	ELBOW, 3/8" NPT FEMALE TO 3/8" NPT MALE	1	

NOTE:

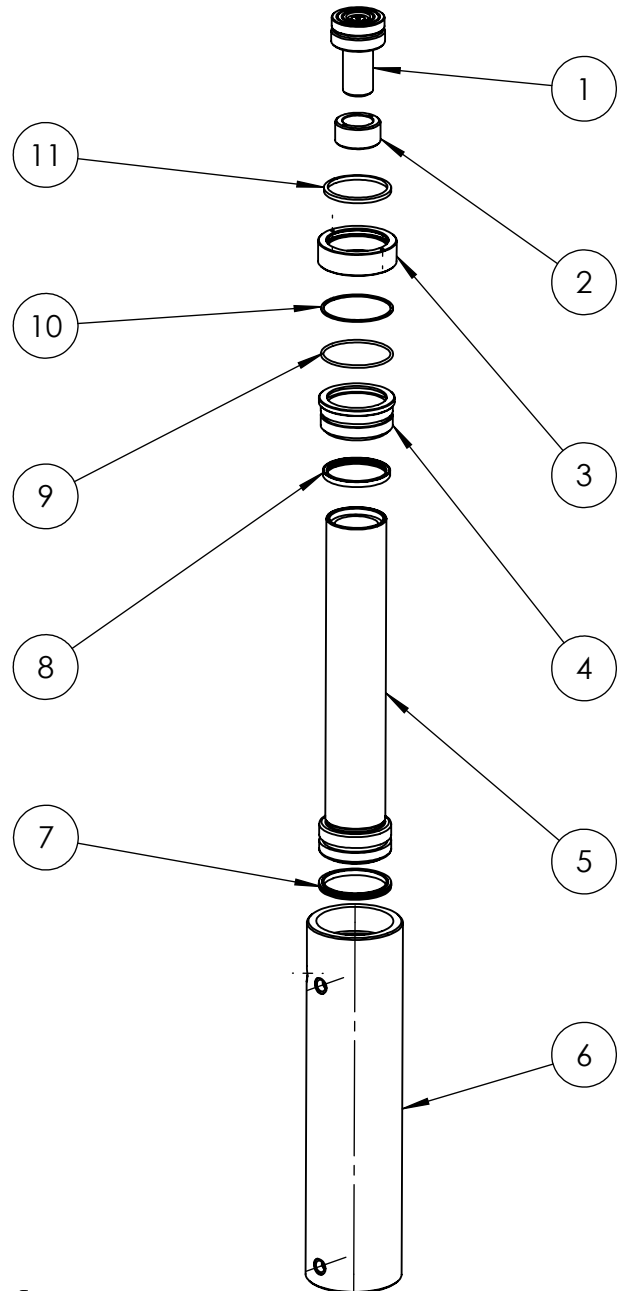
- ALL PARTS ARE AVAILABLE TO BE ORDERED AS SPARE PARTS, UNLESS MARKED WITH X

- FOR FURTHER DETAILS ON **HDA5014**, PLEASE REFER TO HDA5014 EVD

**IMPORTANT**

WHEN ORDERING SPARES YOU MUST STATE THE FULL PART NUMBER AND THE PRODUCT SERIAL NUMBER - FROM THE LABEL TO PROTECT YOUR WARRANTY ALWAYS USE GENUINE HI-FORCE PARTS.

50T CYLINDER



ITEM NO.	PART NUMBER	DESCRIPTION	QTY.	SERVICE PARTS
1	TLS50	SADDLE ASSEMBLY	1	
2	ADC050PA001	ADAPTOR	1	
3	SRC079WJ001	STOP RING	1	
4	SSC095EA001	SEAL RETAINER	1	
5	PRC095VP001	PISTON	1	X
6	CBC095AP002	CYLINDER	1	X
7	SEC095GA001	PISTON SEAL	1	✓
8	SEC079GE001	ROD SEAL	1	✓
9	SEC095RA001	O-RING	1	✓
10	SEC095BA001	BACK UP RING	1	✓
11	SEC079XE001	WIPER	1	✓

REVISION

1 5731

2

3

4

5

6

7

8

9

10

11

12

13

14

15

16

17

18

19

20

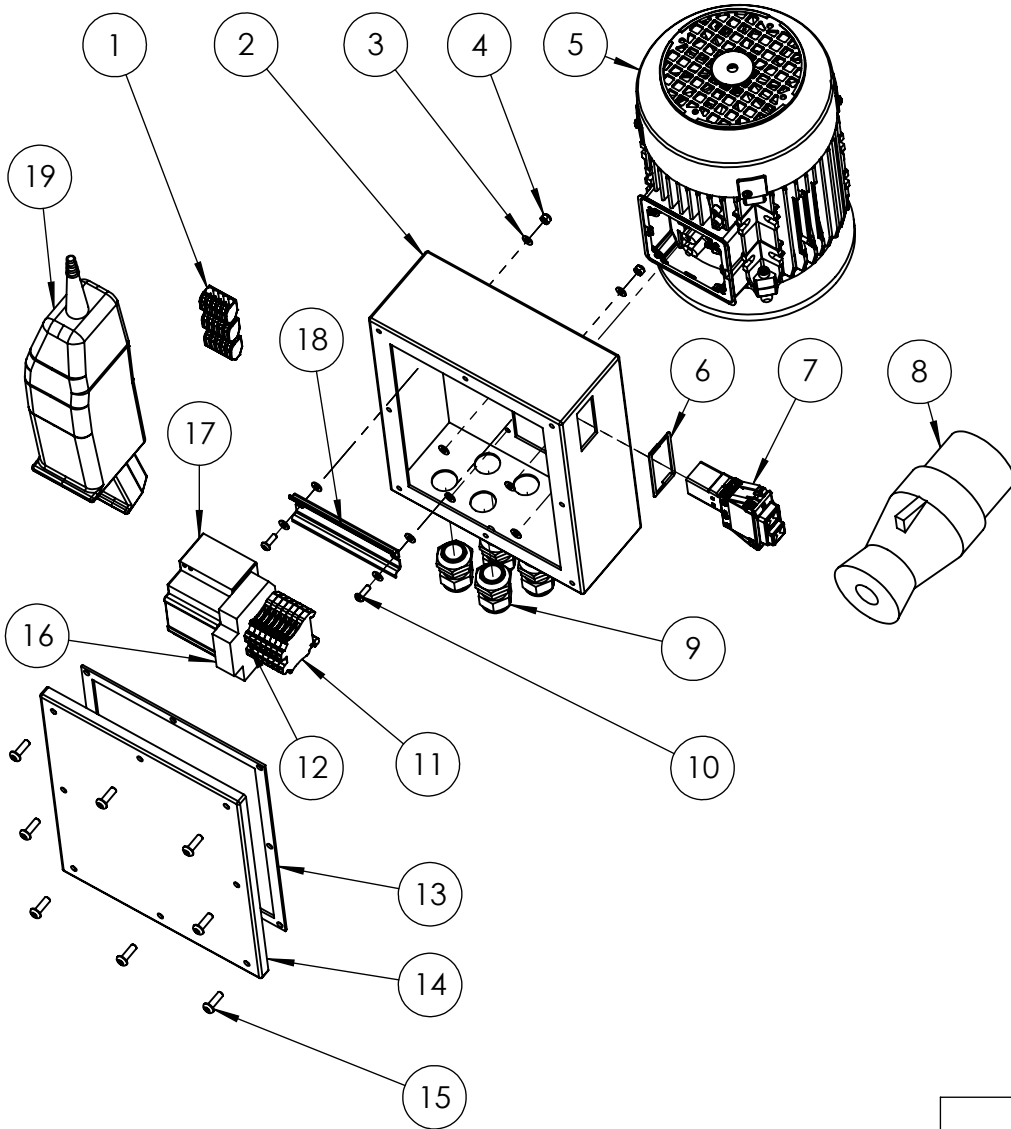
NOTE:

- ALL PARTS ARE AVAILABLE TO BE ORDERED AS SPARE PARTS, UNLESS MARKED WITH X

- ALL PARTS MARKED WITH ✓ ARE AVAILABLE SERVICEABLE PARTS FOUND IN:  
SERVICE KIT **HDA50TLSK01**

**IMPORTANT**

WHEN ORDERING SPARES YOU MUST STATE THE FULL PART NUMBER AND THE  
PRODUCT SERIAL NUMBER - FROM THE LABEL  
TO PROTECT YOUR WARRANTY ALWAYS USE GENUINE HI-FORCE PARTS.



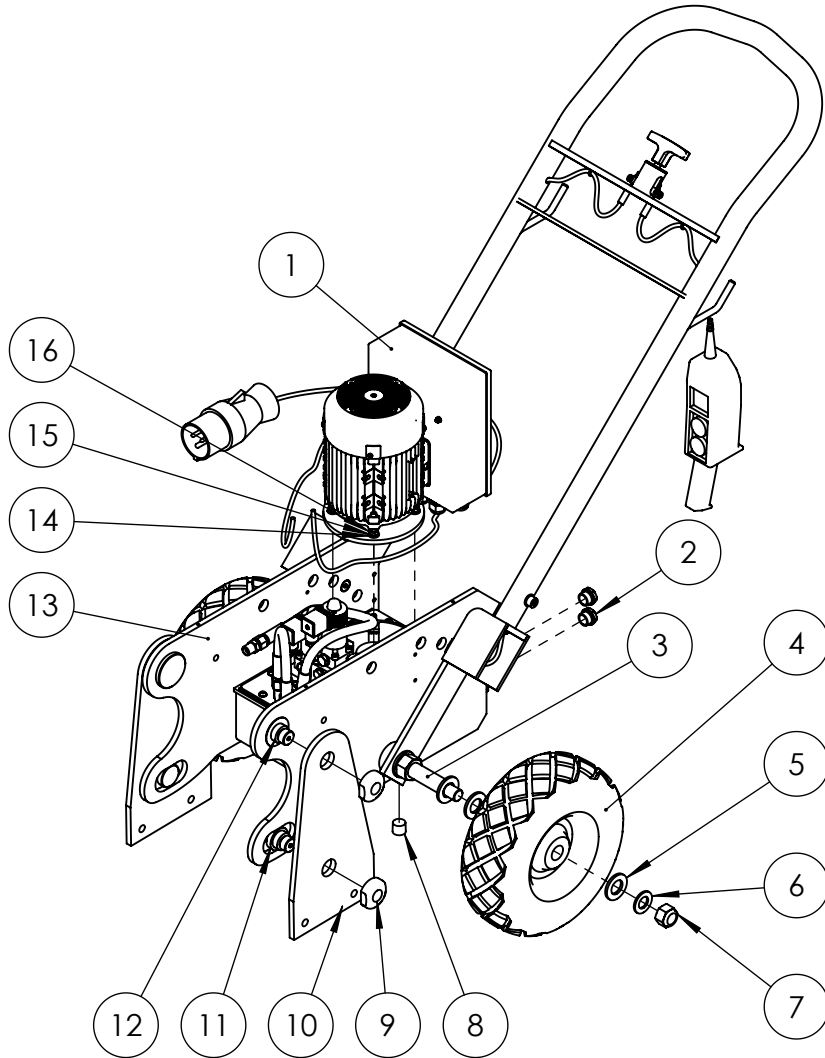
ITEM NO.	PART NUMBER	DESCRIPTION	QTY.
1	EMC400NG001	Wago 5-way lever connector 222 series	3
2	EMC240EZ001	ENCLOSURE BOX	1
3	WAC004FS000	NYLON WASHER	10
4	NUC004VC000	NUT	2
5	EM230-0.75-4LAF	MOTOR WITH BOX REMOVED	1
6	EMC000XZ002	CIRCUIT BREAKER SPACER	1
7	EMC240UC001	CIRCUIT BREAKER 240V 4A	1
8	MCC240EP002	240V 16 Amp PLUG	1
9	NUC020LS002	GLAND 6-12MM	4
10	BLC004-H012	BUTTON HEAD SCREW	2
11	EMC000NZ002	EARTH TERMINAL BLOCK	1
12	EMC000NZ001	TERMINAL BLOCK	6
13	SEC002KT015	ENCLOSURE GASKET	1
14	EMC240EZ002	ENCLOSURE LID	1
15	BLC005HH016	BUTTON HEAD SCREW	8
16	EMC240DZ001	HOUR TIMER	1
17	EMC024TB001	POWER SUPPLY 24 V DC	1
18	EMC000XZ001	DIN RAIL	1
19	EMC240VE001	HAND PENDANT	1

NOTE:

- ALL PARTS ARE AVAILABLE TO BE ORDERED AS SPARE PARTS

**IMPORTANT**

WHEN ORDERING SPARES YOU MUST STATE THE FULL PART NUMBER AND THE PRODUCT SERIAL NUMBER - FROM THE LABEL TO PROTECT YOUR WARRANTY ALWAYS USE GENUINE HI-FORCE PARTS.



ITEM NO.	PART NUMBER	DESCRIPTION	QTY.	SERVICE PARTS
1	<b>EMA230MC002</b>	230V MOTOR ASSEMBLY	1	
2	BLC021YT010	SIGHT GLASS HGF.13 BLACK OIL LEVEL INDICATOR	2	
3	PCC025AJ001	STUB AXLE	2	
4	BSC025WV001	WHEEL 300mm	2	
5	WAC024AB000	PLAIN WASHER	8	
6	WAC020AB000	M20 PL WASHER	2	
7	NUC020PC000	NYLOK NUT	2	
8	FPC013PC001	12" BSPT HEX SOCKET PLUG	1	✓
9	NUC024LS001	NUT	4	
10	SFC180JD001	50T PIVOT PLATE	2	
11	SFC040RA007		2	
12	SFC060RA001	UPPER PIN	2	
13	SFS300HC001	FRAME WELD ASSY	1	X
14	WAC008AB000	M8 PLAIN WASHER	4	
15	WAC008BB000	M8 ZINC PLATED SPRING WASHER	4	
16	NUC008KA000	NUT	4	

-NOTE:

- ALL PARTS ARE AVAILABLE TO BE ORDERED AS SPARE PARTS, UNLESS MARKED WITH X

- ALL PARTS MARKED WITH ✓ ARE AVAILABLE SERVICEABLE PARTS FOUND IN: SERVICE KIT **TLE50SK01**

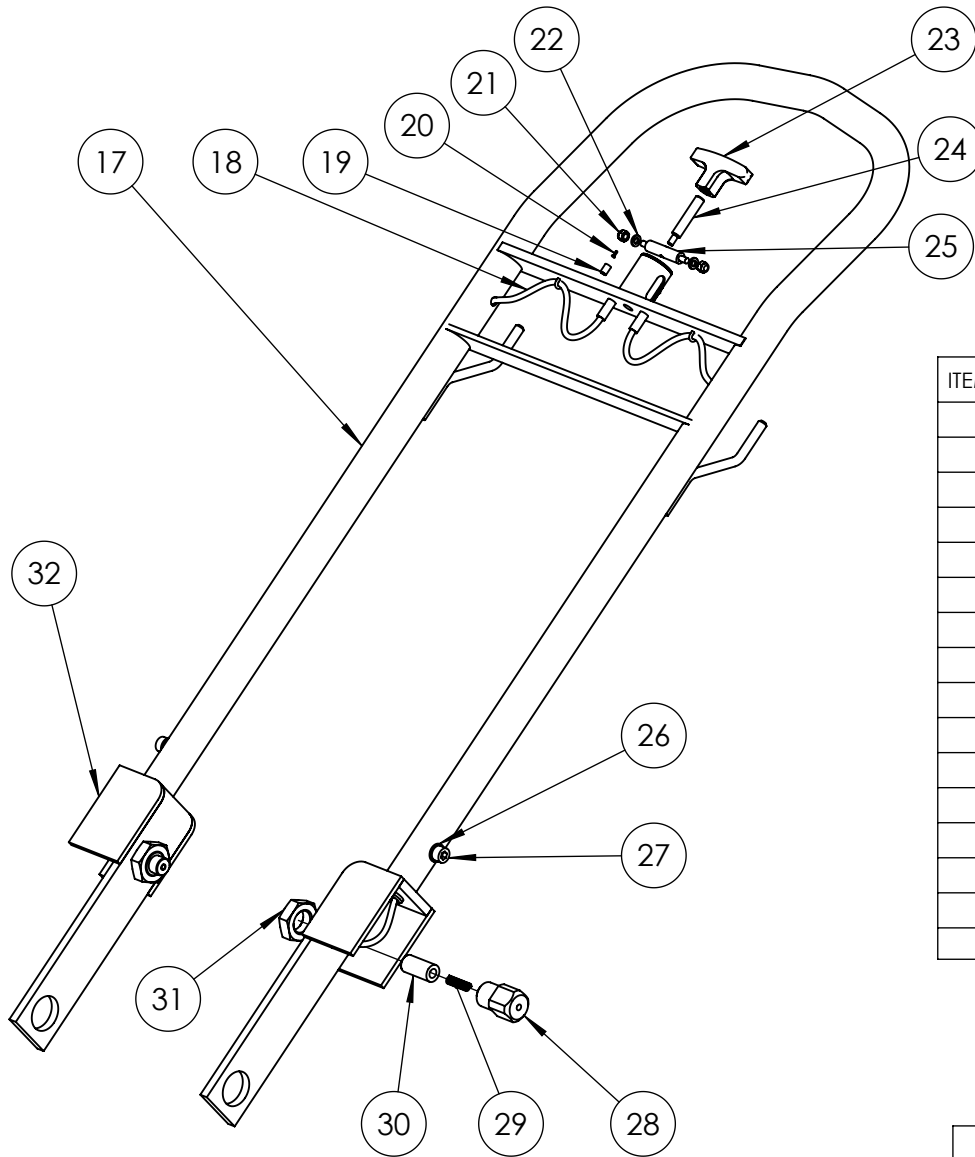
- FOR FURTHER DETAILS ON **EMA230MC002**, PLEASE REFER TO EMA230MC002 EVD

**IMPORTANT**

WHEN ORDERING SPARES YOU MUST STATE THE FULL PART NUMBER AND THE PRODUCT SERIAL NUMBER - FROM THE LABEL TO PROTECT YOUR WARRANTY ALWAYS USE GENUINE HI-FORCE PARTS.

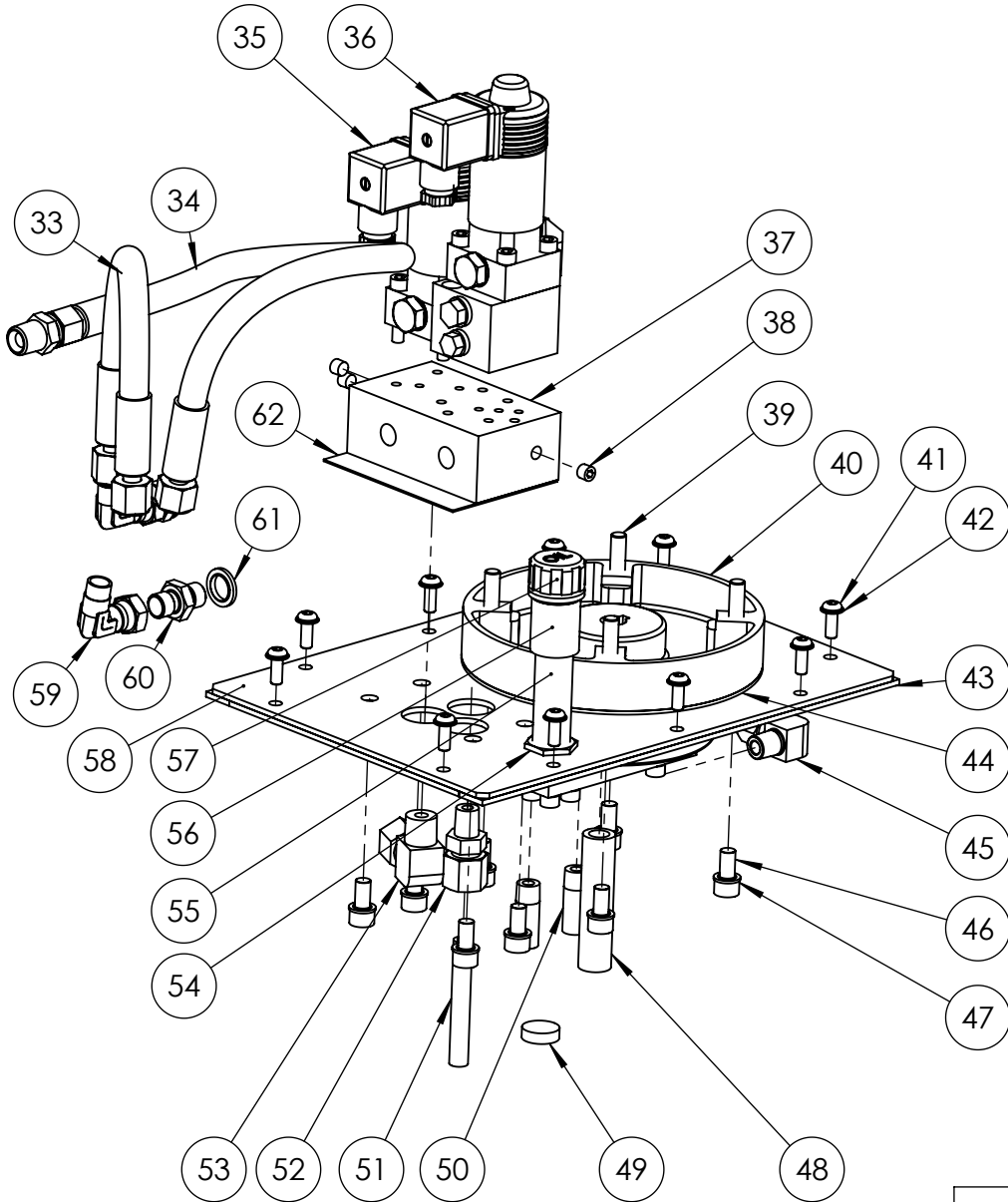
REVISION

1	
2	5731
3	
4	
5	
6	
7	
8	
9	
10	
11	
12	
13	
14	
15	
16	
17	
18	
19	
20	



ITEM NO.	PART NUMBER	DESCRIPTION	QTY.	SERVICE PARTS
17	HLS038TS002	HANDLE ASSEMBLY	1	
18	FLC002RZ001	BRAKE CABLE	2	
19	09GRP2973	BRAKE CABLE FERRULE	4	
20	09MFF7896	WIRE END COVER	2	
21	NUC006JC000	NYLOK NUT	2	
22	WAC006AS002	CLAMP WASHER	2	
23	HLC010PM001	RELEASE HANDLE	1	
24	PCC010AJ001	RELEASE ROD	1	
25	PCC012AH001	CABLE CLAMP	1	
26	WAC010AB000	M10 ZINC PLATED FLAT WASHER	2	
27	BLC010LD016	SOCKET CAP HD SCREW	2	
28	SFC035RA001	LATCH SLEEVE	2	
29	SPC009CC001	SPRING	2	
30	PCC019FH001	LATCH PIN	2	
31	NUC027QB001	THIN NUT	2	
32	SFS060FC001	HANDLE BRACKET W/ASSY	2	

**IMPORTANT**  
WHEN ORDERING SPARES YOU MUST STATE THE FULL PART NUMBER AND THE  
PRODUCT SERIAL NUMBER - FROM THE LABEL  
TO PROTECT YOUR WARRANTY ALWAYS USE GENUINE HI-FORCE PARTS.



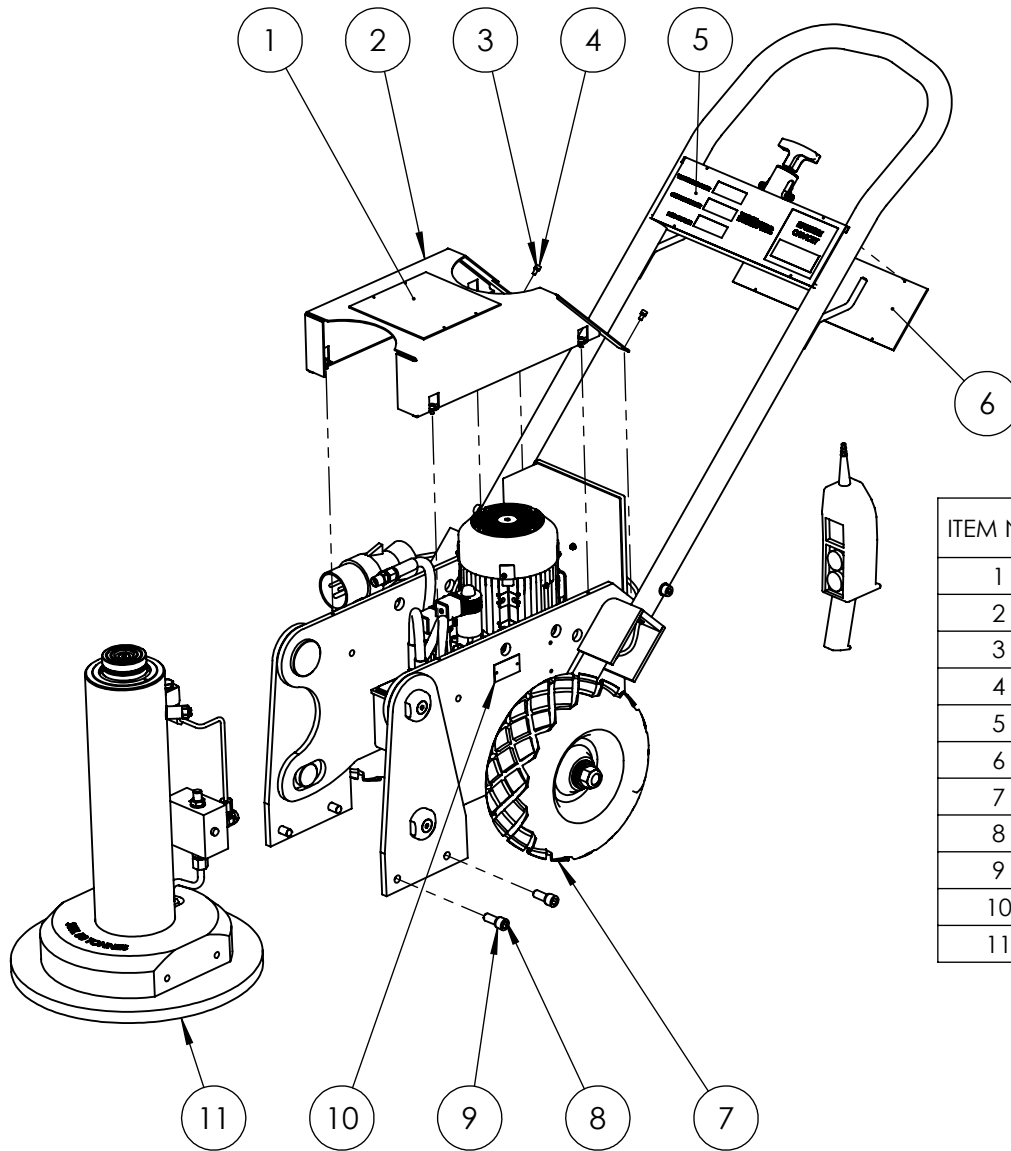
ITEM NO.	PART NUMBER	DESCRIPTION	QTY.	SERVICE PARTS
33	HOC006AB006	0.32 X 1/4 720 BAR POLYFLEX 1/4 BSP FEMS	1	
34	HOC006AB003	HP HOSE	1	
35	VFC000CD005	2/2 VALVE	1	
36	VFC000CD008	4/2 VALVE ASSY	1	
37	VFC010RD008	SUB PLATE	1	
38	FPC002PN001	PLUG	3	
39	BLC008ST000	M8X35MM ENGINEERING STUD	4	
40	PMC014CF002	PUMP HEART	1	
	PMC014CF002	PUMP HEART	1	
	KKP01-100-K	PMC014CF002 SERVICE KIT	1	✓
41	BLC006JH016	BUTTON HEAD SCREW	10	
42	WAC006EB000	M6 WASHER	10	
43	SEC002KT008	TANK GASKET	1	✓
44	SEC002KT014	PUMP GASKET	1	✓
45	FPC006DB001	FITTING	1	
46	BLC008KD016	SOCKET CAP HD SCREW	8	
47	WAC008KD000	DOWTY WASHER	8	
48	TAC000PA007	SUCTION PIPE	1	
49	DCSF00328	DOUBLE SIDED MAGNET	1	
50	TAC000PP003	RETURN PIPE	2	
51	HOC006PS020	TUBE	1	
52	FPC006YN001	MALE CONNECTOR 1/4" NPT x 10mm	1	
53	FPC010DN001	MALE STUD ELBOW	1	
54	NUC020LB000	LOCK NUT	1	
55	FPC020AM003	EXTENSION TUBE	1	
56	FPC020AM002	BARREL	1	
57	BPC020SP001	FILLER	1	
58	TAC008BS004	SUB PLATE	1	
59	FPC006FB001	1/4" BSP FEMALE - 1/4" BSP MALE ELBOW	2	
60	FPC006QB003	ADAPTOR	2	
61	WAC007HD000	1/4" BSP SELF CENTERING BONDED WASHER	2	
62	SEC001KT004	GASKET	1	

REVISION

1	
2	5731
3	
4	
5	
6	
7	
8	
9	
10	
11	
12	
13	
14	
15	
16	
17	
18	
19	
20	

**IMPORTANT**

WHEN ORDERING SPARES YOU MUST STATE THE FULL PART NUMBER AND THE PRODUCT SERIAL NUMBER - FROM THE LABEL TO PROTECT YOUR WARRANTY ALWAYS USE GENUINE HI-FORCE PARTS.



NOTE:

- ALL PARTS ARE AVAILABLE TO BE ORDERED AS SPARE PARTS
- FOR FURTHER DETAILS ON **TL050ET**, PLEASE REFER TO TL050ET EVD
- FOR FURTHER DETAILS ON **HDA5014TL**, PLEASE REFER TO HDA5014TL EVD

ITEM NO.	PART NUMBER	DESCRIPTION	QTY.
1	AAN000HP006	SAFETY NAME PLATE	1
2	SFC252HE001	TL050E TOP COVER	1
3	WAC005BC001	SPRING WASHER	6
4	BLC005HD010	SOCKET CAP HD SCREW	6
5	AAN000HP004	50 TON NAME PLATE	1
6	AAN000HP005	50 TON BACK NAME PLATE	1
7	<b>TL050ET</b>	TL050E TROLLEY ASSEMBLY	1
8	BLC012MD030	M12 X 30MM BOLT	4
9	WAC012BB000	M12 SPRING WASHER	4
10	AAN000HP007	LIFTING POSITION PLATE	2
11	<b>HDA5014TL</b>	50 TONNE TOUGHLIFT CYLINDER	1

REVISION

1 5731

2

3

4

5

6

7

8

9

10

11

12

13

14

15

16

17

18

19

20

**IMPORTANT**  
WHEN ORDERING SPARES YOU MUST STATE THE FULL PART NUMBER AND THE  
PRODUCT SERIAL NUMBER - FROM THE LABEL  
TO PROTECT YOUR WARRANTY ALWAYS USE GENUINE HI-FORCE PARTS.