

ITEM NO.	PART NUMBER	DESCRIPTION	QTY.	SPARE PARTS	SERVICE PARTS
1	TTC120BA001	BODY	1	X	
2	TTC120NS003	PISTON HEAD	1		
3	TTC120NS002	PISTON ROD	1		
4	BSC028LC001	BEARING	1		
5	TTC120EA001	SWIVEL CONNECTOR GLAND	1		
6	TTC120SA001	END SWIVEL GLAND	1		
7	TTA045SA002	SWIVEL CONNECTOR ASSEMBLY	1		
8	TTC045SA003	SWIVEL CONNECTOR CAP	2		
9	TTC120MS001	THRUST PAD	2		
10	TTC120JS001	LOCKING PIN	1		
11	SEC025MF001	ROTARY SEAL - O.D. 25.01 mm , I.D. 21.87 mm , H. 2.4 mm HPU-R95	6		✓
12	BPC003TS001	PLUG	1		
13	BLC005HF010	SOCKET CSK SCREW M5 x 10	2		
14	FAS005ME006	SOCKET CUP PT SCREW M5 x 6	3		
15	FAS005ME010	SOCKET CUP PT SCREW M5 x 10	1		
16	FPC002PN001	1/16"NPTF x 7/8" TAPER PLUG	1		
17	FAS006MY012	SPRING PLUNGER	1		
18	SEC009RA003	O-RING - I.D. 5.28 mm , C.S. 1.78 mm NITRILE 70	1		✓
19	BLC008KD025	M8 x 25 HEX SOCKET CAP HEAD SCREW	8		
20	PCC005RD004	SLOTTED SPRING PIN O.D. 5 mm X 22 mm	1		✓
21	SEC028LE001	LIP SEAL - O.D. 36.00 mm , I.D. 28.00 mm , H. 5.00 mm POLYURETHANE 90 SHORE	1		✓
22	SEC046BA001	BACKUP RING - O.D. 46.02 mm , I.D. 41.28 mm , H. 1 mm PTFE	1		✓
23	SEC046RA001	O-RING - I.D. 40.94 mm , C.S. 2.62 mm NITRILE 70 SHORE	1		✓
24	SEC046GA001	PISTON SEAL - O.D. 46.00 mm , I.D. 39.80 mm , H. 4.70 mm NITRILE/NYLON 70 SHORE	1		✓

REVISION

1	
2	3905
3	3992
4	6211
5	
6	
7	
8	
9	
10	
11	
12	
13	
14	
15	
16	
17	
18	
19	
20	

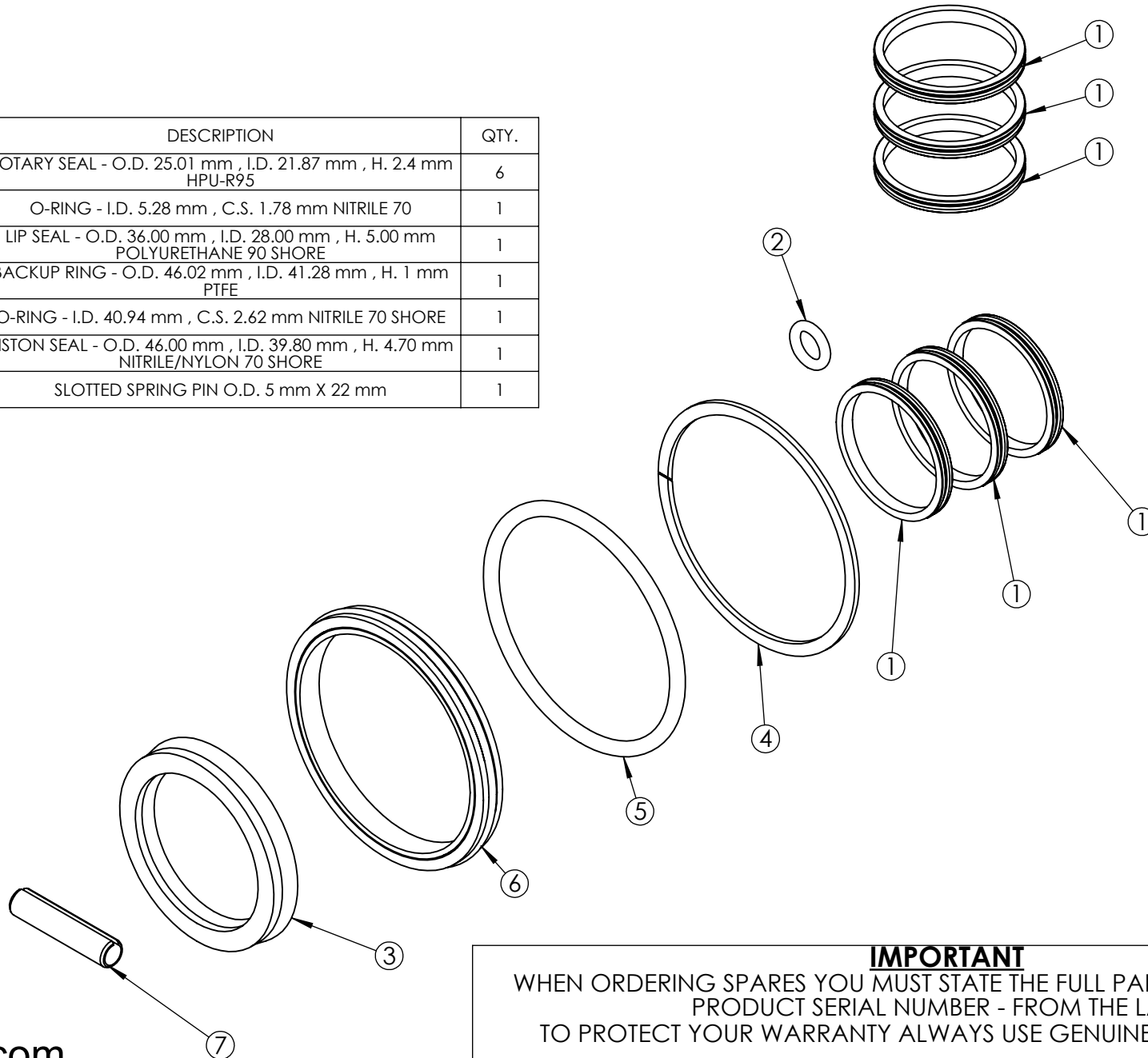
NOTE

- ALL PARTS AVAILABLE TO BE ORDERED AS SPARE PARTS (UNLESS MARKED WITH X).
- ONLY PARTS MARKED WITH ✓ ARE AVAILABLE AS BOTH SPARE PARTS OR SERVICEABLE PARTS FROM TWH120NTP3-K
- FOR SUB ASSEMBLIES (ITEM NO.S 7) REFER TO THEIR INDIVIDUAL EVD'S.

IMPORTANT

WHEN ORDERING SPARES YOU MUST STATE THE FULL PART NUMBER AND THE PRODUCT SERIAL NUMBER - FROM THE LABEL TO PROTECT YOUR WARRANTY ALWAYS USE GENUINE HI-FORCE PARTS.

ITEM NO.	PART NUMBER	DESCRIPTION	QTY.
1	SEC025MF001	ROTARY SEAL - O.D. 25.01 mm , I.D. 21.87 mm , H. 2.4 mm HPU-R95	6
2	SEC009RA003	O-RING - I.D. 5.28 mm , C.S. 1.78 mm NITRILE 70	1
3	SEC028LE001	LIP SEAL - O.D. 36.00 mm , I.D. 28.00 mm , H. 5.00 mm POLYURETHANE 90 SHORE	1
4	SEC046BA001	BACKUP RING - O.D. 46.02 mm , I.D. 41.28 mm , H. 1 mm PTFE	1
5	SEC046RA001	O-RING - I.D. 40.94 mm , C.S. 2.62 mm NITRILE 70 SHORE	1
6	SEC046GA001	PISTON SEAL - O.D. 46.00 mm , I.D. 39.80 mm , H. 4.70 mm NITRILE/NYLON 70 SHORE	1
7	PCC005RD004	SLOTTED SPRING PIN O.D. 5 mm X 22 mm	1

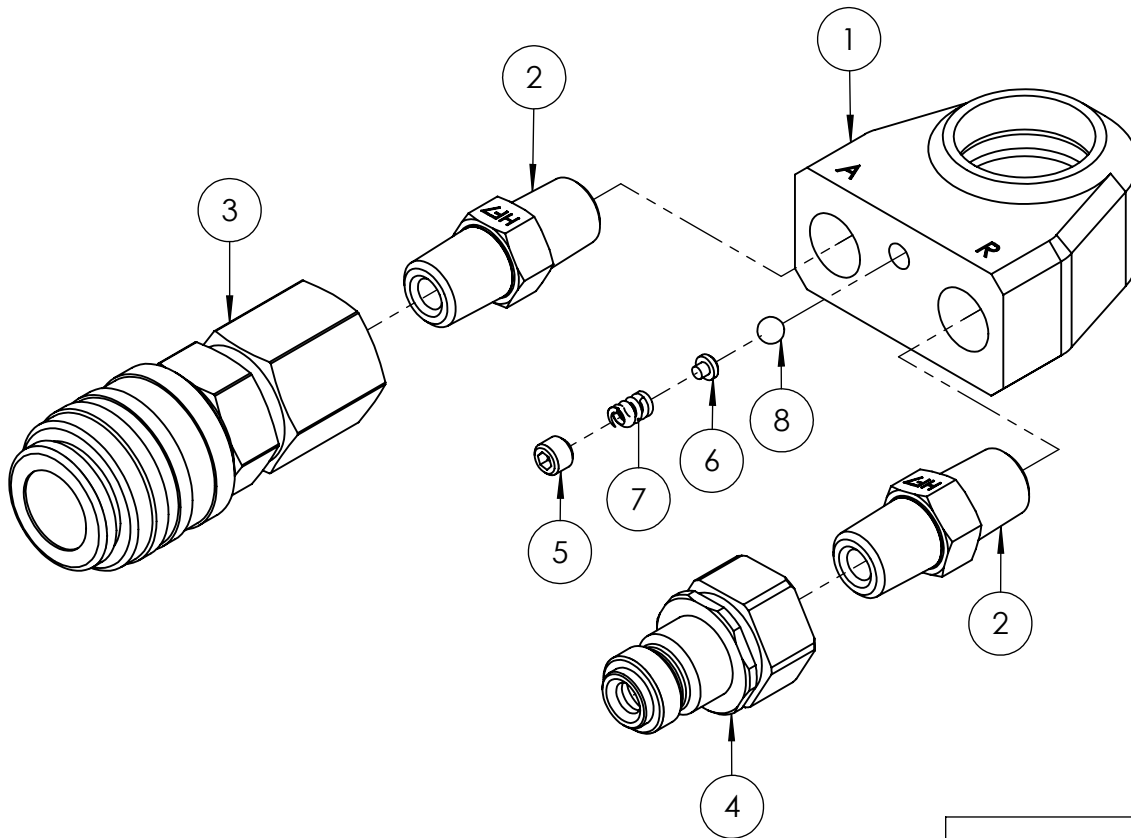


IMPORTANT
WHEN ORDERING SPARES YOU MUST STATE THE FULL PART NUMBER AND THE
PRODUCT SERIAL NUMBER - FROM THE LABEL
TO PROTECT YOUR WARRANTY ALWAYS USE GENUINE HI-FORCE PARTS.

ITEM NO.	PART NUMBER	DESCRIPTION	QTY.	SPARE PARTS	REVISION
1	TTC045SA002	FEMALE SWIVEL CONNECTOR	1	X	1 5973
2	HF7	1/4" NPT MALE ADAPTOR	2	X	2 6186
3	CF4F	COUPLER	1		3 6265
4	CM4F	COUPLER	1		4
5	FAS006MA005	SKT FLAT POINT SCREW M6 x 5 (LOCKING)	1	X	5
6	VRA280GB001	SPRING SEAT	1	X	6
7	SPC005CA008	COMPRESSION SPRING	1	X	7
8	BAC005SN001	3/16" BALL CHROME STEEL	1	X	8
					9
					10
					11
					12
					13
					14
					15
					16
					17
					18
					19
					20

NOTE:

- ALL PARTS AVAILABLE TO ORDER AS AN INDIVIDUAL SPARE PART UNLESS MARKED X.



IMPORTANT
WHEN ORDERING SPARES YOU MUST STATE THE FULL PART NUMBER AND THE PRODUCT SERIAL NUMBER - FROM THE LABEL TO PROTECT YOUR WARRANTY ALWAYS USE GENUINE HI-FORCE PARTS.